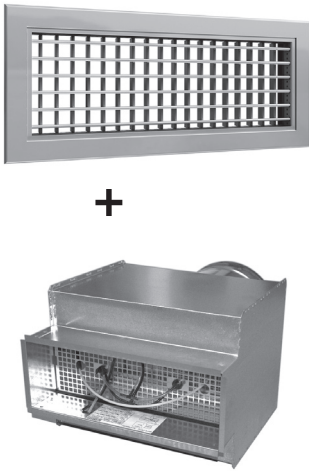


Grilles K-value

AD21

AD21 + VBA Supply

AD21 + VBA Supply	Dim	Connection		
		1 = Back	2 = Side	4 = Top
 <p>2 measuring tubes (Black = high pressure)</p>	200 x 100	7.6	7.4	7.5
	300 x 100	12.3	11.9	11.7
	400 x 100	15.9	14.0	14.8
	500 x 100	20.4	20.7	21.0
	300 x 150	17.9	17.1	18.2
	400 x 150	26.0	25.2	24.8
	500 x 150	31.4	31.3	31.7
	600 x 150	38.2	38.2	38.2
	400 x 200	37.1	36.3	38.2
	500 x 200	44.5	43.2	43.0
	600 x 200	56.5	54.5	54.8

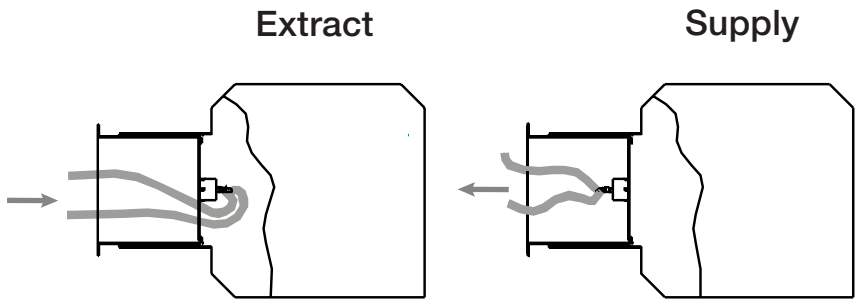
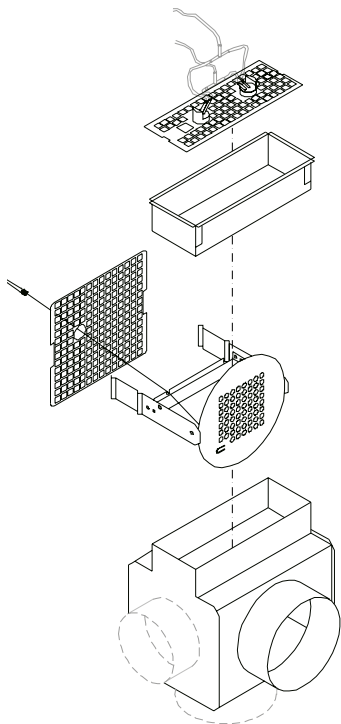
Calculation of air volumes:

$$q_v [l/s] = k \times \sqrt{\Delta P \cdot l}$$

$$q_v [m^3/h] = k \times \sqrt{\Delta P \cdot l} \times 3.6$$

Method accuracy:

+/- 10% ($\Delta P_i \geq 5 \text{ Pa}$)



VBA is delivered for supply air - turn the measuringplate for extract air.