

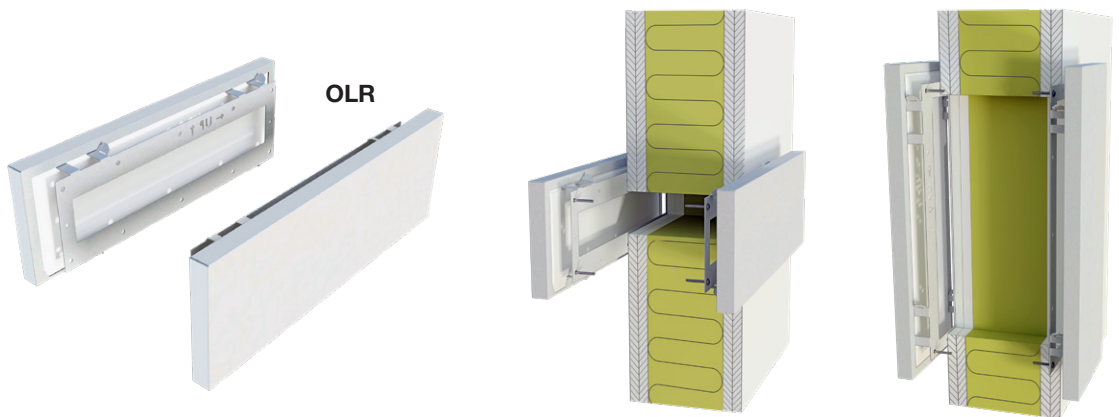
Lindab **OLR**

Overflow unit - Installation instruction
Overtryksarmatur - Installations vejledning
Överluftsdon - Montageinstruktion
Siirtoilmalaite - Asennusohje
Nachströmventil - Montageanleitung
Valvola di controllo della pressione - Istruzioni di montaggio
Bouche de transfert - Instructions de montage
CZ - Overflow unit - Installation instruction

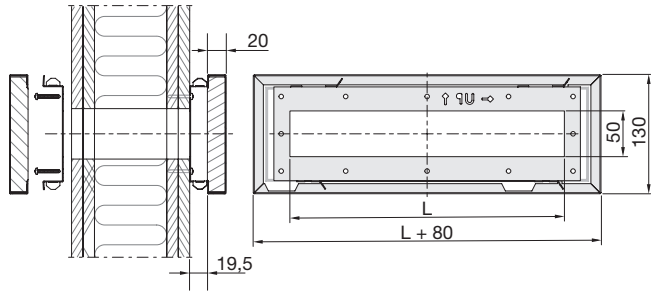


OLR

Overview
 Oversigt
 Översikt
 Yleiskatsaus
 Übersicht
 Panoramica
 Aperçu
Overview-CZ



Dimensions
 Dimensioner
 Dimensioner
 Mitat
 Dimensionen
 Dimenzioni
 Dimensions
 Rozměry

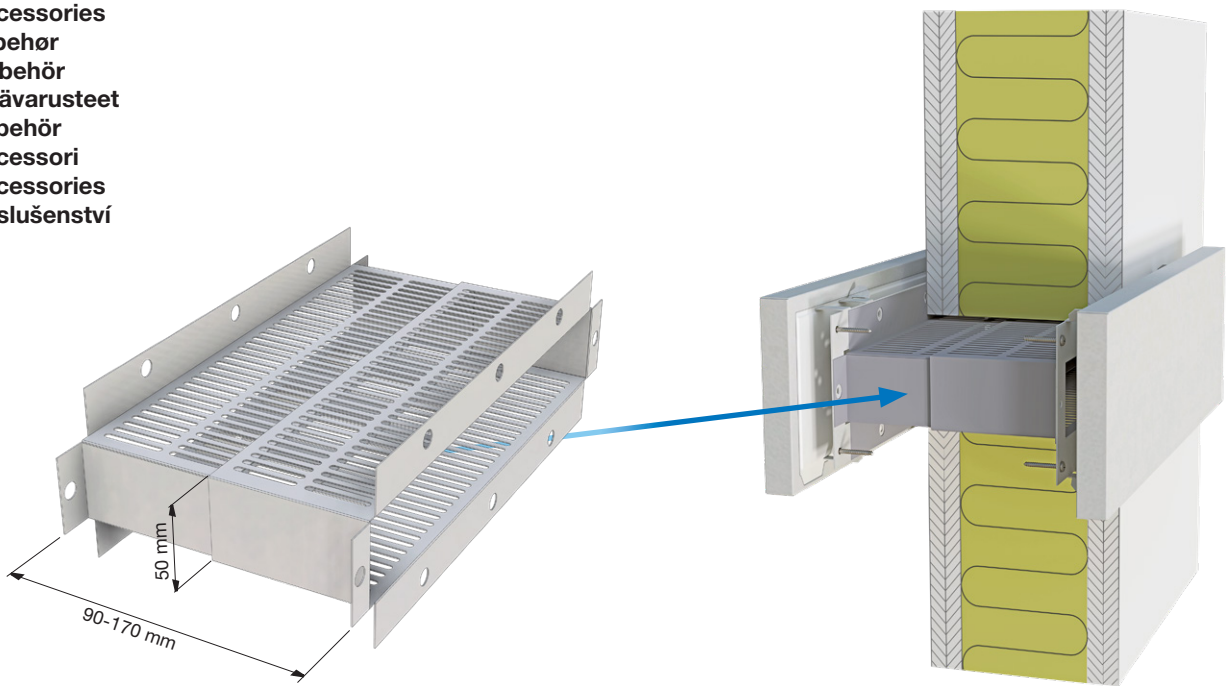


OLR	L [mm]	m [kg]
300	300	1,5
500	500	2,3
700	700	3,0
850	850	3,6

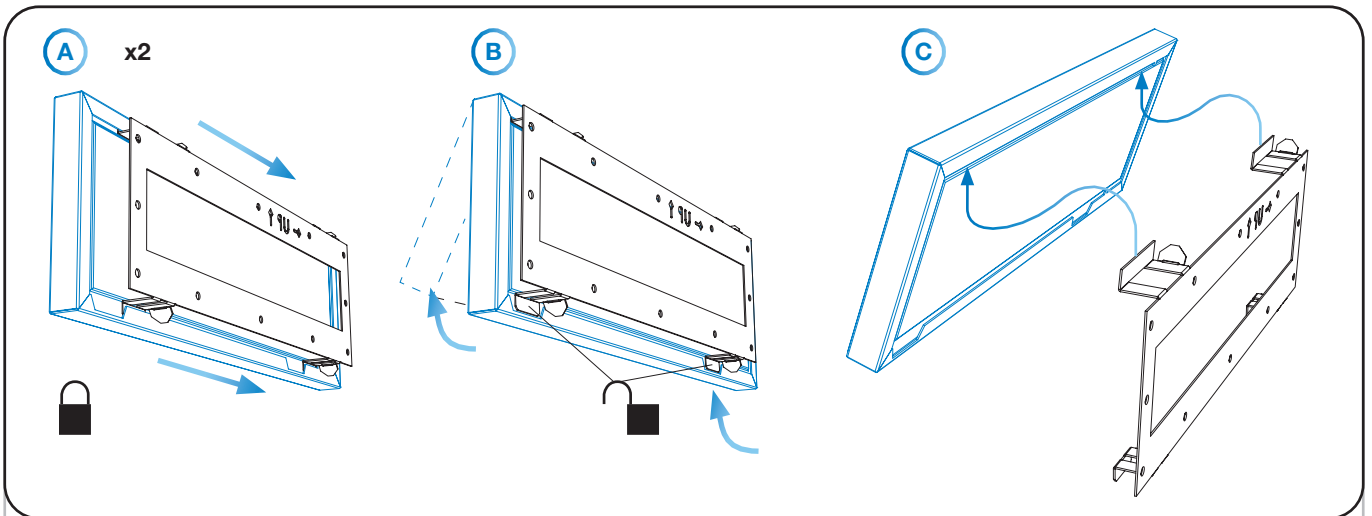
Cutout dimension / Udkæringsmål / Utskärningsmått
 Asennusaukko / Ausschnittsmaß / Dimensione del foro /
 Dimension d'ouverture / Velikost výřezu ve stěně

L+5 x 55 mm

Accessories
 Tilbehør
 Tillbehör
 Lisävarusteet
 Zubehör
 Accessori
 Accessories
 Příslušenství

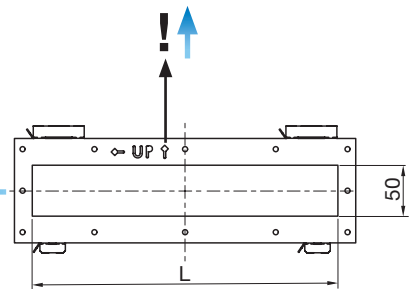
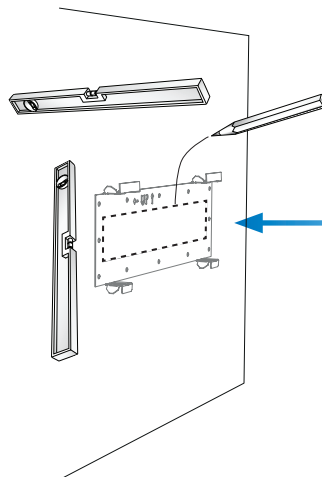
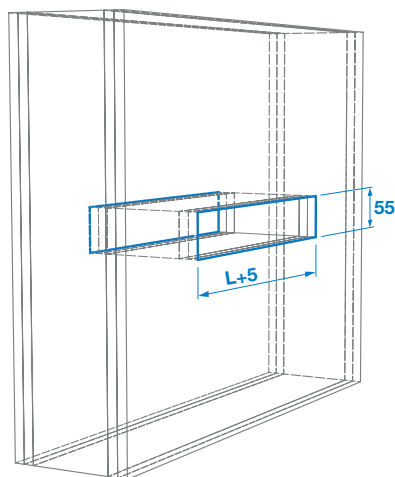
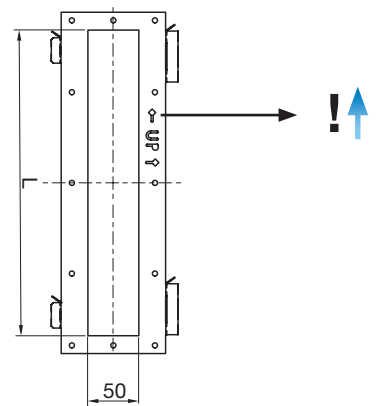
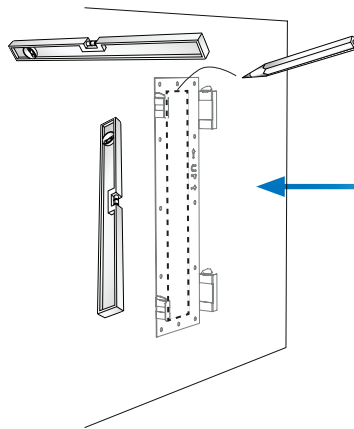
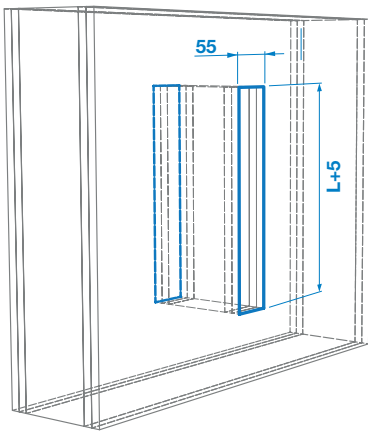


OLR



Cutout dimension
Udskæringsmål
Utskärningsmått
Asennusaukko
Ausschnittsmaß
Dimensione del foro
Dimensions d'ouverture
Velikost výřezu ve stěně

Cutout dimension / Udskæringsmål / Utskärningsmått
 Asennusaukko / Ausschnittsmaß / Dimensione del foro /
 Dimension d'ouverture / Velikost výřezu ve stěně
L+5 x 55 mm

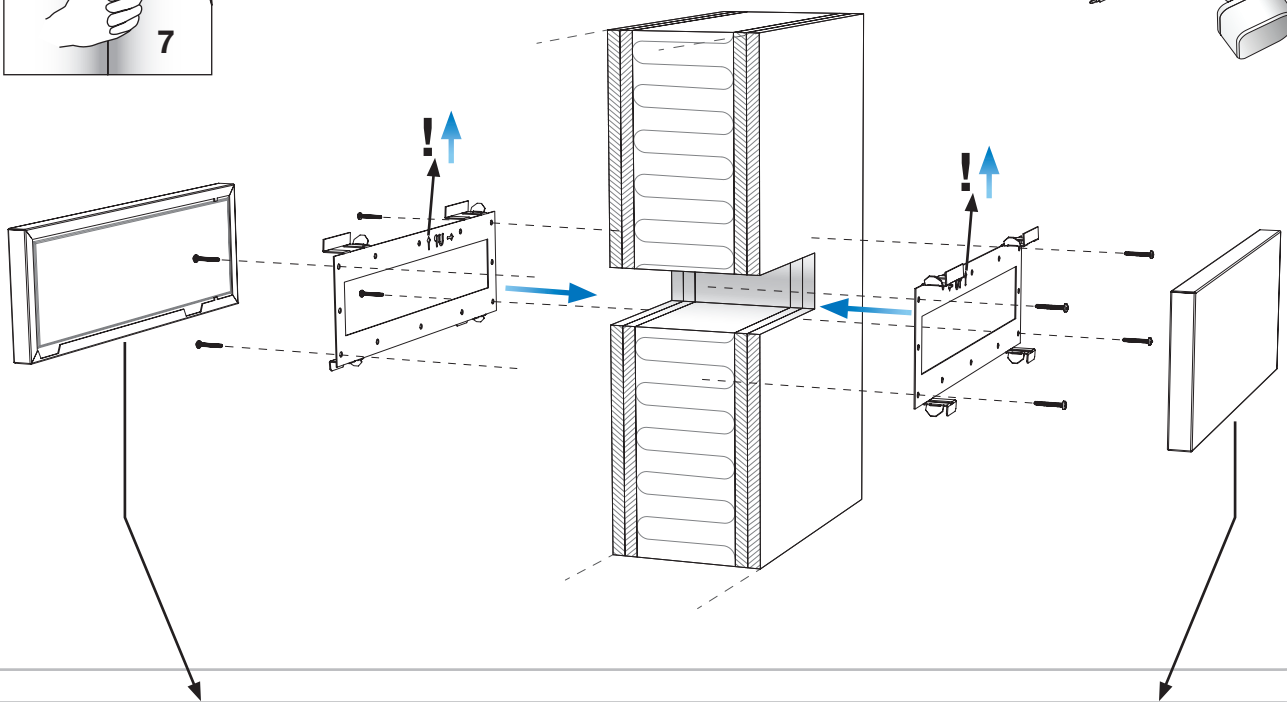
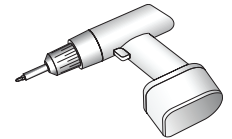
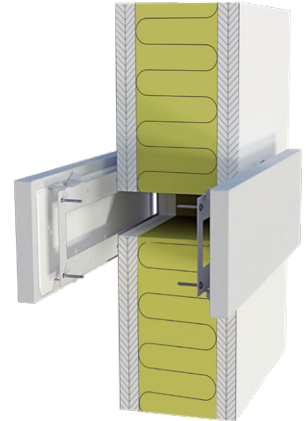


OLR

Horizontal installation
 Vandret montering
 Horisontell installation
Vertical installation -FIN
 Horizontale Montierung
 Installazione orizzontale
Horizontal installation -CZ

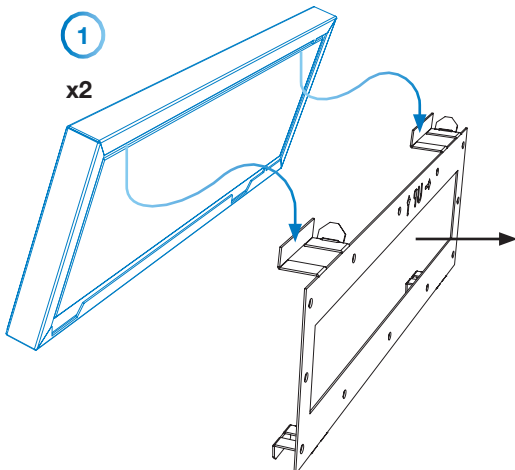


(A) + (B) + (C)

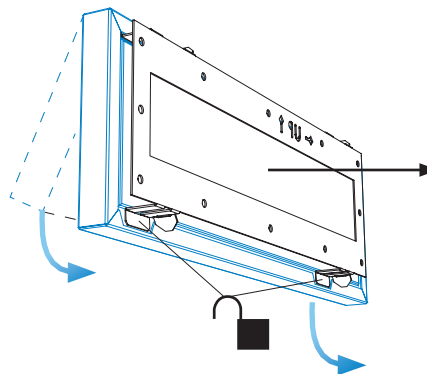


1

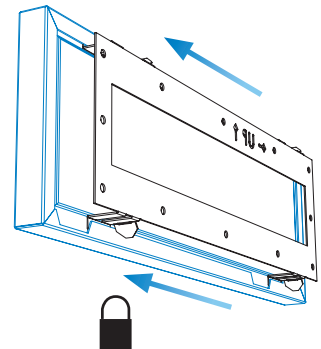
x2



2

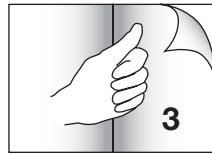


3

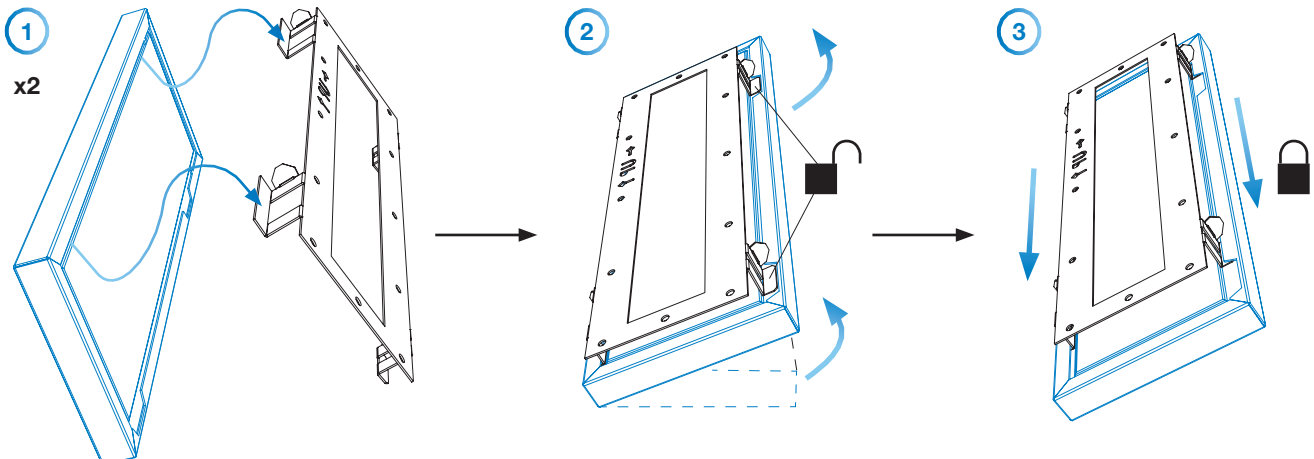
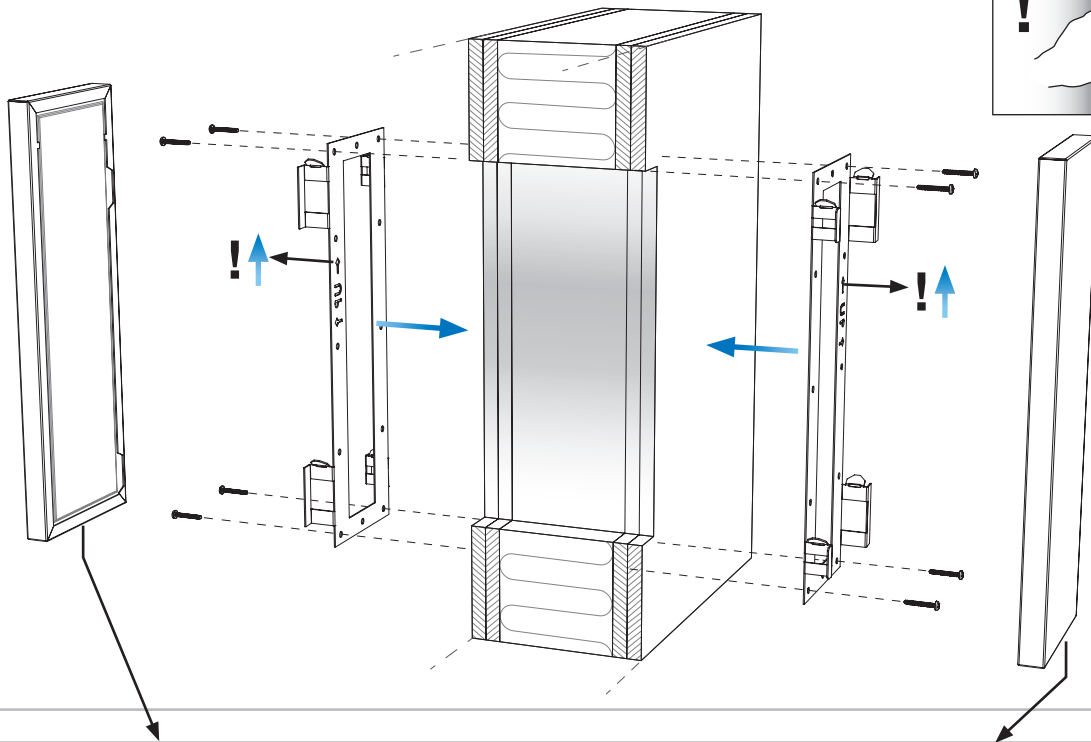


OLR

Vertical installation
 Lodret montering
 Vertikal installation
Vertical installation -FIN
 Vertikale Montierung
 Installazione verticale
 Installation verticale
Horizontal installation -CZ

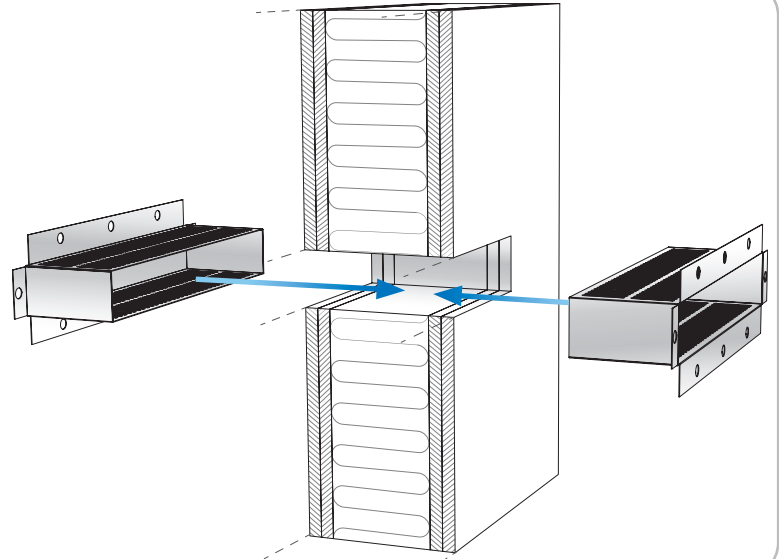
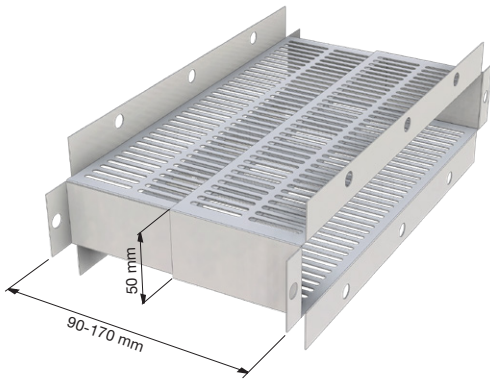


A + B + C

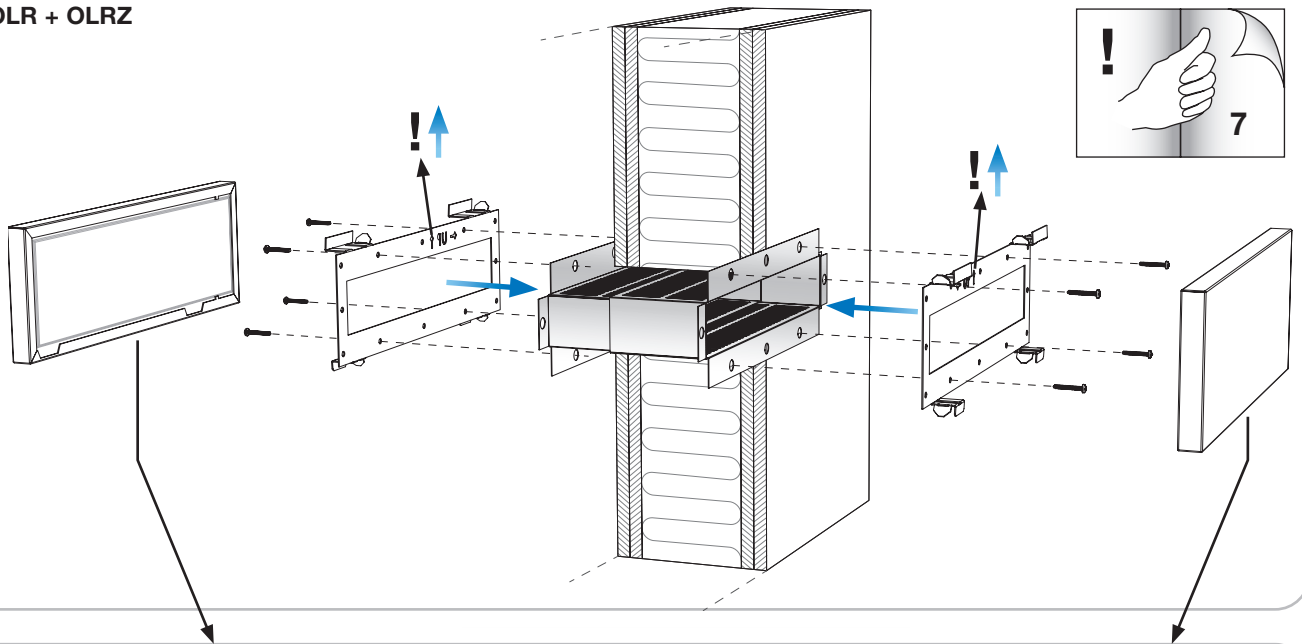


OLR - OLRZ

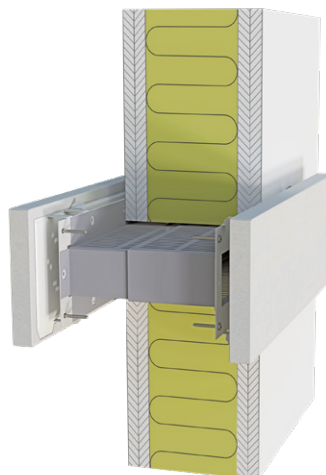
OLRZ



OLR + OLRZ



1 + 2 + 3



OLR

Important
Viktigt
Viktig
Tärkeä -FIN
Wichtig
Importante
Important
Important -CZ

- UK** - Number of screws depend on which variant of the product that is installed. The type of wall is also important, select the right type of screws. Contact your local Lindab dealer for further information.
- DK** - Antal af skruer afhænger af, hvilken variant af produktet som installeres. Vægtypen er ligeledes af betydning, vælg den rigtige type skruer. Kontakt din lokale Lindab forhandler for yderligere information.
- SE** - Number of screws depend on which variant of the product that is installed. The type of wall is also important, select the right type of screws. Contact your local Lindab dealer for further information.
- FI** - Number of screws depend on which variant of the product that is installed. The type of wall is also important, select the right type of screws. Contact your local Lindab dealer for further information.
- DE** - Number of screws depend on which variant of the product that is installed. The type of wall is also important, select the right type of screws. Contact your local Lindab dealer for further information.
- IT** - Number of screws depend on which variant of the product that is installed. The type of wall is also important, select the right type of screws. Contact your local Lindab dealer for further information.
- FR** - Number of screws depend on which variant of the product that is installed. The type of wall is also important, select the right type of screws. Contact your local Lindab dealer for further information.
- CZ** - Number of screws depend on which variant of the product that is installed. The type of wall is also important, select the right type of screws. Contact your local Lindab dealer for further information.

Maintenance
Vedligeholdelse
Underhåll
Huolto
Wartung
Manutenzione
Entrtien
Údržba

- UK** - The sound attenuation baffles on both sides of the wall can be removed to enable cleaning of internal parts. The visible parts of the unit can be wiped with a damp cloth.
- DK** - Frontplade incl. lydæmpende materiale kan fjernes på begge sider af væggen, for at rengøre indvendige dele. De synlige dele af armaturet kan rengøres med en fugtig klud.
- SE** - Ljuddämpningsbafflarna på båda sidorna av väggen kan demonteras för rengöring av invändiga delar. De synliga delarna av donet kan torkas av med en fuktig trasa.
- FI** - Vaimennuslevyt ovat irrotettavissa puhditusta varten. Näky-vät osat voidaan pyyhkiä kostealla kankaalla.
- DE** - Die Frontplatte kann entfernt werden, um die Reinigung von internen Teilen zu ermöglichen. Die sichtbaren Teile des Auslasses können mit einem feuchten Tuch abgewischt werden.
- IT** - Possibilità di rimuovere il frontale per la pulizia dei componenti interni. La valvola può essere pulita con un panno umido.
- FR** - Les façades de chaque coté du mur peuvent être démon-tées pour permettre un nettoyage des pièces intérieures. Les parties visibles peuvent être nettoyées avec un chiffon humide.
- CZ** - Čelní desky lze odmontovat a vzniklým otvorem vyčistit vnitřní části ventilu. Čelní desky se očistí vlhkým hadrem.



Most of us spend the majority of our time indoors. Indoor climate is crucial to how we feel, how productive we are and if we stay healthy.

We at Lindab have therefore made it our most important objective to contribute to an indoor climate that improves people's lives. We do this by developing energy-efficient ventilation solutions and durable building products. We also aim to contribute to a better climate for our planet by working in a way that is sustainable for both people and the environment.

[Lindab | For a better climate](#)