



Lindab **Ductsuspensions & Supportsystems**

Product overview



We simplify construction

At Lindab we are driven by a strong desire to continuously generate improvements and to simplify construction. We do that by developing products and systems that are easy to use and energy efficient, together with industry-leading knowledge, support, logistics and efficient availability.

We want to simplify everything – from designing, ordering, delivery, goal achievement and installation to the entire way of doing business with us. By simplifying in every stage of the construction process, we also contribute to energy-efficiency.

A good thinking company

Good thinking is a deeply rooted philosophy that guides us in everything we do. We firmly believe that good thinking makes good solutions to the challenges we all face. Taking responsibility for what we do and how we do things is therefore important to us. Because good thinking is not only about making life easier and more comfortable for our customers and end users. It is also a matter of thinking in a global perspective, all the time. Knowing that we at Lindab are helping to make the world a better place.



Duct suspensions & Support systems

Lindab offers a range of products for suspension of circular and rectangular duct systems. This document presents our complete assortment of Duct suspensions & Support systems at Lindab. For detailed technical information and maximum recommended load that is guaranteed by Lindab, click on each product or go to our website www.lindab.com.

The suspensions have been tested to the breaking limit but the presented values in our technical documentation are based on when it start to deform with a safety factor and adapted to normal ventilation application.

Note that the recommended load in our technical documentation is stated for a single component and a system approach must be used by the designer.

For Lindab recommendations for mounting instructions of suspension of ventilation systems, click [here](#).



lindQST – Lindab Quick Selection Tool

[lindQST](#) is an advanced web tool that makes the selection of our solutions quick and simple. With lindQST all documentation is made available directly on the web. That means consultants, installers and architects always have access to the latest documentation, installation instructions and product images etc. lindQST is a unique online tool where you can simulate your room in the Indoor Climate Designer, keep track of your projects and share it with your business partners etc. lindQST provides a simple shortcut to Lindab's material and is a tool that speeds up and simplifies the daily work. All information is just a mouse-click away.



Product overview

The products shown below is our complete range of Duct suspensions & Support systems.

Duct suspension



EB



FB



OSM



OSB 60



S4B

Click on the product for link to detailed technical information, or visit www.lindab.com

Channels and channel brackets



CEC



CL



CLS



HHB



RPA



RPC

Circular suspension



DH



DHC



DRSN



DRSNR



MDH



RK



RK2



UVH25
UVH30



UV25
UV30

For Lindab's recommendations for mounting instructions of suspension of ventilation systems, click [here](#).

Product overview

The products shown below is our complete range of Duct suspensions & Support systems.

Brackets



BCT/BC



VIPPB



WCL



WCLGM



WCLT



WCMP



WCRVG



WCVG



WCVN



WCZ

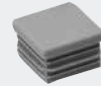


WCZGM

Frame support system



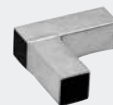
GMATTA
GKUDDE



SBEI



SBEU



SSB



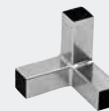
SSCR



SSF



SSFA



SSH



SSKV



SSMS



SSR



SSSR



SSTP



SSVA

Click on the picture for link to detailed technical information and accessories, or visit www.lindab.com

Frame Support System

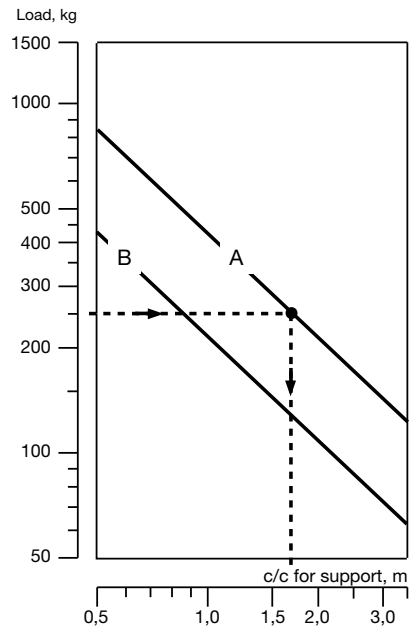
Information and recommendation for our frame support stand system

Consisting of square tubes and a number of parts which are used to create a range of different structures, this stand system is made up of square tubes in accordance with DIN 2395 and materials in accordance with SIS 1312. The load diagram indicates the maximum permissible load with regard to flex sensing and does not take deflection into account.

The diagram indicates the maximum permissible load for different distances between the supporting legs without exceeding the limit load in accordance with the Swedish Fatigue Design Code for Welded Structures, StBK-N1, static load. This load diagram is applicable to all horizontal tubes with their associated supports, provided that there are no lateral forces

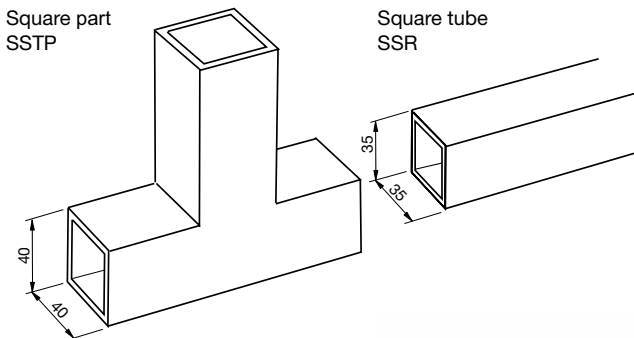
Tubes are sendzimir zink plated, FZS, parts are electro zink plated, FZB. Most tubes and parts are also available in hot dipped galvanized steel, FZV.

FSZ and FZB complies with the requirements for corrosivity class C1, and FZV with C4.



A = Extended, evenly distributed static load – tubes 35 x 35 x 1,5
 B = Centrally applied static spot load – 35 x 35 x 1,5

Example
 Load 250 kg, distributed evenly
 Stand tube 35 x 35 gives a max c/c between supporting legs of 1,7 m





Most of us spend the majority of our time indoors. Indoor climate is crucial to how we feel, how productive we are and if we stay healthy.

We at Lindab have therefore made it our most important objective to contribute to an indoor climate that improves people's lives. We do this by developing energy-efficient ventilation solutions and durable building products. We also aim to contribute to a better climate for our planet by working in a way that is sustainable for both people and the environment.

[Lindab | For a better climate](#)