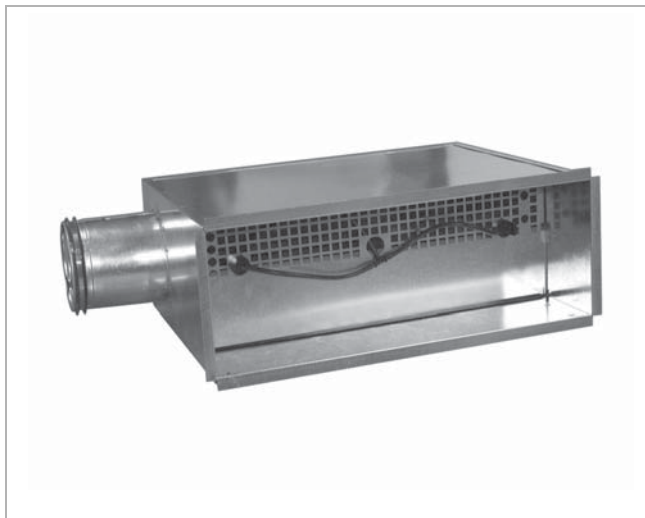
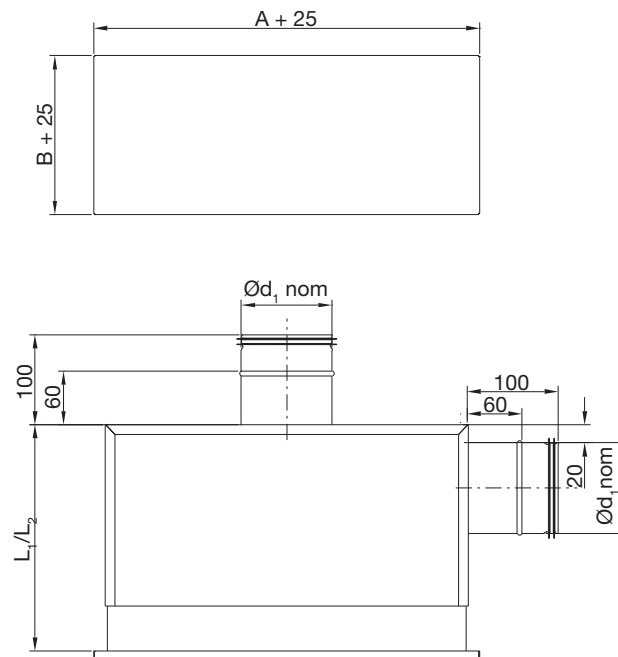


# Plenum box

# WB



## Dimensions



## Description

WB is a plenum box for supply air intended to achieve a stable flow to rectangular front plates or grilles. WB is equipped with an adjustment damper and pressure measuring device. The plenum box can be connected from the side or the back. The adjustment damper is operated from the front of the box by means of a graduated handle with integrated locking mechanism.

WB is equipped with a telescopic connection that can be adjusted up to 50 mm, which provides flexibility during the installation phase. WB has a maximum width of 500 mm, which ensures that you can install the box in a standard wall structure with a centre distance of 600 mm between the plasterboard struts.

- Telescopic function
- Easy-to-detach face plate for access to duct
- Same box used for all front types

## Materials and finish

Box, plenum plate and damper are made of hot-galvanised steel plate.

## Order details

See section on wall diffusers.

A x B	Ød <sub>1</sub> nom	A	B	Back L <sub>1</sub>	Side L <sub>2</sub>	Weight Kg
300 x 100	80	300	100	240-290	280-330	2,5
400 x 150	100	400	150	240-290	300-350	3,5
500 x 150	125	500	150	240-290	325-375	4,3
500 x 200	160	500	200	240-290	360-410	5,5
500 x 300	200	500	300	240-290	400-450	7,4