

Plenum box

VBA



Description

VBA is a plenum box for supply and exhaust air intended to achieve a stable flow to a rectangular grille or other types of face plates. VBA is equipped with an adjustment damper and pressure measurement device. The plenum box can be connected from the side, the top or the back. The adjustment damper is operated from the front of the box by means of a graduated handle with integrated locking mechanism. VBA is equipped with a telescopic connection for easy installation. The same face plate and telescope are used as for WB boxes.

- Can be used for both supply and extract air
- Easy-to-detach face plate for access to duct
- Same box used for all front types

Materials and finish

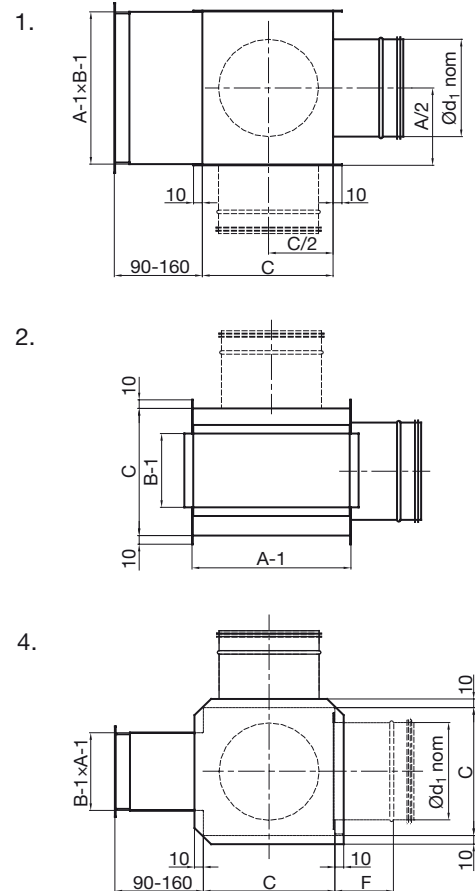
Box, plenum plate and damper are made of hot-galvanised steel plate.

Order code

Product	VBA	a	bbb x ccc
Type	VBA		
Connection			
1 - Back connection			
2 - Side connection			
4 - Top connection			
Size			
A - Dimension			
B - Dimension			

Example: VBA-2-500-200

Dimensions



A x B	Ød ₁ nom	C mm	F mm
200 x 100	125	165	90
300 x 100	160	200	110
400 x 100	160	200	110
500 x 100	200	240	130
600 x 100	250	290	155
800 x 100	250	290	155
1000 x 100	250	290	155
300 x 150	200	240	130
400 x 150	250	290	155
500 x 150	250	290	155
600 x 150	250	290	155
800 x 150	315	355	190
1000 x 150	315	355	190
300 x 200	250	290	155
400 x 200	250	290	155
500 x 200	315	355	190
600 x 200	315	355	190
800 x 200	315	355	190
1000 x 200	315	355	190
600 x 300	400	440	215