

Plenum box

MB



Description

MB is a plenum box for supply and extract air, intended to achieve a stable airflow into diffusers, air flow measurement and balancing and also to attenuate sound from the duct system.

MB is available with several damper options and has small overall dimensions to ease up installation and handling.

Damper type B is an unique linear cone damper which allows to balance with a high pressure drop over the box with low sound generation. Furthermore the construction of the damper gives an accurate and reliable measurement.

Damper type B is available for both supply and extract and has a readable K-value scale and can therefore be pread-justed before the final balancing. Also available as VAV damper in plenum box type MBV.

Damper type C and E are with rotating blade dampers for respectively supply and extract. Typically used in applications that don't require a high balancing pressure in the plenum box.

If the MB box is used without damper for supply air, it is necessary to install distribution filter PP. This distribution filter is standard in the MBC box.

- Small dimensions and simplified installation.
- High capacity and low sound.
- Several damper options for all applications.
- Prepared for future system changes.

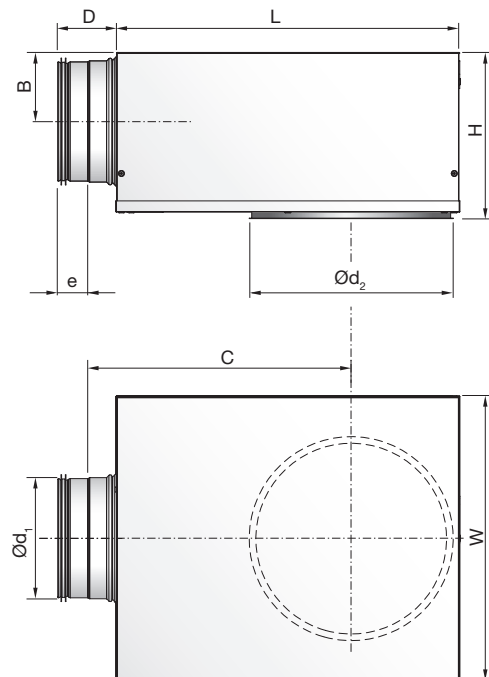
Order code

Product	MB	a	bbb	ccc	d
Type	MB				
Damper	B = Linear cone damper C = Blade damper supply E = Blade damper extract				
Duct connection Ød₁	Ø100-315				
Diffuser dimension Ød₂	Ø100-400				
Function (Only for B damper)	S = Supply air E = Extract				

Example 1: MBB-100-160-S

Example 2: MBC-125-200

Dimensions



Ød ₁ [mm]	Ød ₂ [mm]	B	C	D	e	H	L	W	m
100	100	62	245	78	40	163	310	260	2.6
100	125	62	245	78	40	163	310	260	2.6
100	160	62	245	78	40	163	310	260	2.6
125	125	75	291	78	40	188	376	310	3.7
125	160	75	291	78	40	188	376	310	3.7
125	200	75	291	78	40	188	376	310	3.7
160	160	92	352	78	40	222	459	380	5.5
160	200	92	352	78	40	222	459	380	5.5
160	250	92	352	78	40	222	459	380	5.5
200	200	112	425	78	40	263	565	460	7.3
200	250	112	425	78	40	263	565	460	7.3
200	315	112	425	78	40	263	565	460	7.3
250	250	137	514	118	60	313	698	540	10.6
250	315	137	514	118	60	313	698	540	10.6
250	400	137	514	118	60	313	698	540	10.6
315	315	170	675	118	60	378	858	540	13.5
315	400	170	675	118	60	378	858	540	13.5

Maintenance

The damper can be removed in connection with cleaning of the internal parts of the duct.

Materials and finish

Material: Galvanised steel
Standard Colour: Galvanized steel

The plenum box is available in other colours. Please contact Lindab's sales department for further information.

Plenum box

MB

Technical data

Sound attenuation ΔL

Sound attenuation ΔL of MBB-S / MBB-E / MBC / MBE + diffuser from duct to room, including end reflection, see example in table below.

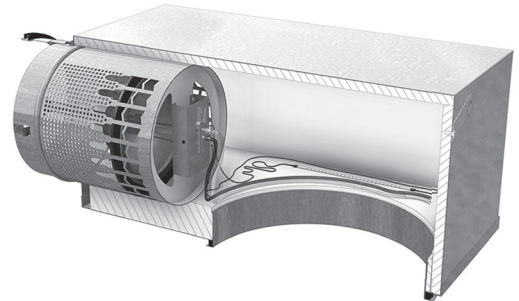
For other diffusers and plenum box variants, go to www.lindQST.com. Sound attenuation values for the chosen diffuser and plenum box variant can be found here.

Example in Table below: PCA + MBB-S.

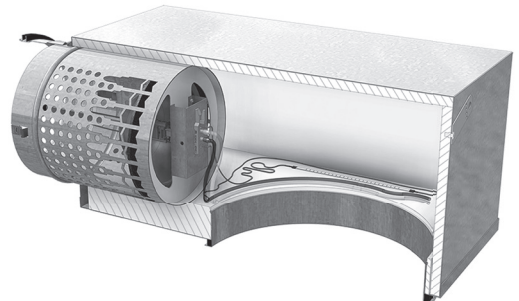
MBB-S/-E		Centre frequency Hz							
$\varnothing d_1$	$\varnothing d_2$	63	125	250	500	1K	2K	4K	8K
100	100	18	17	8	20	19	20	19	23
100	125	19	16	7	19	18	18	18	21
100	160	21	16	5	15	17	18	16	19
125	125	18	13	9	20	13	19	18	19
125	160	12	13	8	19	13	16	17	19
125	200	16	11	5	16	13	15	15	17
160	160	17	17	11	19	18	17	20	20
160	200	14	14	7	21	15	16	18	19
160	250	15	15	5	17	13	15	16	18
200	200	15	10	6	16	17	15	19	18
200	250	12	9	5	14	17	15	17	17
200	315	12	7	4	11	15	14	16	15
250	250	14	8	8	14	16	17	17	18
250	315	12	6	6	15	15	15	16	17
250	400	13	5	4	13	14	14	15	15
315	315	7	9	8	14	17	16	17	21
315	400	7	8	8	12	16	16	16	18

MB + Damper

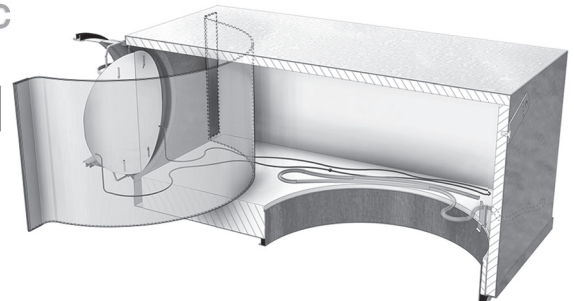
MBB-S



MBB-E



MBC



MBE

