

Perforated diffuser - corner

CQA



Description

Comdif CQA is a semicircular perforated displacement diffuser for corner installation. Behind the perforated front plate, CQA is equipped with individually adjustable nozzles, making it possible to alter the geometry of the near zone. The diffuser can be turned and has a circular duct connection (MF measure), so the diffuser can be connected at the top or bottom. The diffuser is suitable for the supply of large volumes of moderately cooled air.

- The diffuser is suitable for the supply of large volumes of air.
- The geometry of the near zone can be adjusted using adjustable nozzles
- Duct covers, plinths and wall brackets can be supplied as accessories

Maintenance

The front plate can be removed from the diffuser, making it possible to clean the nozzles. The visible parts of the diffuser can be wiped with a damp cloth.

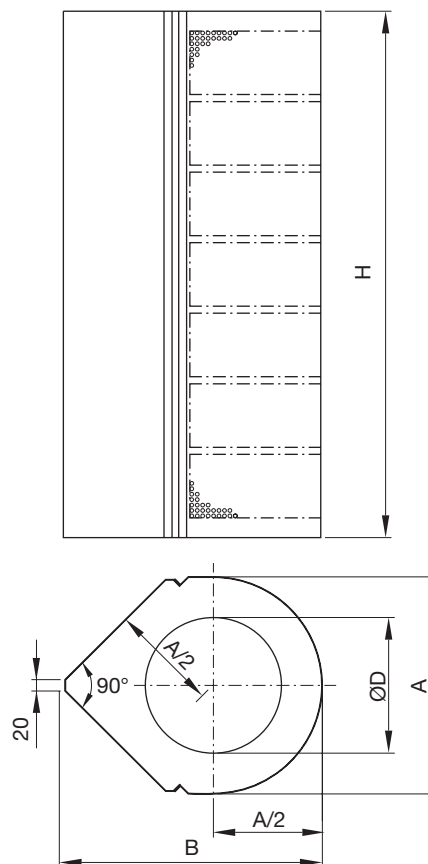
Order code

Product	CQA	aaaa
Type		
Size		

Order - accessories

Cover:	CQAZ - 0 - size
Plinth:	CQAZ - 2 - size
Wall bracket:	CQAZ - 3 - size

Dimensions



Size	A mm	B mm	ØD mm	H mm	Weight kg
1207	250	302	125	710	8,00
1607	300	362	160	710	9,00
2010	330	398	200	970	14,0
2510	400	483	250	970	20,0
3115	520	628	315	1490	40,0
4020	630	760	400	2010	64,0

Accessories

Can be supplied with duct cover, plinth and bracket for wall mounting.

Materials and finish

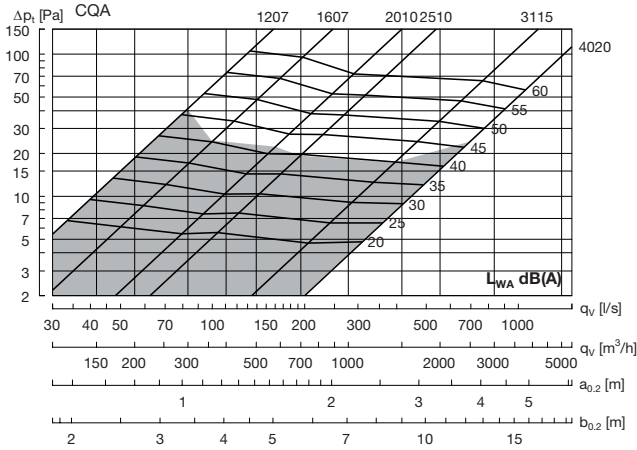
Diffuser:	Galvanised steel
Nozzles:	Black plastic
Front plate:	1 mm galvanised steel
Standard finish:	Powder-coated
Standard colour:	RAL 9010 - white, gloss 30

The diffuser is available in other colours. Please contact Lindab's sales department for further information.

Perforated diffuser - corner

CQA

Technical data



Recommended maximum volume flow.

The near zone is given at an under-temperature of -3 K to a maximum terminal velocity of 0.20 m/s.

Conversion to other terminal velocities - see table 1, correction of the near zone for -3 K and -6 K respectively.

Sound effect level

Sound effect level L_W [dB] = $L_{WA} + K_{ok}$

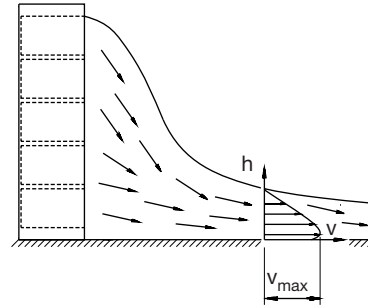
Size	Centre frequency Hz							
	63	125	250	500	1K	2K	4K	8K
1207	8	-3	3	0	-7	-15	-27	-35
1607	11	-1	5	-2	-8	-16	-28	-34
2010	11	0	5	-2	-7	-16	-28	-40
2510	11	2	5	-2	-7	-15	-29	-39
3115	11	3	5	-2	-8	-17	-29	-38
4020	12	4	2	0	-8	-16	-30	-41

Sound attenuation

Sound attenuation ΔL [dB] including end reflection.

Size	Centre frequency Hz							
	63	125	250	500	1K	2K	4K	8K
1207	18	13	5	3	3	2	2	2
1607	15	11	3	1	2	2	2	2
2010	11	7	3	8	5	5	7	7
2510	10	6	5	7	5	4	4	5
3115	9	6	5	4	4	5	5	7
4020	8	5	2	3	2	3	3	3

Nearzone



Large diffusion (factory setting)

Small diffusion

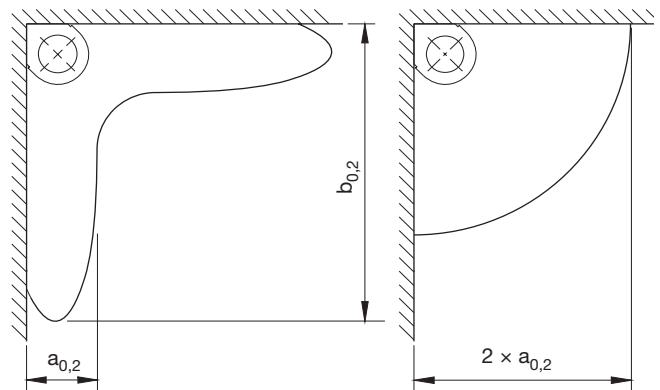


Table 1 Correction of the near zone ($a_{0,2}$, $b_{0,2}$)

Under-temperature $T_f - T_r$	Maximum velocity m/s	Mean velocity m/s	Correction factor
-3K	0.20	0.10	1.00
	0.25	0.12	0.80
	0.30	0.15	0.70
	0.35	0.17	0.60
	0.40	0.20	0.50
-6K	0.20	0.10	1.20
	0.25	0.12	1.00
	0.30	0.15	0.80
	0.35	0.17	0.70
	0.40	0.20	0.60