

Wall grille

C20/C21



Description

C20 is a rectangular aluminium grille with adjustable horizontal bars. C21 is also equipped with vertical directional bars for regulation of dispersal patterns. C20/C21 can be used for supply air and come as standard with springs for installation in plenum boxes type VBA and WB. In the product photo the grille is shown with a VBA box.

Maintenance

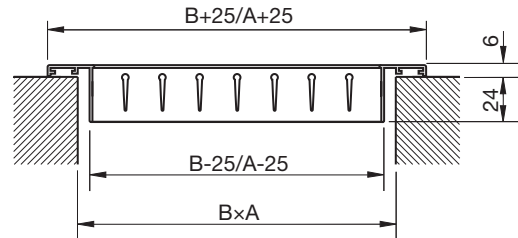
The grille should be removed to gain access to the plenum box or duct. The external parts should be wiped with a damp cloth.

Ordering example

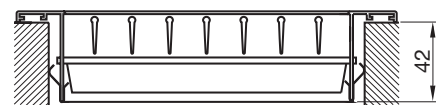
Product	C20/C21	aaa	bbb
Type			
A - Measure			
B - Measure			

Dimensions

C20



C21



A x B mm	Free area F(m ²)	Weight kg
200 x 100	0,0105	0,3
300 x 100	0,0164	0,4
400 x 100	0,0225	0,5
500 x 100	0,0283	0,7
300 x 150	0,0275	0,6
400 x 150	0,0375	0,7
500 x 150	0,0475	1,0
600 x 150	0,0574	1,2
400 x 200	0,0525	0,9
500 x 200	0,0664	1,4
600 x 200	0,0804	1,6

Materials and finish

Grille: Aluminium
 Standard finish: Natural anodized
 On request: RAL 9010, gloss 30

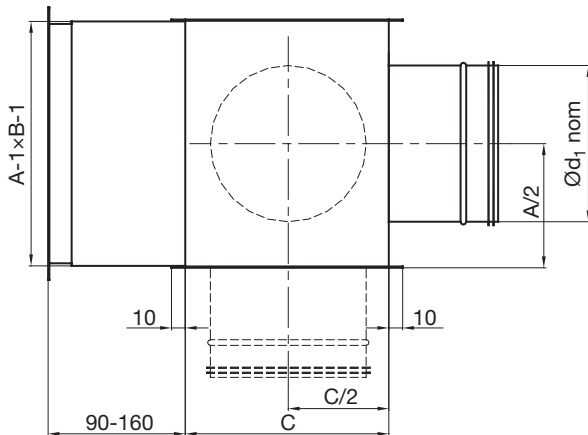
The grille is available in other colours. Please contact Lindab's sales department for further information.

Wall grille

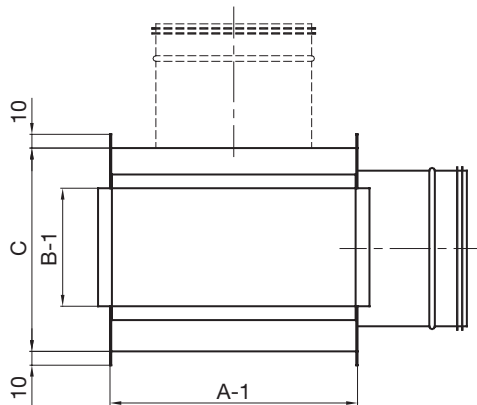
C20/C21

Dimensions

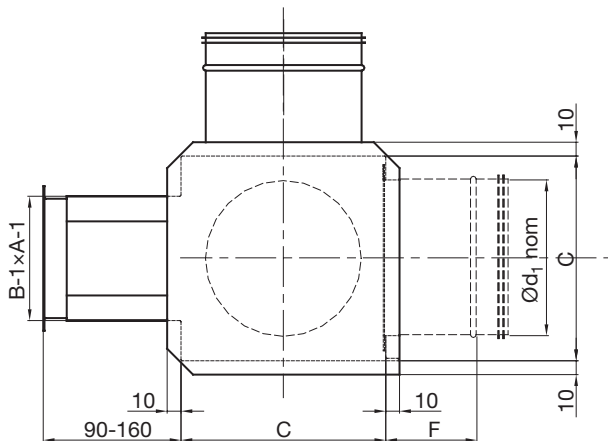
1:



2:



4:



A x B mm	Ød ₁ nom mm	C mm	F mm
200 x 100	125	165	90
300 x 100	160	200	110
300 x 150	200	240	130
400 x 100	160	200	110
400 x 150	250	290	155
400 x 200	250	290	155
500 x 100	200	240	130
500 x 150	250	290	155
500 x 200	315	355	190
600 x 150	250	290	155
600 x 200	315	355	190

Ordering example

Product	VBA	a	bbb	ccc
Type				
Connection	1 = back 2 = side 4 = Top			
A - Measure				
B - Measure				

Wall grille

C20/C21

Technical data

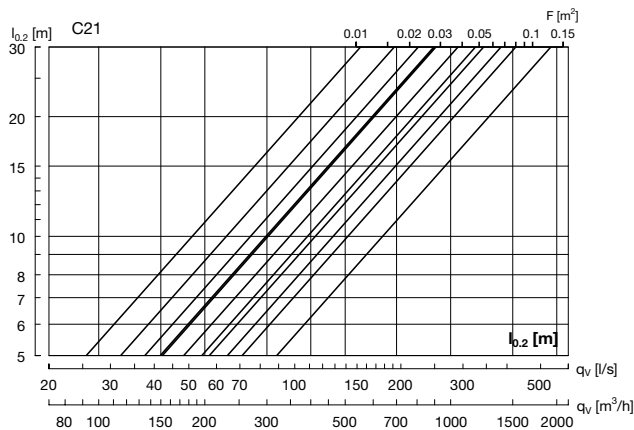
Capacity

Volume flow q_v [l/s] and [m³/h], total pressure loss Δp_t [Pa], throw $l_{0,2}$ [m] and sound level L_{WA} [dB(A)] can be seen in the diagrams.

Size.	Centre frequency Hz							
	63	125	250	500	1K	2K	4K	8K
Open damper	-3	-4	-3	-3	-4	-7	-17	-23
50 % open damper	-1	1	-2	-3	-4	-8	-17	-22
Closed damper	-2	0	-3	-3	-7	-9	-8	-10

Throw $l_{0,2}$

Throw $l_{0,2}$ [m] at an average speed of 0.2 m/s, 0° bar setting without ceiling effect (distance from diffuser to grille over 800 mm) can be seen in the diagrams. Correction for dispersal - see table below.



Correction of throw

Bar setting	45°	90°
Correction factor	0,8	0,5

Sound attenuation

The diffuser's sound attenuation function from duct to room, including end reflection - see table below

Size	Centre frequency Hz							
	63	125	250	500	1K	2K	4K	8K
200x100	25	20	12	10	6	12	12	12
300x150	16	12	8	10	10	11	11	12
300x100	23	19	11	10	8	12	10	12
400x150	14	10	8	10	11	12	10	12
400x200	15	11	9	8	8	11	12	12
400x100	21	17	10	10	8	11	11	12
500x200	13	10	9	8	8	9	10	11
500x150	15	11	9	8	8	11	10	10
500x100	20	16	9	9	8	13	11	11
600x200	13	10	9	8	8	9	11	11
600x150	14	10	8	9	8	10	10	11

Correction sound

Correction values for conversion of diagram data for connection from the side or top - see table below.

	C20/C21 + VBA-2 side	C20/C21 + VBA-4 Top
Open damper	+2 dB	+4 dB
50% Open damper	+1 dB	+1 dB
Closed damper	0 dB	0 dB

Correction of sound level at bars (dB) - see table below.

Bar setting	45°	90°
Correction factor	+3	+10

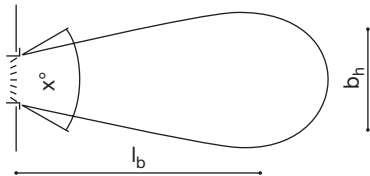
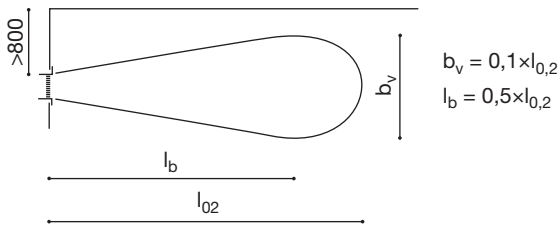
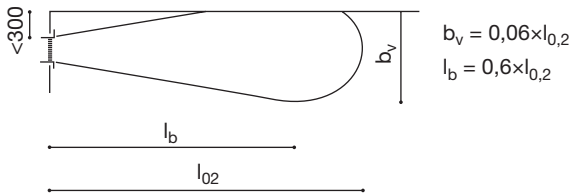


Wall grille

C20/C21

Technical data

Air jet dispersal



- $X = 0^\circ$: $b_h = 0.3 \times l_{0,2}$ $l_b = 0.5 \times l_{0,2}$
- $X = 45^\circ$: $b_h = 0.4 \times l_{0,2}$ $l_b = 0.5 \times l_{0,2}$
- $X = 90^\circ$: $b_h = 0.6 \times l_{0,2}$ $l_b = 0.5 \times l_{0,2}$

1

2

3

4

5

6

7

8

9

10

11

12

13

14

15

16

17

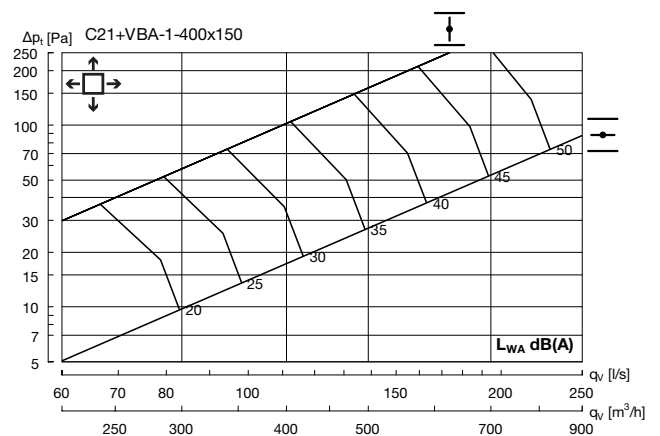
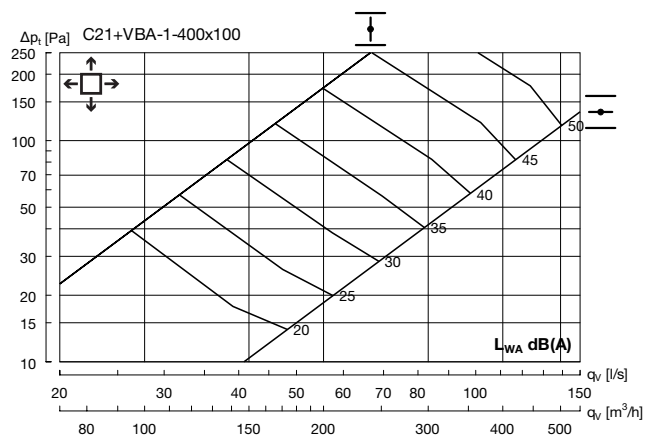
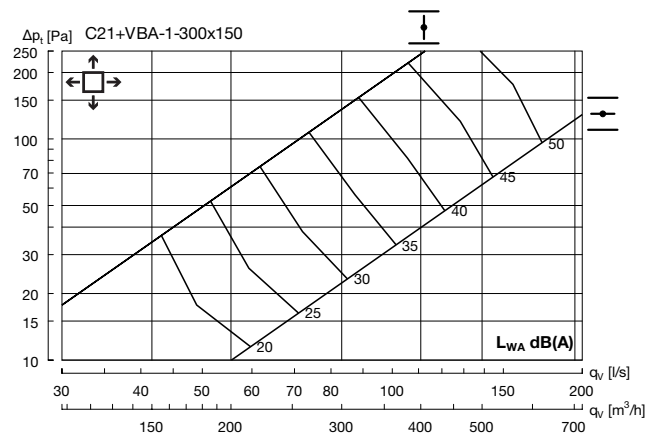
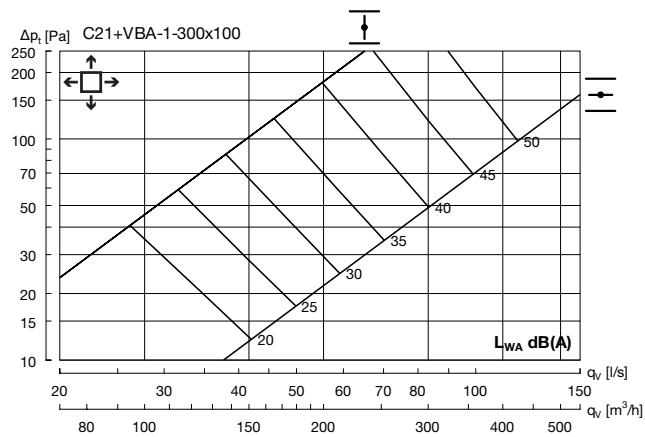
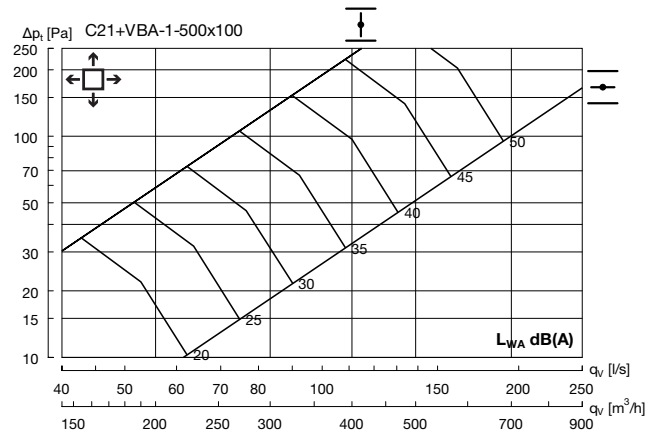
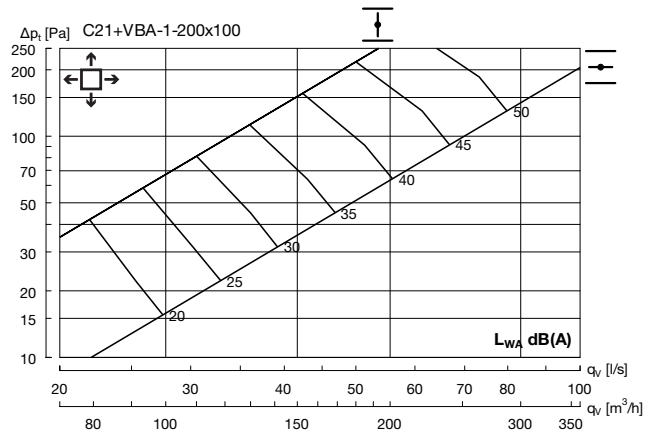
18

Wall grille

C20/C21

Technical data

Supply air



- 1
- 2
- 3
- 4
- 5
- 6
- 7
- 8
- 9
- 10
- 11
- 12
- 13
- 14
- 15
- 16
- 17
- 18

Wall grille

C20/C21

Technical data

Supply air

