



CELO

Installation instruction

Installationsvejledning

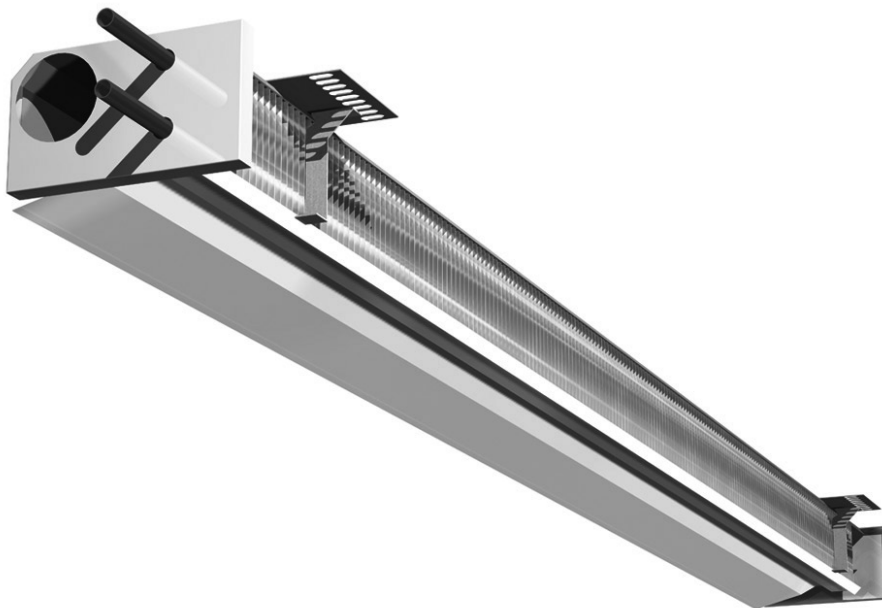
Montageanvisning

Asennusohje

Montageanleitung

Istruzioni di montaggio

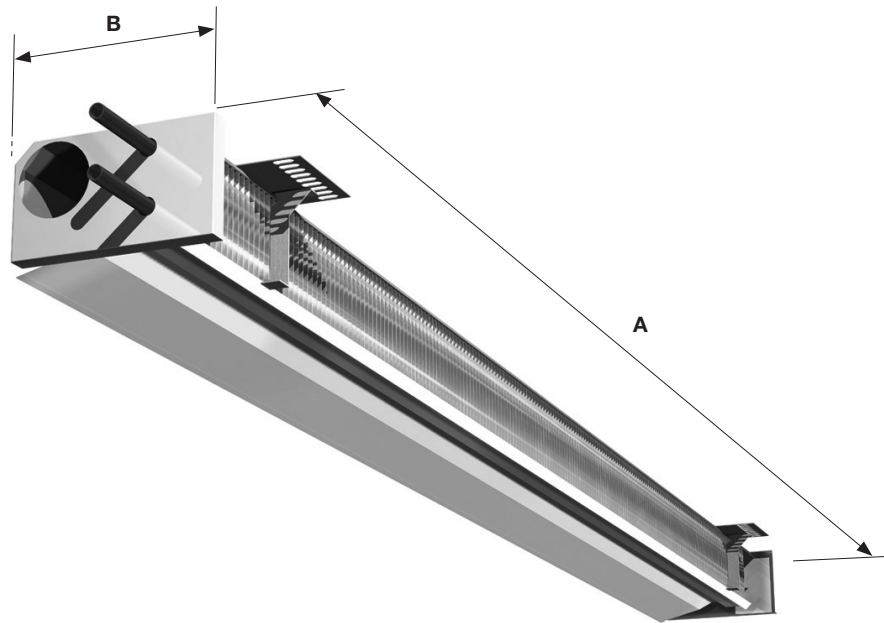
Instruction de montage



Installation instruction

Celo

Dimensions
Dimensioner
Dimensioner
Mitat
Abmessungen
Dimensioni
Dimensions



Celo is as standard delivered in steps of 0.1 m between 1.2 m -3.0 m (3,125 m).
 Celo leveres som standard i trin på 0,1 m mellem 1,2 m -3,0 m (3,125 m).
 Celo levereras som standard i steg på 0,1 m mellan 1,2 m -3,0 m (3,125 m).
 Celo vakiopituudet 1,2 - 3,0 m (3,125 m), jaotus 0,1 m.
 Celo ist als Standard in "steps" von 0,1 m zwischen 1,2 m -3,0 m (3,125 m) geliefert.
 Celo is as standard delivered in steps of 0.1 m between 1,2 m -3,0 m (3,125 m).
 Celo est disponible en standard au pas de 0.1 m de 1,2 - 3m.

Product	A mm	B mm	Kg / m
Celo	(1200 / / 3600 ln) - 8 mm	215	6.5

Symbols
Symboler
Symboler
Symbolit
Symbole
Simboli
Symbole



UK - Heavy Load - 2 man job. It is recommended to use a "lift" for mounting
DK - Tungt - 2 mands job. Det anbefales at bruge en "lift" til montering
SE - Tungt - 2 mans jobb. Det rekommenderas att använda en "hiss" för montering.
FI - Raskas työ - 2 henkilöä. It is recommended to use a "lift" for mounting.
DE - Schwere Last - Arbeit für zwei Personen. Es wird empfohlen, einen „Lift“ für die Montage zu verwenden.
IT - Pesante carico - Manipolazione da parte di due persone. Si consiglia di utilizzare un "lift" per il montaggio.
FR - Charge lourde - manutention à 2 personnes. Utilisation d'une nacelle recommandée.



UK - Hot water
DK - Varmt vand
SE - Varmt vatten
FI - Kuuma vesi
DE - Heißes Wasser
IT - Acqua calda
FR - Eau chaude

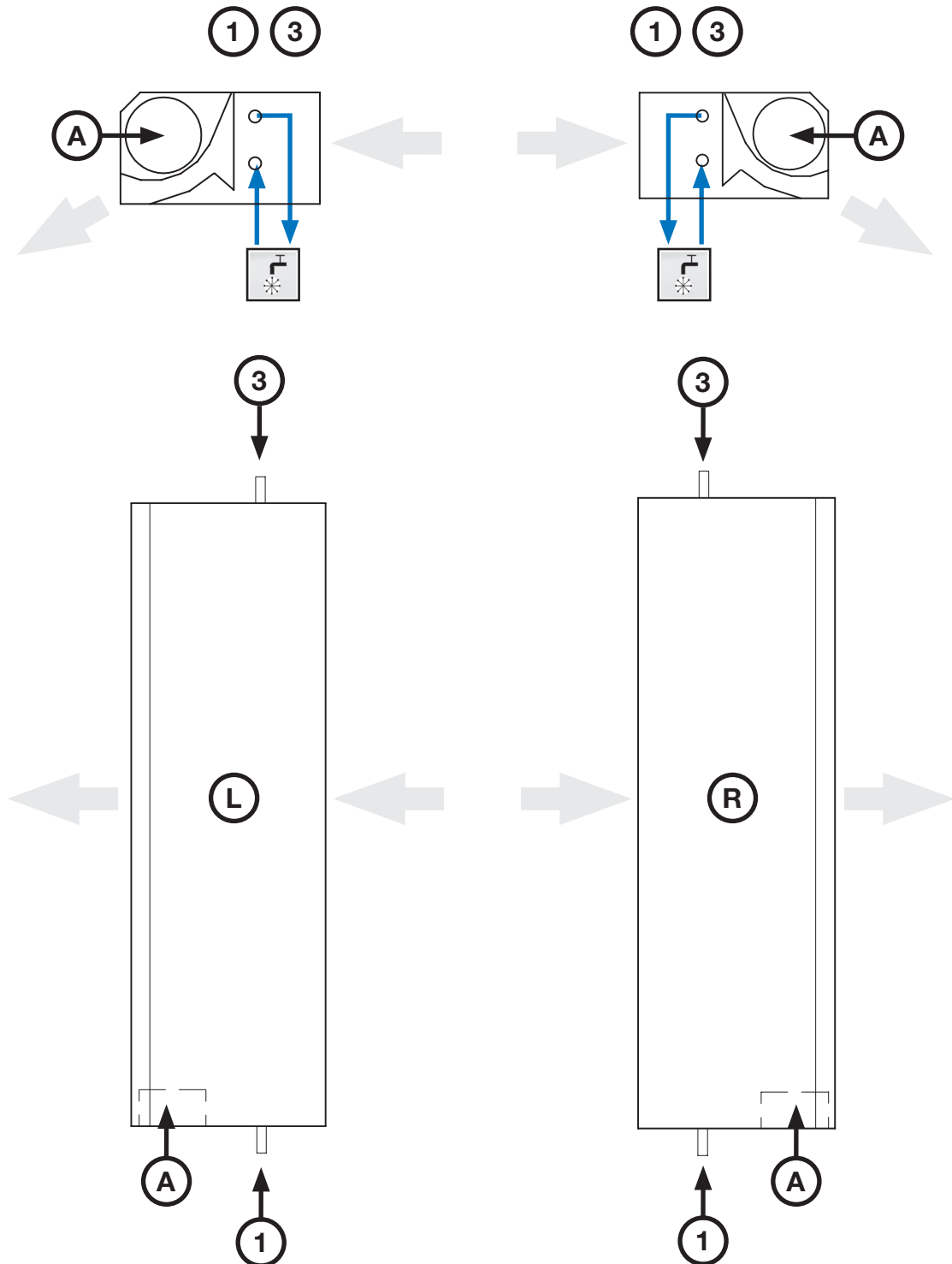


UK - Cold water
DK - Koldt vand
SE - Kallt vatten
FI - Kylmä vesi
DE - Kaltes Wasser
IT - Acqua fredda
FR - Eau froide

Installation instruction

Celo

Possible combinations - Air / Water
Mulige tilslutninger - Luft / Vand
Anslutningsmöjligheter - Luft / Vatten
Liitosvaihtoehdot - Air / Water
Anschlussmöglichkeiten - Luft / Wasser
Connessioni possibili - Aria / Acqua
Connexions possibles - Air / Eau

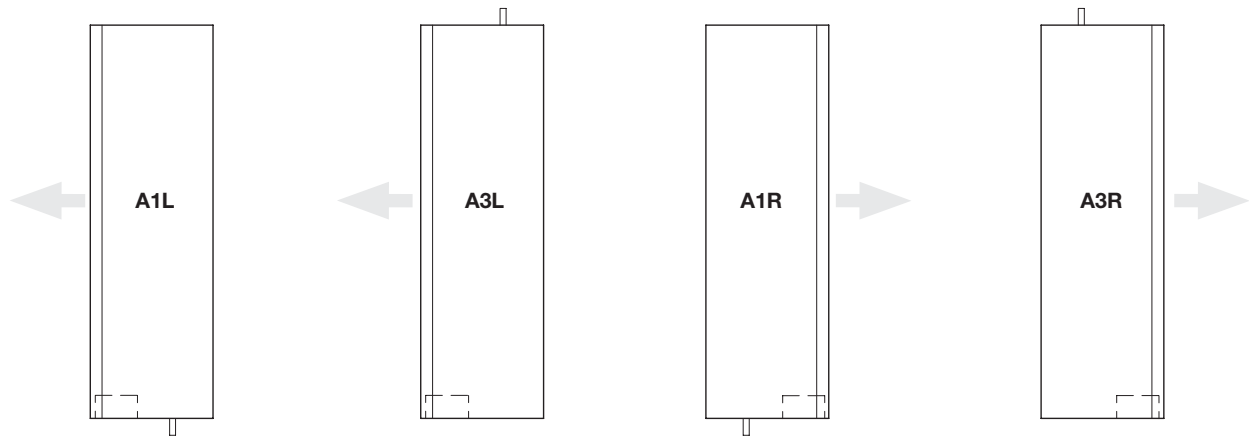


Installation instruction

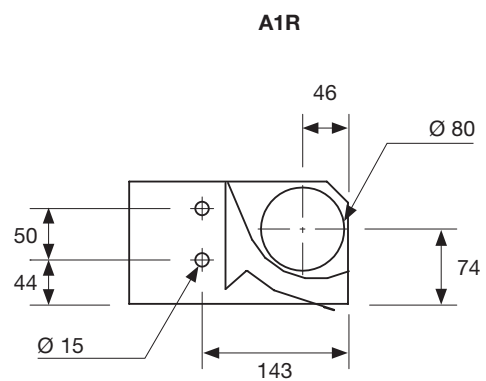
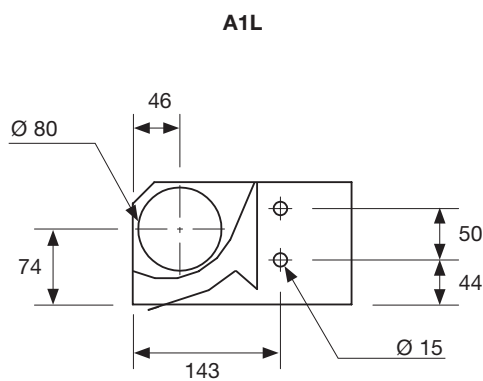
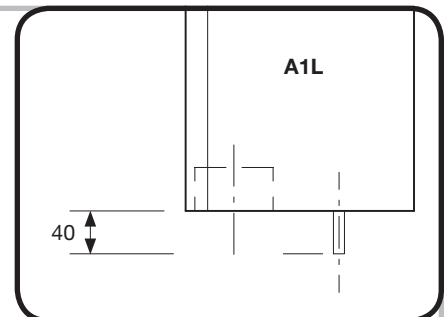
Celo

Possible combinations - Air / Water
Mulige tilslutninger - Luft / Vand
Anslutningsmöjligheter - Luft / Vatten
Liitosvaihtoehdot - Air / Water
Anschlussmöglichkeiten - Luft / Wasser
Connessioni possibili - Aria / Acqua
Connexions possibles - Air / Eau

A: 1L, 3L, 1R, 3R,



Connection dimensions, mm
Mål tilslutning, mm
Mått anslutning, mm
Connection dimensions, mm - FIN
Abmessungen Anschlüsse [mm]
Peso e capienza acqua
Connection dimensions, mm - FR



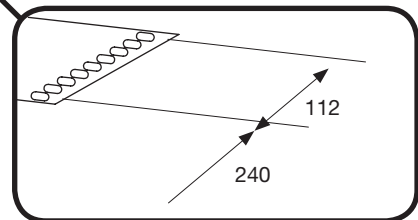
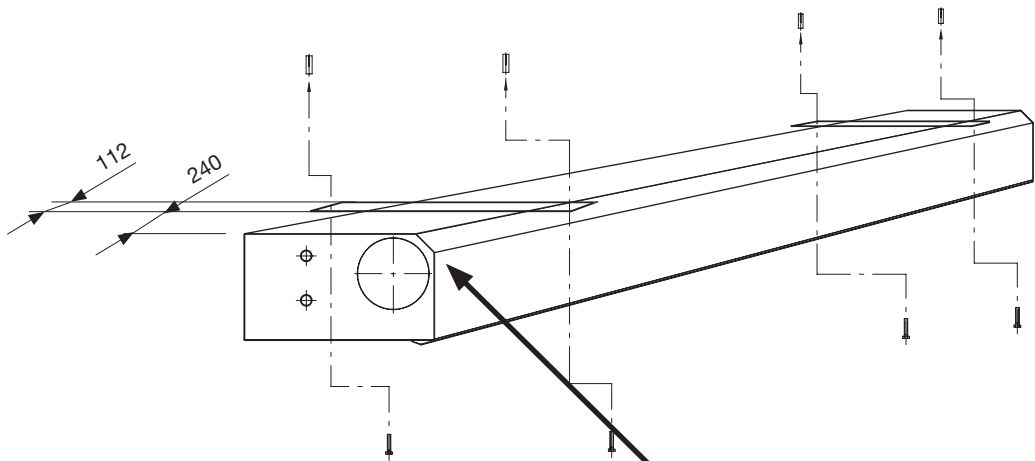
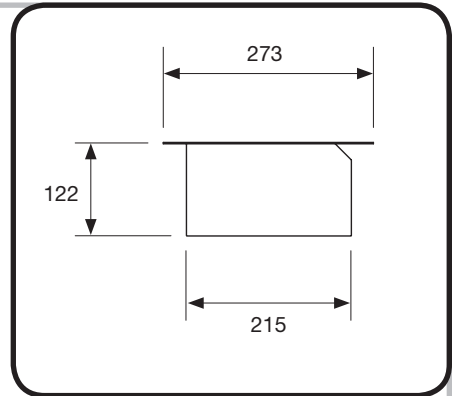
Installation instruction

Celo

Mounting in ceiling
Montage i loft
montage i tak
Asennus alakattoon
Montage in der Zwischendecke
Installazione a soffitto
Montage en plafond



Wire hanger **Threaded rod M6/M8** **screw M6/M8**

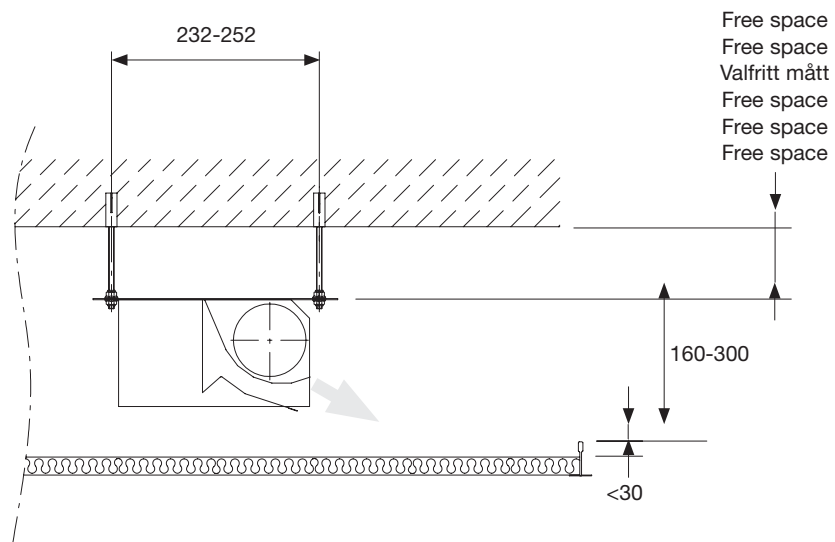


UK - Use the wire hanger, Threaded rod (M6/M8) or screw (M6/M8) for hanging.
DK - Use the wire hanger, Threaded rod (M6/M8) or screw (M6/M8) for hanging.
SE - Use the wire hanger, Threaded rod (M6/M8) or screw (M6/M8) for hanging.
FIN - Use the wire hanger, Threaded rod (M6/M8) or screw (M6/M8) for hanging.
DE - Use the wire hanger, Threaded rod (M6/M8) or screw (M6/M8) for hanging.
IT - Use the wire hanger, Threaded rod (M6/M8) or screw (M6/M8) for hanging.
FR - Use the wire hanger, Threaded rod (M6/M8) or screw (M6/M8) for hanging.

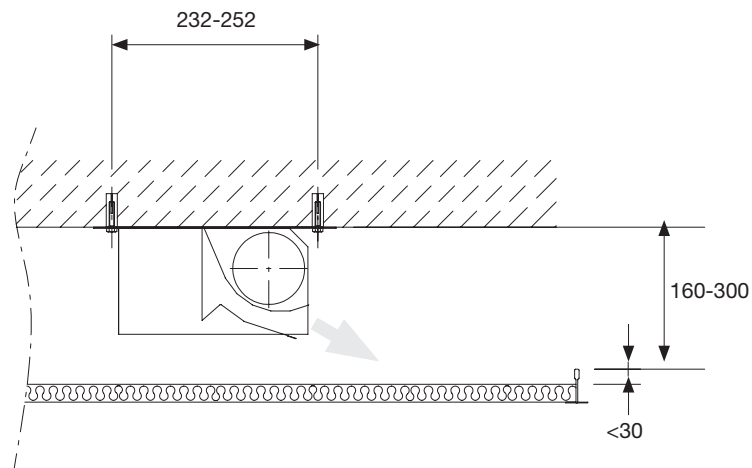
Installation instruction

Celo

Suspended installation
 Suspended installation
 Suspended installation
 Suspended installation
 Suspended installation
 Suspended installation
 Suspended installation



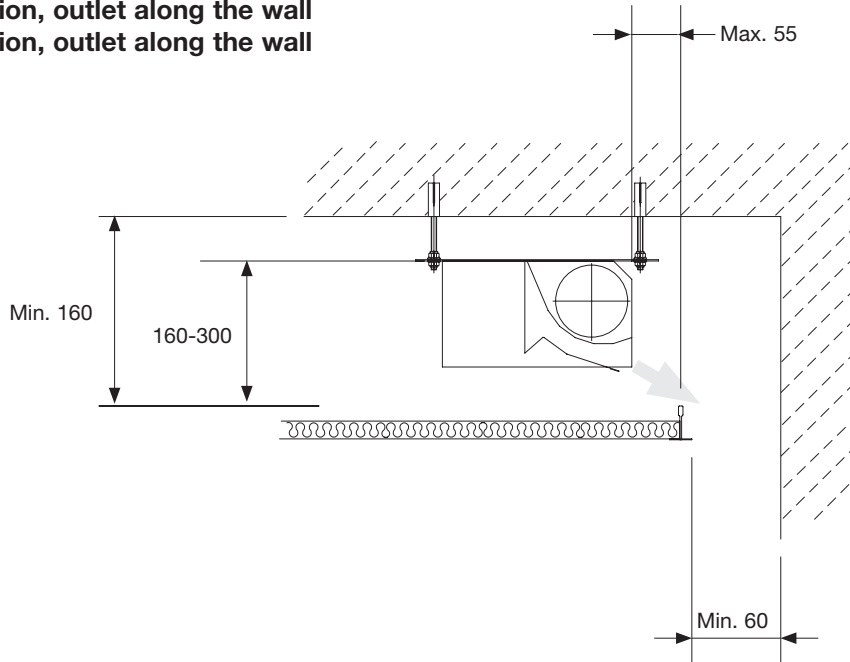
Installation on to a ceiling joist
 Installation on to a ceiling joist
 Installation on to a ceiling joist
 Installation on to a ceiling joist
 Installation on to a ceiling joist
 Installation on to a ceiling joist
 Installation on to a ceiling joist



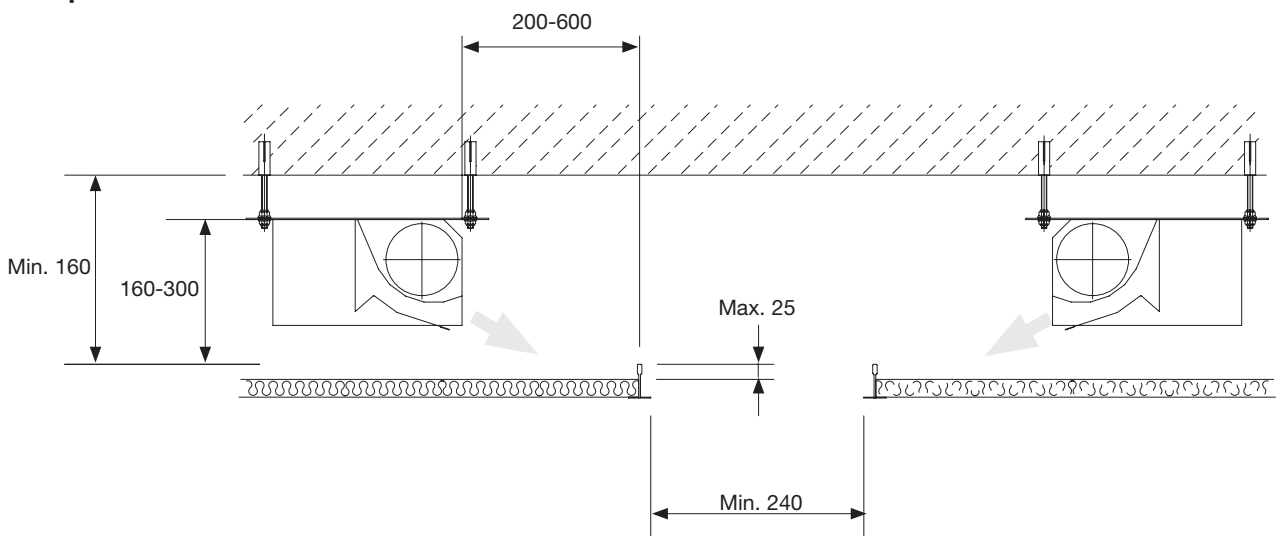
Installation instruction

Celo

Installation, outlet along the wall
 Installation, outlet along the wall
 Installation, outlet along the wall
 Installation, outlet along the wall
 Installation, outlet along the wall
 Installation, outlet along the wall
 Installation, outlet along the wall



Suspended installation
 Suspended installation
 Suspended installation
 Suspended installation
 Suspended installation
 Suspended installation
 Suspended installation





Support
Hjælp
Hjälp
Tuotetuki
Unterstützung
Supporto
Support

UK - Here you can find product updates/mounting instructions and support telephone number/mail.

www.lindab.com

Right to alterations reserved.

DK - Her kan du finde seneste produkt opdateringer/ montagevejledninger samt support tlf. nr/mail.

www.lindab.dk

Ret til ændringer forbeholdes.

SE - Här kan du alltid hitta senaste produktuppdateringarna/montageanvisningarna samt support tel. /e-mail.

www.lindab.se

Rätt till ändringar förbehålles.

FI - Täältä löydät uusimmat tuotetiedot ja asennusohjeet sekä tuotetuen yhteystiedot.

www.lindab.fi

Oikeus muutoksiin pidätetään.

DE - Hier finden Sie aktuelle Produktinformationen/ Montageanleitungen und Telefonnummer/ E-Mail-Adressen der Ansprechpartner.

www.lindab.de

Änderungen vorbehalten.

IT - Qui potete trovare istruzioni di montaggio, informazioni sul prodotto ed un supporto tecnico qualificato
Tel. 011 9952099 - e-mail: lindab@lindab.it

www.lindab.it

Soggetto a modifica senza obbligo di preavviso.

FR - Vous trouverez les fiches produits ou de montage actualisées ainsi que les coordonnées du support téléphonique à l'adresse suivante :

www.lindab.fr

Toutes modifications réservées.

Do you have trouble finding your local contacts please go to:

www.lindab.com

CELO-07082013



www.lindab.com