

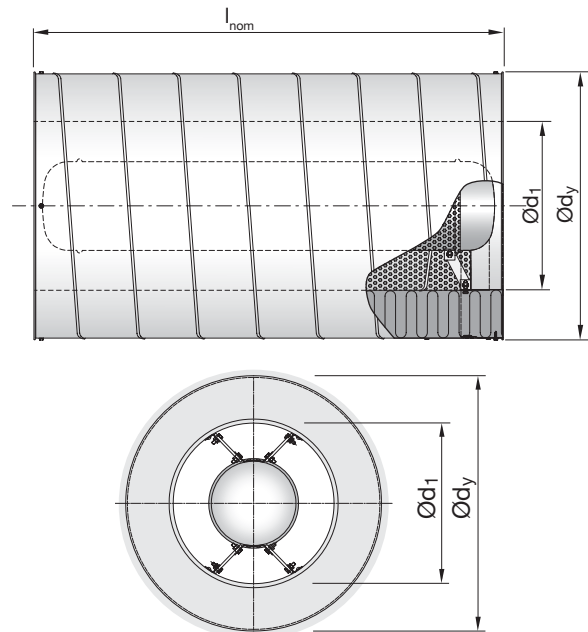
# Circular straight silencer SLGPUSS2 100 with pod



## Description

SLGPUSS2 100 is a circular straight silencer with pod.  
 Insulation thickness 100 mm.  
 Attenuation material is glass wool.  
 Material galvanized steel.  
 Tested according to ISO 7235 standard.  
 SLGPUSS2 100 is tested with the whole Lindab smoke evacuation system according to EN 1366-9.

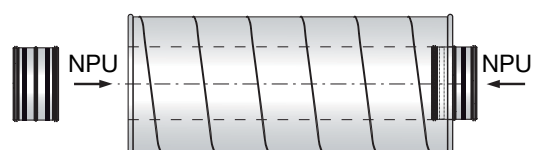
## Dimensions and sound data



Ød <sub>1 nom</sub> [mm]	l <sub>nom</sub> [mm]	Insertion loss [dB] for centre frequency [Hz]								Ød <sub>y</sub> [mm]	m [kg]
		63	125	250	500	1k	2k	4k	8k		
400	600	2	4	11	21	28	31	23	15	625	21
400	900	3	6	16	30	37	40	30	19	625	28
400	1200	3	7	19	35	37	40	33	22	625	36
500	600	1	3	8	18	25	26	20	10	735	25
500	900	2	5	14	27	33	35	24	14	735	34
500	1200	3	6	17	31	37	41	28	17	735	44
630	900	2	4	12	20	30	24	19	9	880	44
630	1200	2	5	14	23	37	30	21	12	880	56
710	900	3	5	11	21	27	23	17	11	930	55
710	1200	2	5	14	19	25	17	12	12	930	69
800	900	3	6	13	20	26	20	15	12	1030	57
800	1200	3	7	15	25	31	22	17	13	1030	74
800	1500	4	8	19	31	37	27	19	15	1030	85
900	900	2	4	10	20	21	17	13	13	1150	63
900	1200	3	5	13	25	25	19	14	13	1150	80
900	1500	3	6	16	31	30	21	16	14	1150	89
900	1800	3	7	19	36	34	23	17	14	1150	114
1000	900	2	4	11	23	20	14	12	12	1280	69
1000	1200	2	5	13	26	23	16	13	13	1280	90
1000	1500	3	6	16	31	27	18	15	15	1280	109
1000	1800	3	7	20	38	34	22	17	17	1280	126

Supplied with two loose couplings.

## Loose couplings (NPU) for SSLGPUSS2 100



## Order code

<b>Product</b>	SLGPUSS2	aaa	bbbb	100
SLGPUSS2				
<b>Connection dim. Ød<sub>1 nom</sub></b>	400 - 1000 mm			
<b>Length in mm (l<sub>nom</sub>)</b>	600 - 1800 mm			
<b>Nominal Insulation thickness</b>	100 mm			

Example: SLGPUSS2 - 400 - 900 - 100

# Circular straight silencer SLGPUSS2 100 with pod

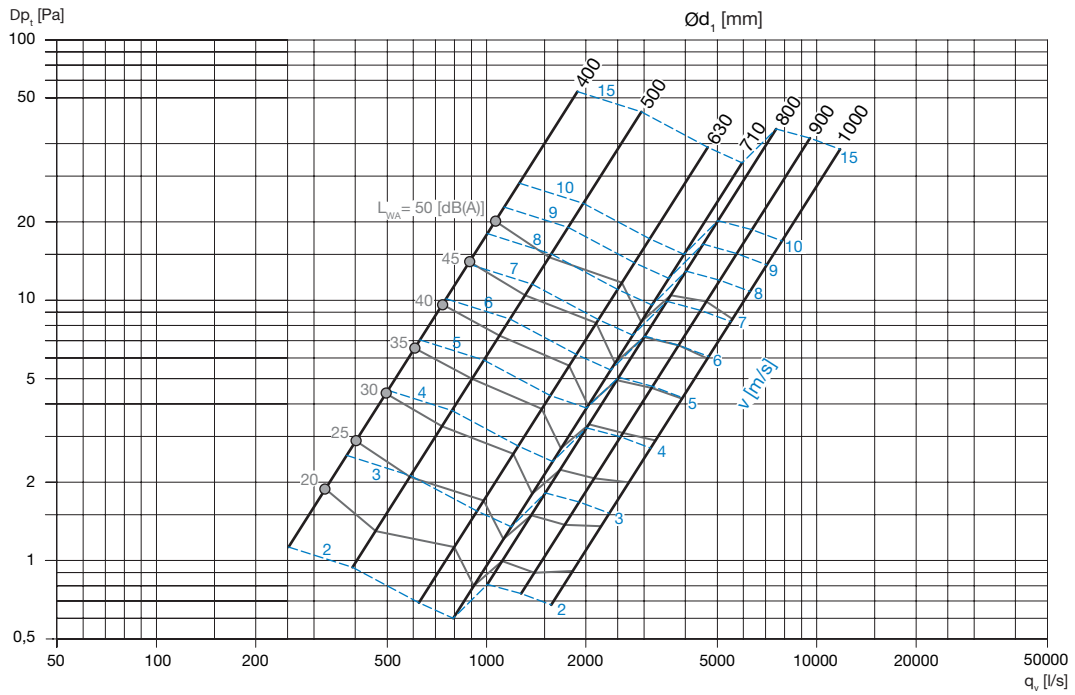
## Technical data

### Pressure loss $\Delta p_t$ [ Pa ]

#### SLGPUSS2 100, Insulation thickness 100 mm, long models

$\varnothing d_1$  : 400 - 500 mm    L = 600 mm

$\varnothing d_1$  : 630 - 1000 mm    L = 900 mm



#### SLGPUSS2 100, Insulation thickness 100 mm, long models

$\varnothing d_1$  : 400 - 710 mm    L = 1200 mm

$\varnothing d_1$  : 800 mm    L = 1500 mm

$\varnothing d_1$  : 900 - 1000 mm    L = 1800 mm

