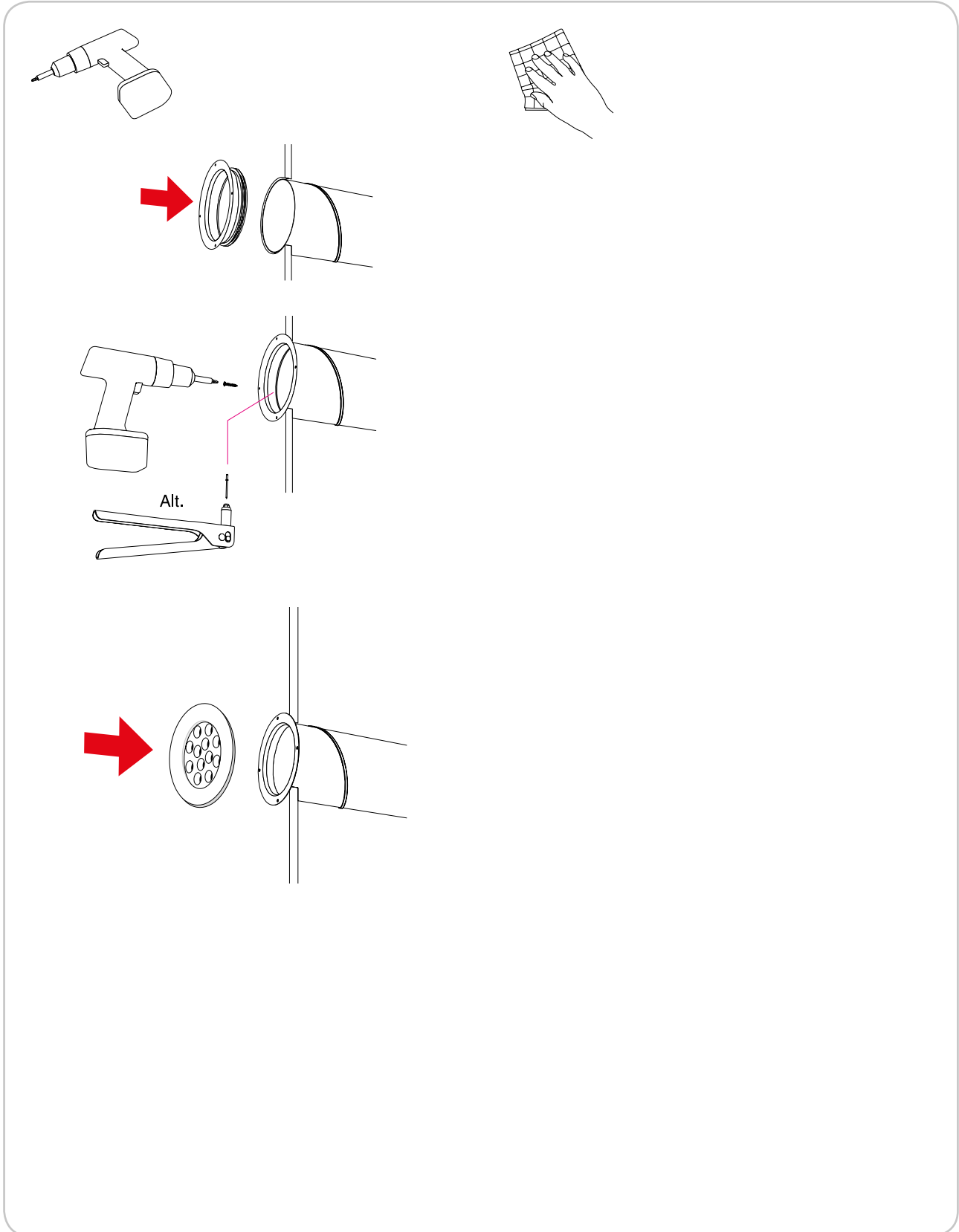




Valve

KDPF





Valve

KDPF

The diagram illustrates three correct installation methods for the KDPF valve:

- Method 1:** A sensor is inserted into a duct with flow indicated by a blue arrow. The digital display shows '123' and a thumbs-up icon.
- Method 2:** A sensor is inserted into a circular panel with multiple holes. The digital display shows '123' and a thumbs-up icon. A thumbs-down icon is also present next to the circular panel sensor.
- Method 3:** A sensor is inserted into a conical diffuser. The digital display shows '123' and a thumbs-up icon.

Below the diagrams, a table provides the relationship between the valve diameter, mounting location, and the number of open holes (Setting n) for a 100 mm valve.

Ø mm	Valve mounted in	Setting n [number of open holes]						
		n	1	2	3	4	5	6
100	Duct	k	0,24	0,42	0,59	0,80	0,98	1,20
		n	7	8	9	10	11	12
	Duct	k	1,50	1,60	1,80	2,10	2,30	2,50
		n						