



Protects Life and Property

Lindab **Protect**

Fire damper FNC1U - EI60S



Fast and easy installation

FNC1U is a circular fire damper designed to prevent fire and smoke from spreading in the ventilation system.

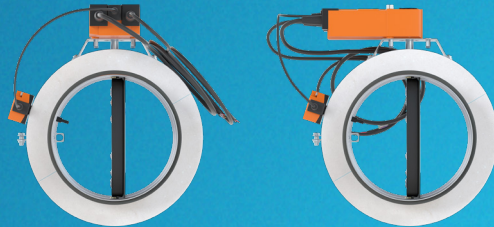
You can install the damper in all standard applications, light wall, rigid wall, floor/roof and remote from wall.

FNC1U is developed with the main focus to simplify construction while maintaining high reliability and safety.



Main Features

Option for orthogonal or parallel mounting



4 built-in damper brackets

- no loose accessories
- facilitates installation

Pre-installed thermal sensor

- facilitates installation
- no loose objects

Lindab SAFE gaskets

- fast and secure installation
- tightness class C





**Support for both Belimo
and Siemens actuators**

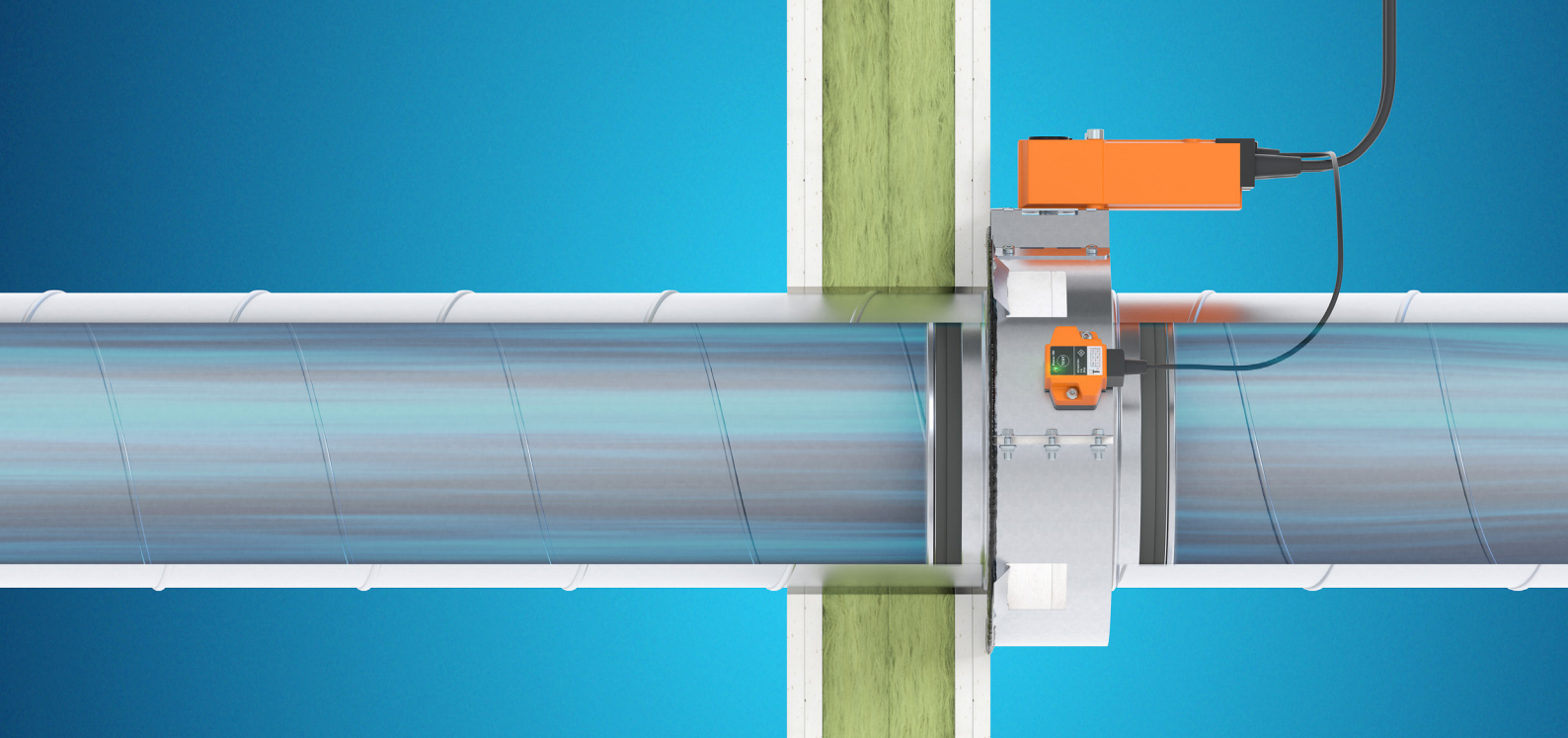


Damper blade

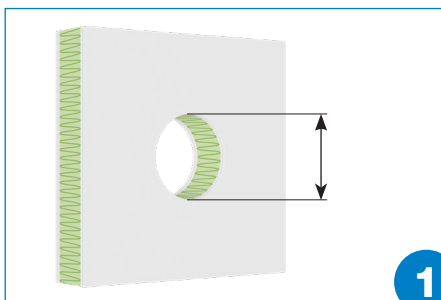
– Thin blade, (low pressure loss)

Diameter range

– Ø 100–400 mm

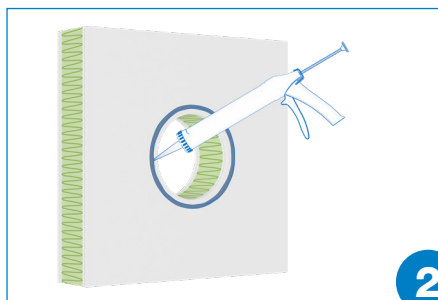


Fast and easy installation



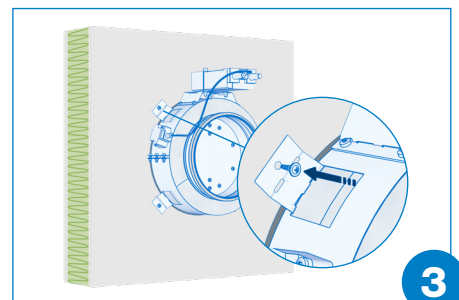
1

Cut a hole in the wall. Ventilation duct diameter +10 mm or +40 mm.



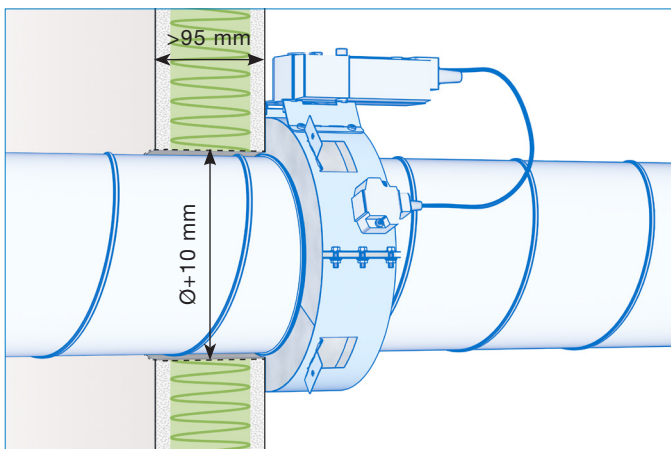
2

Seal with fire rated mastic between the wall and damper ring.



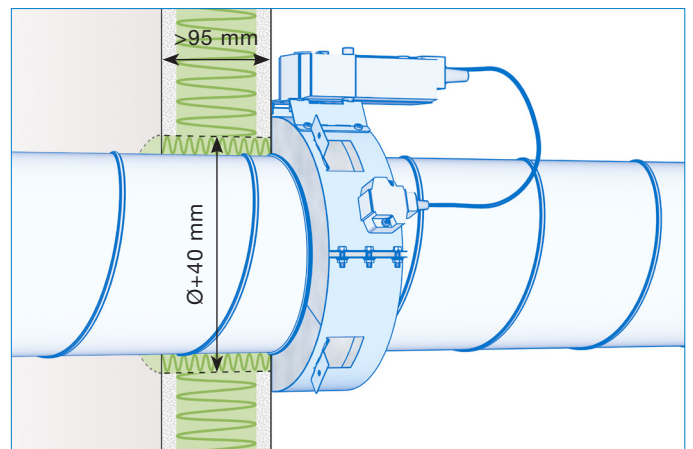
3

Fold the brackets against the wall and fasten them with screws and expanders.



Alternative: 1 (Ø +10 mm)

No extra insulation needed.



Alternative: 2 (Ø +40 mm)

Fill and close the gap inside the wall with mineral wool >35 kg/m³, and seal with fire rated mastic.

Classification

Fire test	EN 1366-2
Classification	EN 13501-3
CE certification	EN 15650
Air tightness	EN 1751
Thermal fuse reliability	ISO 10294-4
P-marked	Yes

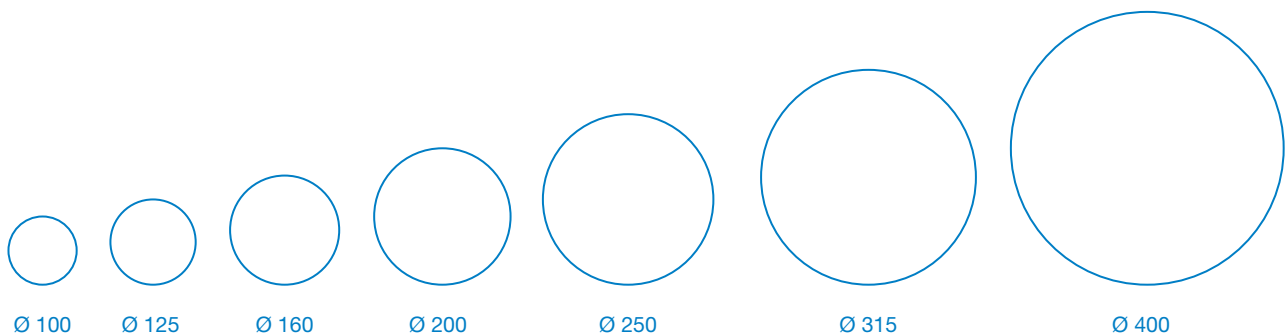
For a complete classification, see the Declaration of Performance at our website.

Belimo actuator

Power supply (VSB)	AC	24 (19-29) V
	DC	24 (21-29) V
Power supply (DSB)	AC	230 (198-264) V
Wires diameter	Power supply	2 x 0,75 mm ²
	Auxiliary switches	2 x 0,75 mm ²
Power consumption (VSB)	24 V	2,5 W
Power consumption (DSB)	230 V	2,5 W
IP class		54
Ambient temperature		-30 to +55 °C
Maximum ambient moisture		< 95 % r.h
Torque motor		Min. 4 Nm
Torque spring-return		Min. 3 Nm

Siemens actuator

Power supply (VSS)	AC	24 (± 20 %) V
	DC	24 (± 20 %) V
	DC	48 (± 20 %) V
Power supply (DSS)	AC	230 (± 15 %) V
Wires diameter	Power supply	2 x 0,75 mm ²
	Auxiliary switches	6 x 0,75 mm ²
Power consumption (VSS)	24 V	2 W
Power consumption (DSS)	230 V	3,5 W
IP class		54
Ambient temperature		-32 to +50 °C
Maximum ambient moisture		< 95 % r.h
Nominal torque		4 Nm





Good Thinking

At Lindab, good thinking is a philosophy that guides us in everything we do. We have made it our mission to create a healthy indoor climate – and to simplify the construction of sustainable buildings. We do that by designing innovative products and solutions that are easy to use, as well as offering efficient availability and logistics. We are also working on ways to reduce our impact on our environment and climate. We do that by developing methods to produce our solutions using a minimum of energy and natural resources, and by reducing negative effects on the environment. We use steel in our products. It's one of few materials that can be recycled an infinite number of times without losing any of its properties. That means less carbon emissions in nature and less energy wasted.

We simplify construction