



Valve with presetting

TTR/TTV

Application

These valves are suitable for all Lindab's actuators as well as for all other thermal actuators with VA80 adaptor.

They work as permanent proportional regulators. Together with the head, they react to temperature variations of the room.

These valves are equipped with the possibility of a pre-set limitation of the water flow. See details below. The TTR and TTV valves can be used on all of Lindab's waterborne products. An orange protective cap easily identifies the model.

Easy to connect

The push-push connection brings a quick, easy and secure tightness to the copper, precision steel or PEX pipes. Not suitable for stainless steel pipes.

Construction

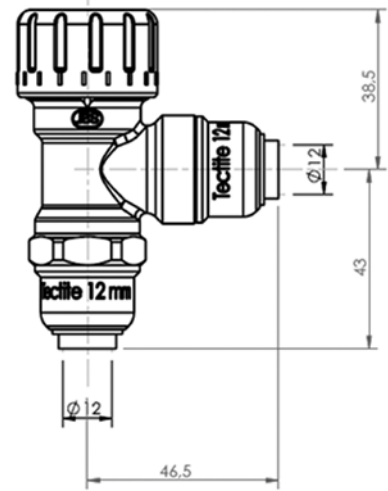
- Body: Hot stamped brass
- Insert: High resistance brass
- Spring: stainless steel
- Profiled valve with o-ring: ethylene-propylene; anti-frost additives
- Protective cap: recycled plastic
- M30x1.5 valves
- Push-push connection

Technical data

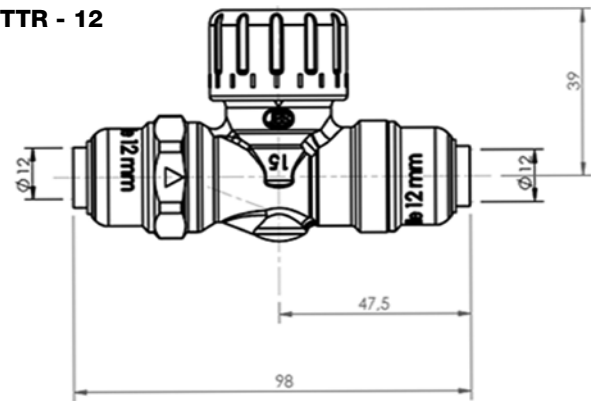
- Pressure class: PN10
 - Max. differential pressure 60 kPa
 - Max. Temperature: 110°C
 - Kvs 0.05 - 1.2 (with thermal actuator)
 - Max. static pressure
- Copper pipes: at 65°C = 10 bar
 at 95°C = 6 bar
- PEX pipes: at 65°C = 6 bar
 at 95°C = 3 bar



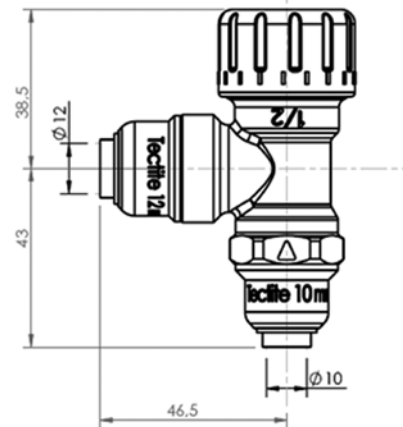
TTV - 12



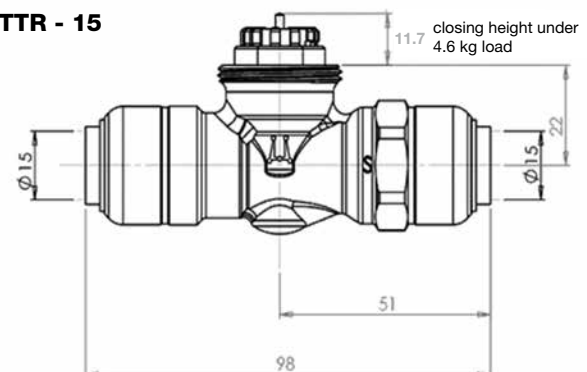
TTR - 12



TTV - 10 - 12



TTR - 15





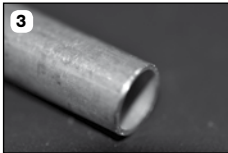
Valve with presetting

TTR/TTV

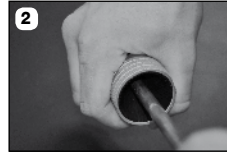
Installation



1 Cut the pipe in the desired length, using a pipe cutter



3 When properly prepared, 1 mm of the outer surface of the pipe ends should be angled at 30°. It is important that the pipe is properly deburred. It's recommended to use pipe liners on thin walled copper pipes and PEX.

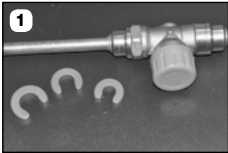


2 Prepare the ends of the pipe, by using a pipe grinder.



4 Insert the pipe in the valve, in a turning motion. Be sure to press the pipe completely into the joint.

Disassembly



1 To disassemble the valve, use the Tectite diameter specific disassembling tool.



3 Apply an even pressure on both sides of the disassembling tool, so the small, round plastic ring on the Tectite fitting is pressed down. Pull out the pipe.



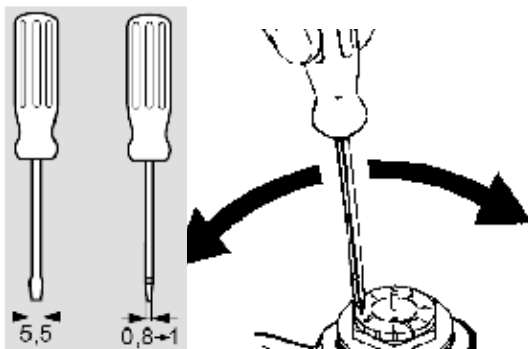
2 Attach the disassembling tool to the pipe, by pressing the tool onto the pipe.



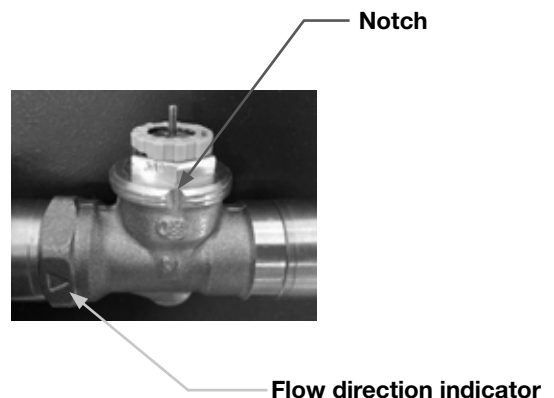
4 The pipe is now disassembled. Please note that it is possible to reuse the valve, if the valve hasn't sustained any damage. The pipe on the other hand, may leak if used again. If you want to reuse the pipe, make sure that there are no scratches on the pipe.

Setting The Kv Value:

- Read the desired position for the requested flow in diagram 1.
- Use a simple screw-driver to turn the wheel to the desired position.



The dial is set correctly, when the desired Kv- Value is set out from the notch in the valve.



The triangle indicates the flow direction. The valve must be mounted according to the flow direction of the system.



Valve with presetting

TTR/TTV

TTR-15

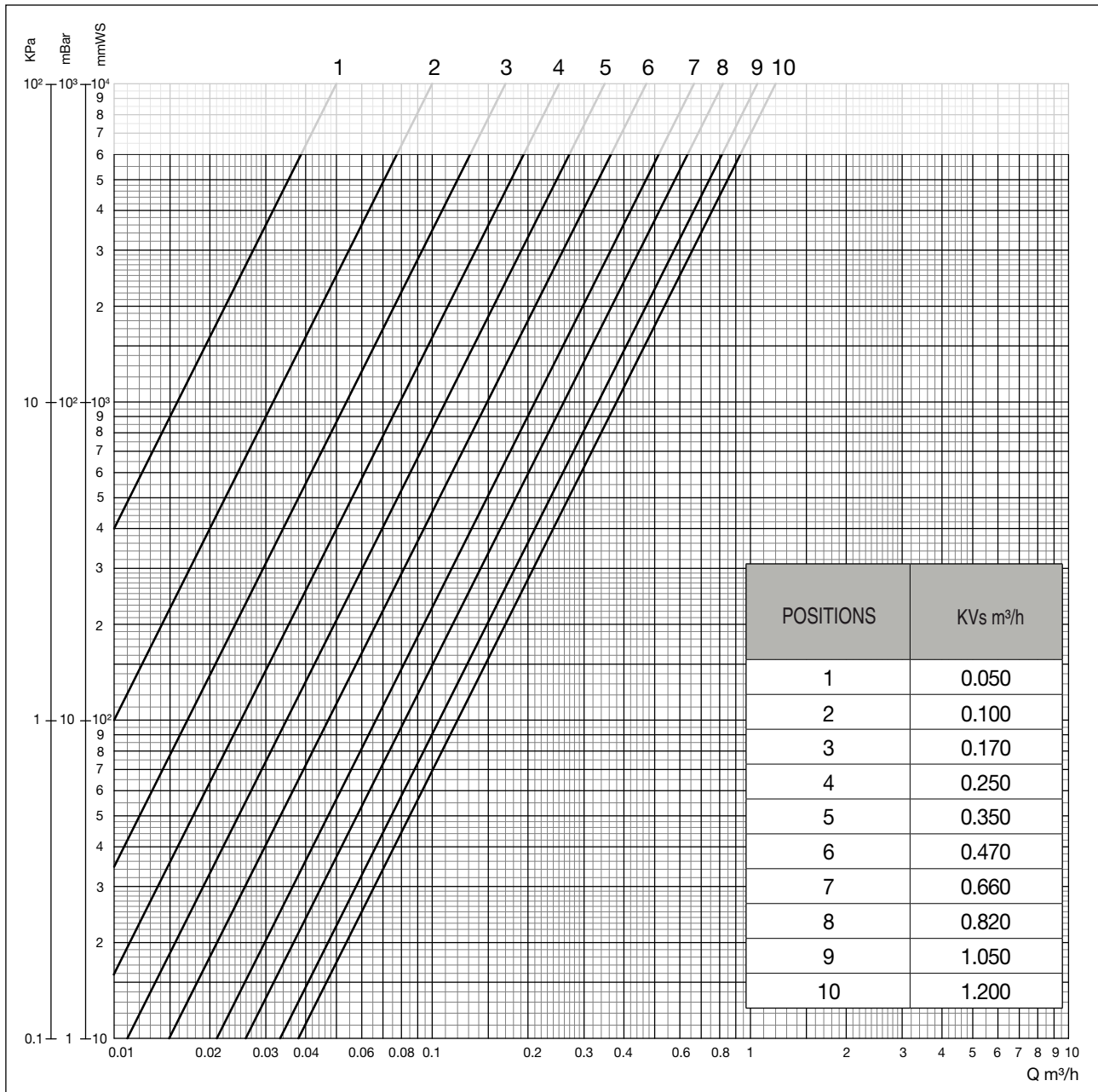


Diagram 1. Valve settings for thermal actuators TTR-15.



Valve with presetting

TTR/TTV

TTR-12

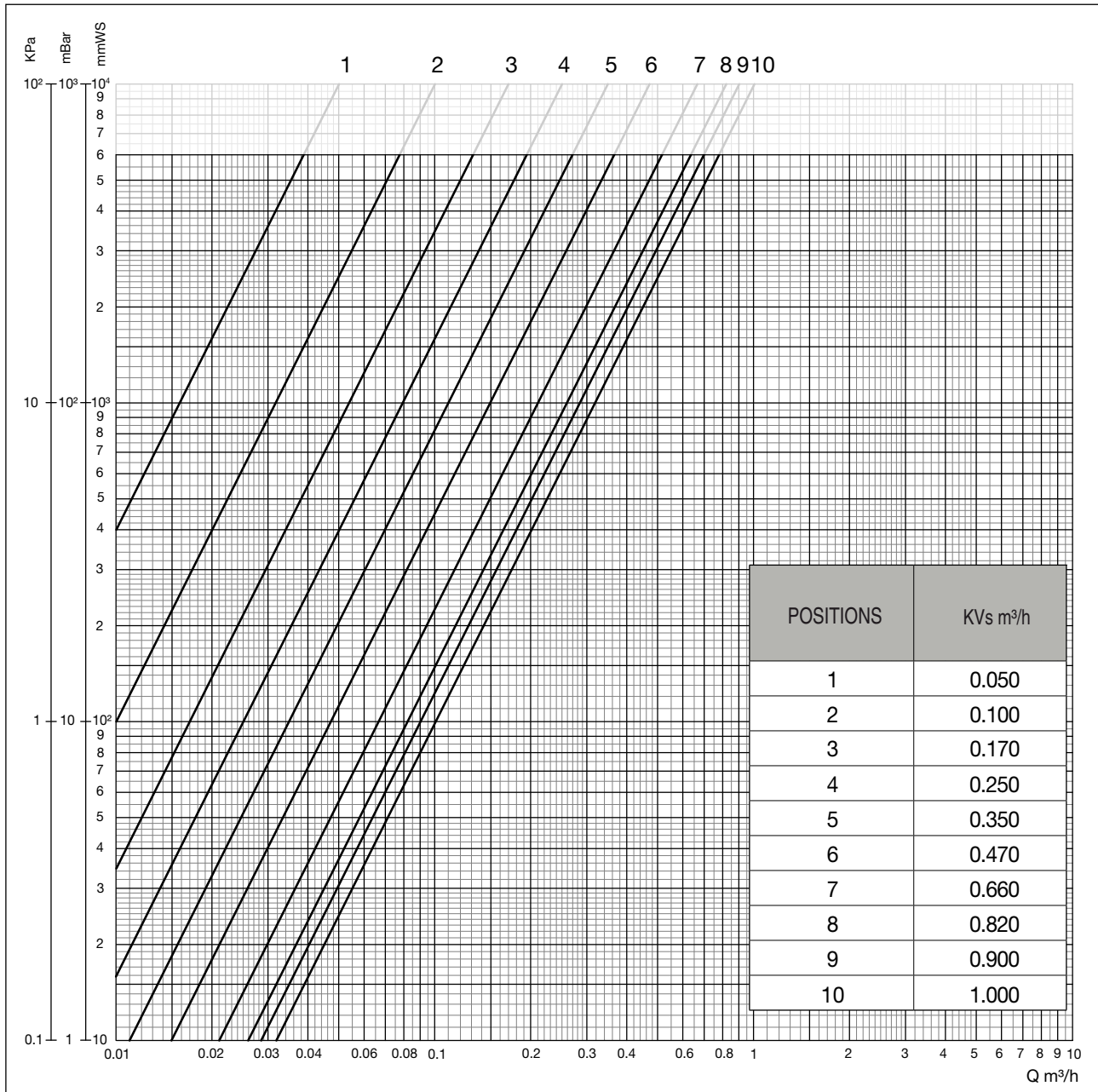


Diagram 2. Valve settings for thermal actuators TTR-12.



Valve with presetting

TTR/TTV

TTV-10-12, TTV-12

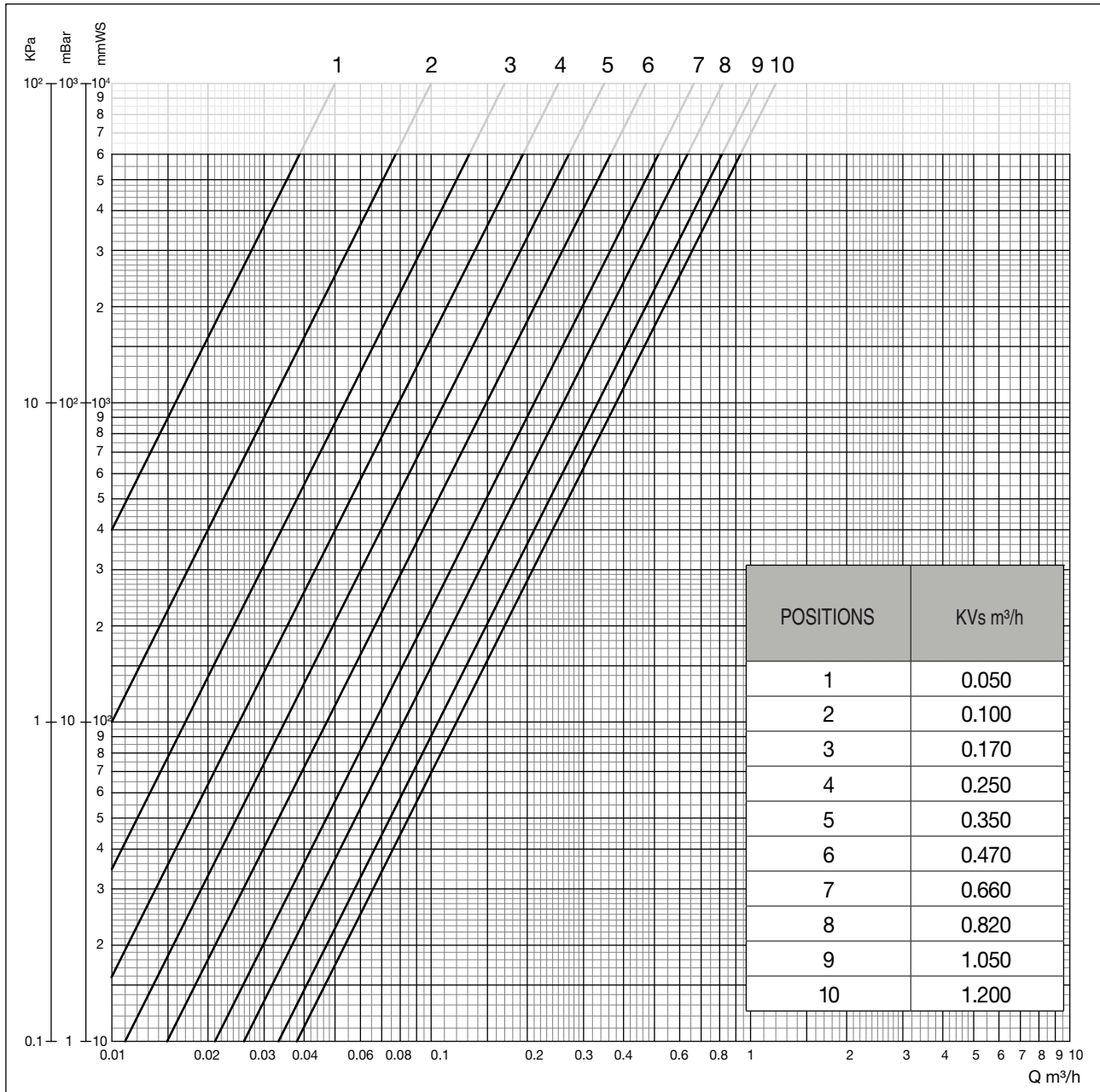


Diagram 3. Valve settings for thermal actuators TTV-10-12 and TTV-12.