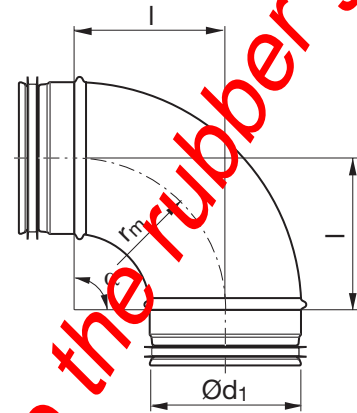


# Bend

# BU 90°



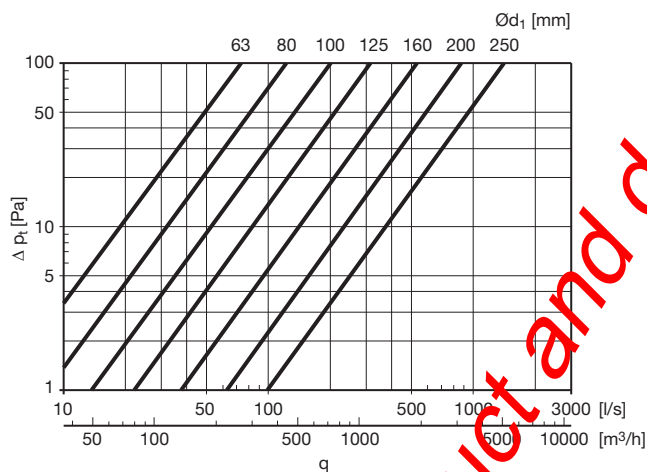
## Dimensions



$r_m \approx 1 \cdot d_1$

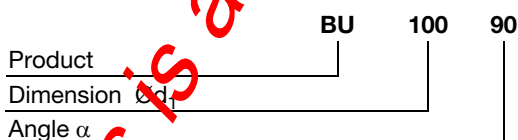
## Description

Pressed and seam welded bend.



| $\text{Ø}d_1$ nom | l mm | m kg |
|-------------------|------|------|
| 63                | 110  | 0,20 |
| 80                | 105  | 0,26 |
| 100               | 100  | 0,31 |
| 112               | 120  | 0,39 |
| 125               | 125  | 0,48 |
| 140               | 135  | 0,66 |
| 150               | 150  | 0,66 |
| 160               | 160  | 0,74 |
| 180               | 180  | 1,02 |
| 200               | 200  | 1,12 |
| 224               | 225  | 1,33 |
| 250               | 250  | 1,77 |

## Ordering example



This is a Vent product and doesn't have the rubber gasket!

- 1
- 2
- 3
- 4
- 5
- 6
- 7
- 8
- 9
- 10
- 11
- 12
- 13
- 14
- 15
- 16
- 17
- 18