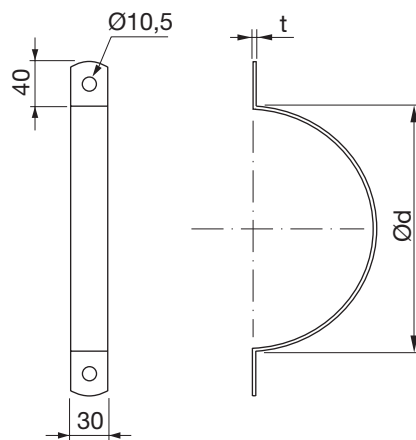


# Suspension rings

# UVH30



## Dimensions

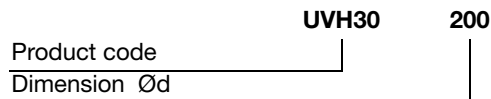


## Description

For suspension of circular ducting. For insulated duct it is recommended that the suspension ring is mounted inside the insulation.

N.B Galvanized UVH30 is sold in pairs, stainless steel and aluminiumzink. UVH30 is sold by piece. The weight in the table are per pair.

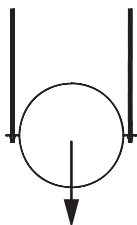
## Ordering example



Ød nom	t mm	m kg
80	1,25	0,10
100	1,25	0,12
125	1,25	0,16
160	1,50	0,22
200 *	1,50	0,26
250 *	1,50	0,30
315 *	1,50	0,38
400 ***	2,00	0,64
500 ***	2,00	0,80
630 ***	2,00	0,98
800 ***	3,00	1,84
1000 *	3,00	2,30
1250 *	3,00	2,84

## Technical data

Max recommended load for different fire classes.



Can also be delivered in additional sizes.  
 \* can also be delivered in stainless steel 4404.  
 \*\* can also be delivered in aluminiumzink.

Installation	Ventilation system					Smoke control system
	R0 no fire class.	R15	R30	R45	R60	
Dim	kg	kg	kg	kg	kg	600 °C 120 min kg
80-1250	200	200	200	200	200	200