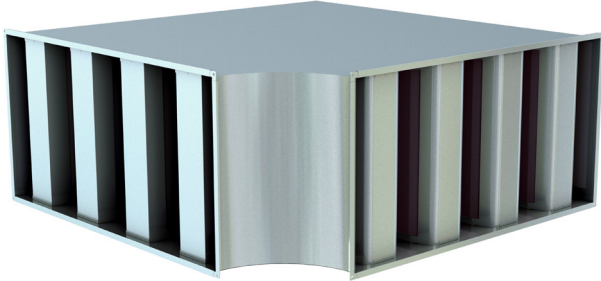


# Rectangular curved attenuator

# SLRB



## Description

Rectangular curved attenuator from Aerodim™ series. SLRB is equipped with Aerodim™ splitters. The attenuator is manufactured with frame of galvanized sheet and absorption material type Lindtec™. The absorption wool is easy to clean while preventing the dispersal of fibres.

Due to aerodynamic design, the SLRB has a low pressure loss and low generation of flow noise. Due to the low pressure loss it is possible to use smaller duct sizes and still enjoy low energy consumption.

The splitters are available in a width 200 mm. Distances between the splitters vary according to the required attenuation and airflow. Length of legs are always 300 mm. Width goes in 100 mm steps.

To calculate the attenuator, you can use our IT-online tool LindQST or DIMsilencer, where splitter distance, width and height can be optimized for the best performance. Tested according to ISO 7235 standard.

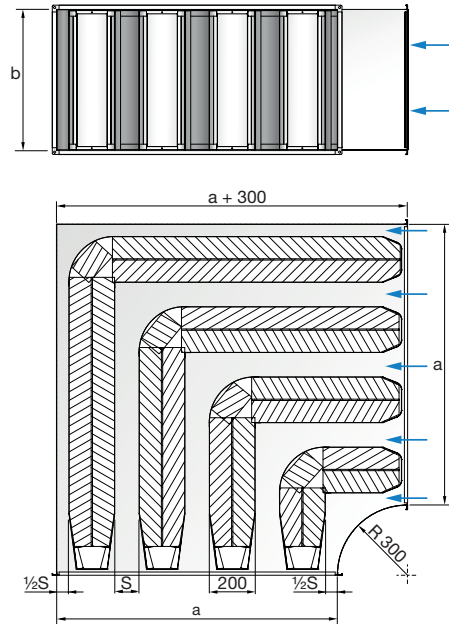
## Order

Product	SLRB	200	S	a	b	R	c
SLRB							
Splitter width in mm		200 mm					
Splitter distance (S) in mm			50 - 200				
Width (a) in mm, in steps of 100 mm				400 - 2000			
Height (b) in mm					300 - 2000		
Radius (R) of curved edge						R = 300 mm	
Connection type (c)							e.g. RJFP or LS

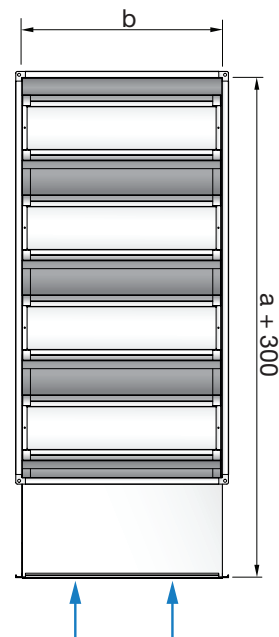
Example: SLRB - 200 - 100 - 1200 - 600 - 300 - RJFP

## Dimensions

(Horizontal mounting)



(Vertical mounting)



Arrows indicate direction of airflow.

# Rectangular curved attenuator

SLRB

## Technical data

### Dimensions and sound data

Insertion loss [dB] for centre frequency [Hz]										
a	S									Pressure value
[mm]	[mm]	63	125	250	500	1k	2k	4k	8k	$\xi$
400	200	7	6	15	13	15	13	14	15	0,1
400	67	9	11	25	18	20	18	21	22	3,8
500	133	9	9	23	16	21	17	18	19	0,6
500	50	10	19	27	22	23	21	22	24	8,0
600	200	6	9	18	13	18	15	16	18	0,4
600	100	7	15	24	21	22	20	21	22	1,8
700	150	7	13	21	16	20	17	18	19	0,7
700	80	9	16	24	19	23	20	21	22	2,6
800	200	7	16	19	15	18	16	17	19	0,6
800	67	10	20	26	22	23	20	22	24	5,0
900	100	8	18	26	22	23	21	22	22	2,4
900	57	12	22	29	22	23	22	23	25	6,4
1000	133	8	19	25	18	21	19	20	22	1,7
1000	50	15	23	30	25	24	23	23	26	10,0
1100	167	10	20	24	17	21	19	19	22	1,4
1100	75	14	23	30	23	23	21	23	26	4,8
1200	200	9	20	21	17	20	19	20	23	1,6
1200	100	13	22	29	24	25	22	23	25	3,4
1300	125	13	23	29	20	21	19	22	23	2,8
1300	60	15	25	31	26	24	22	24	27	8,5
1400	150	11	22	28	19	21	19	21	23	2,7
1400	80	16	24	30	24	23	20	22	25	5,5
1500	175	12	22	27	19	22	18	20	22	2,4
1500	100	15	23	31	26	26	23	24	26	4,5
1600	200	11	24	23	19	22	22	23	27	2,3
1600	67	-	-	-	-	-	-	-	-	-
1700	140	15	23	29	25	25	23	23	25	4,0
1700	-	-	-	-	-	-	-	-	-	-
1800	100	18	26	34	27	28	24	25	28	5,3
1800	57	-	-	-	-	-	-	-	-	-
1900	180	14	22	27	23	25	22	22	25	3,3
1900	-	-	-	-	-	-	-	-	-	-
2000	200	13	28	25	21	24	25	26	31	3,0
2000	50	25	31	36	31	26	27	25	30	15,0