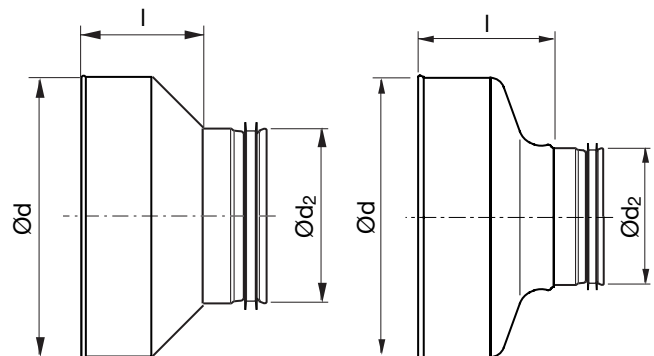


Reducer

RCFU



Dimensions



Type 1

Type 2

Description

Pressed, concentric reducer with female coupling to meet demands for short installation length with low pressure drop and low internal noise generation. Ød fits outside another fitting.

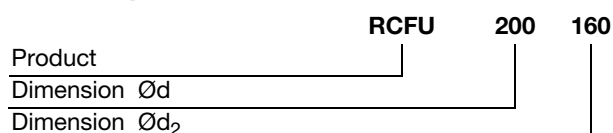
Has Click function at the Safe end – has an open turned-over end.

Has normally not any Click function at the female end – hasn't any notches.

Ø 80–315 can upon order be delivered with click function at the female end as well – i.e. with notches.

Ød nom	Ød ₂ nom	l [mm]	Type	m [kg]
80	63	57	1	0,11
100 *	63	70	1	0,14
100 *	80	61	2	0,16
125 *	80	73	2	0,16
125 *	100	64	2	0,14
150 *	100	78	2	0,20
150 *	125	66	2	0,17
160 *	80	92	1	0,24
160 *	100	83	2	0,16
160 *	125	71	2	0,20
160 *	150	59	1	0,25
180	100	98	1	0,24
180	125	85	1	0,31
180	150	68	1	0,24
180	160	66	1	0,27
200 *	100	84	2	0,23
200 *	125	90	2	0,27
200 *	150	75	1	0,34
200 *	160	73	2	0,26
200 *	180	63	1	0,32
224	150	92	1	0,45
224	160	87	1	0,49
224	180	76	1	0,46
224	200	66	1	0,45
250 *	125	133	1	0,57
250 *	150	122	1	0,56
250 *	160	117	2	0,40
250 *	180	107	1	0,55
250 *	200	103	2	0,42
250 *	224	89	1	0,53
300	200	119	1	0,68

Ordering example



Reducer

RCFU

Ød nom	Ød ₂ nom	l [mm]	Type	m [kg]
300	250	94	1	0,66
315 *	160	153	1	0,82
315 *	200	134	2	0,77
315 *	250	108	2	0,65
355	250	136	1	1,04
355	315	97	1	0,89
400 *	200	196	1	1,31
400 *	250	174	1	1,37
400 *	315	133	1	1,20
500 **	250	208	1	2,12
500 **	315	185	1	2,09
500 **	400	150	1	1,95
630 **	315	240	1	2,76
630 **	400	198	1	2,72
630 **	500	148	1	2,69

* With turned-over edge

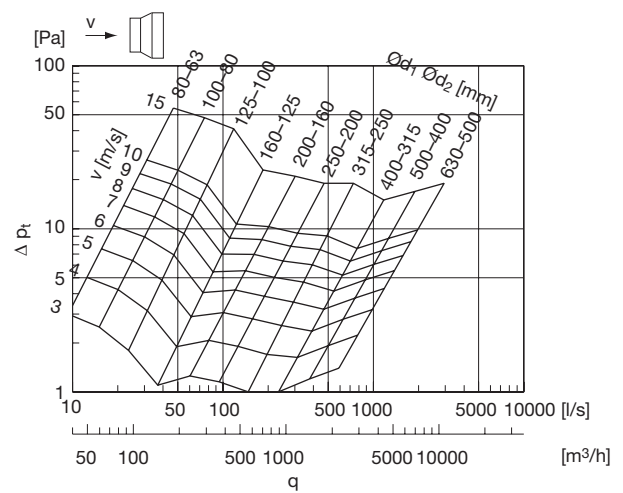
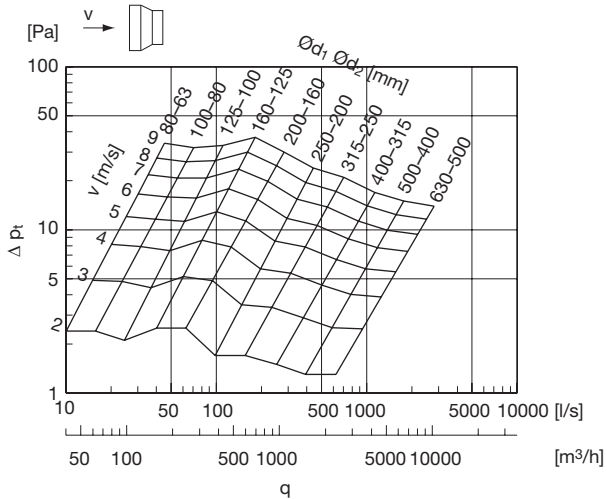
** Hand made

Reducer

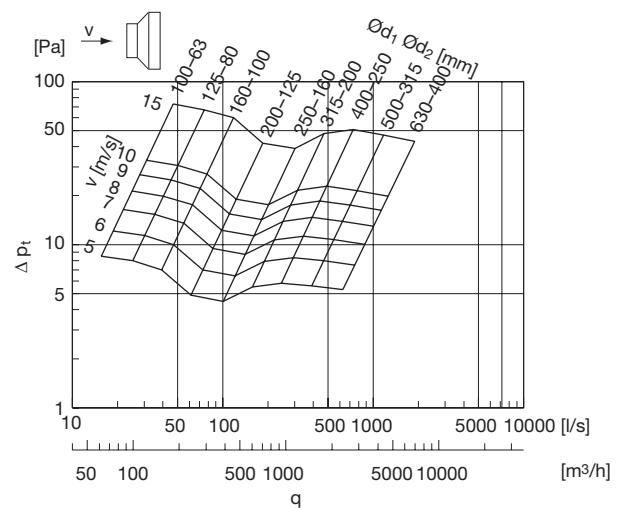
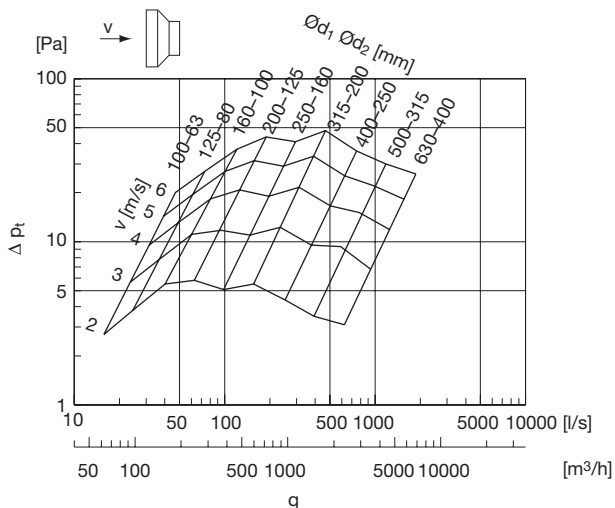
RCFU

Technical data

1 dimension step



2 dimension steps



3 dimension steps

