

Plenum box floor

PGFU



Description

The plenum box is intended for supply air.

It is intended to accommodate grille AL30C, which can be supplied with the regulating damper DGA or sliding damper SKG.

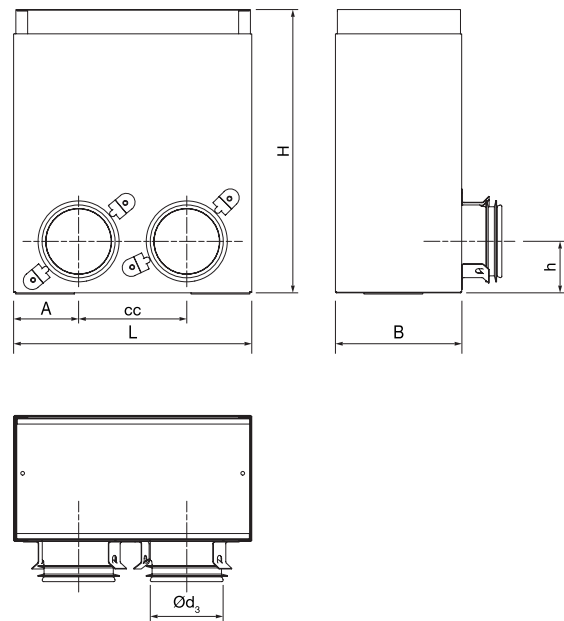
It is designed for floor installation but can be used at other locations as well. It is telescopic for flexibility at installation.

All types have couplings with Lindab safe sealings for connections of SR spiral-seamed ducts or semiflexible ducts LFPE. Boxes with Ø 76 couplings with Lindab safe sealings are intended for direct connection of the semiflexible duct LFPE. It is not intended for SR spiral-seamed duct.

The Smart Lock function allows you to fasten LFPE effortlessly to the Safe couplings.

Two turnable anchor plates, placed on the bottom of the manifold, can be used for fixation.

Dimensions



Ød ₁ nom	Ød ₃ nom	Type	L mm	B mm	H mm	h mm	cc mm	A mm	m kg
2010	63	2	204	107	220-345	44	92	56	1,10
3010	63	3	304	107	220-345	44	89	63	1,50
2010	76	1	204	107	220-345	56	-	102	1,00
2010	76	2	204	107	220-345	56	95	54	1,00
3010	76	1	304	107	220-345	56	-	152	1,50
3010	76	2	304	107	220-345	56	126	89	1,50
2010	80	1	204	107	220-345	56	-	102	1,00
3010	80	1	304	107	220-345	56	-	152	1,50
3010	80	2	304	107	220-345	56	126	89	1,50

Ordering example

	PGFU	2010	63	2
Product				
Dimension Ød				
Dimension Ød ₃				
Type				

Plenum box floor

PGFU

Technical data

Supply

