

Roof transition

GISOL



Description

Used for example in connection with roof hoods type VHL, VHA and VHP, where there is demands on insulation against heat or condensation creation plus a wish for a harmonic transition between roof transition and hood.

Constructed around two spirally wounded ducts with intermediate insulation and equipped with end cap at the bottom. The roof plate is mounted on the duct and easy to fit to the roof's shape. It is recommended to fasten GISOL to roof beam, use beam fixture type SBG.

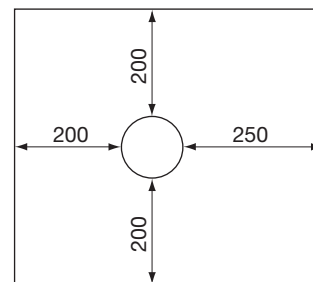
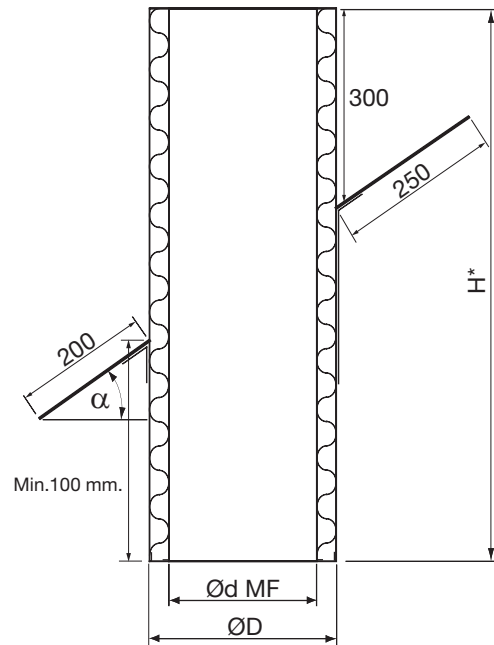
Insulated with minimum 50 mm insulation material and thereby meets the standard DS 428.3 "Norm for brandtekniske foranstaltninger ved ventilationsanlæg". (Standard for fire technical regulations at ventilation plants)

State the roof inclination at order. Max. 55°. 0° will as standard always be delivered with galvanized steel sheet.

Note:

From factory sealed tight around the duct.
 Before the mounting of the transition the seal shall be checked for any damages from transportation and handling. After the mounting the seal shall likewise be checked for any damages from the mounting.
 The seal shall continuously be checked for damages (advisably at least one time per year).

Dimensions



* H-measure = 1000 mm, this measure is only indicative, the height depends on the angle α

GISOL	Ød mm	ØD mm	Fits with hood:			m kg
			VHL	VHP	VHA	
100 224	100	224	X	X	X	10,2
125 250	125	250	X	X	X	12,6
160 280	160	280	X	X	X	14,1
200 315	200	315	X	X	X	17,7
315 400	315	400	X			23,9
315 450	315	450	X		X	26,8
315 500	315	500		X		27,0

Ordering example

