

Motorized shut-off damper

DTBU



Description

Shut-off damper with electric motor.

Consists of a DTU damper with a 24 or 230 V electric motor added. Ø900 and 1000 has two motors.

The motor is controlled by a single-pole breaking contact. The motor has overload protection and stops automatically when the blade has reached its end stop. The stop can be continually adjusted. Although the current is connected, the motor is not damaged if blocked.

The spindle and motor can be disconnected from each other via a release button on the motor housing.

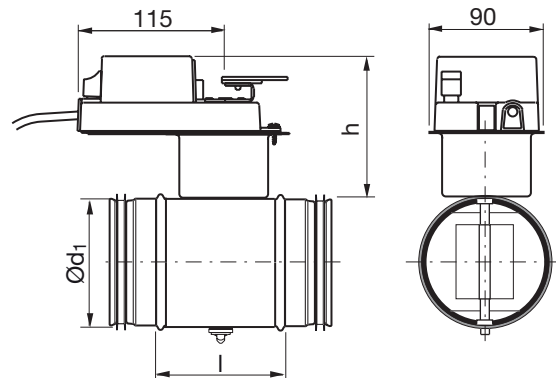
In outdoor installation, the motor should be protected from direct UV radiation.

The motor is installed at a distance from the damper, which makes it easy to insulate the ventilation duct.

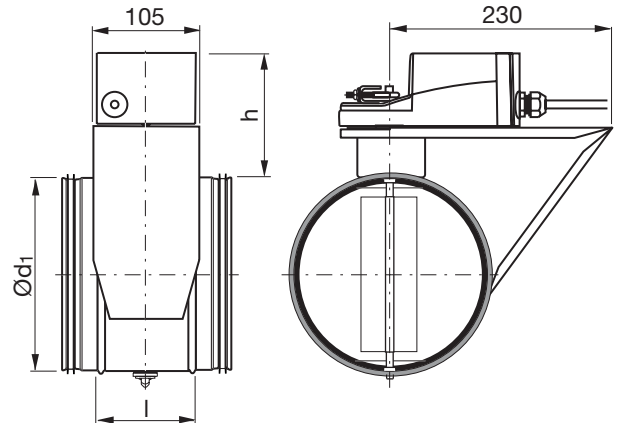
There is a separate assembly, measuring, balancing and maintenance instruction for this product.

Dimensions

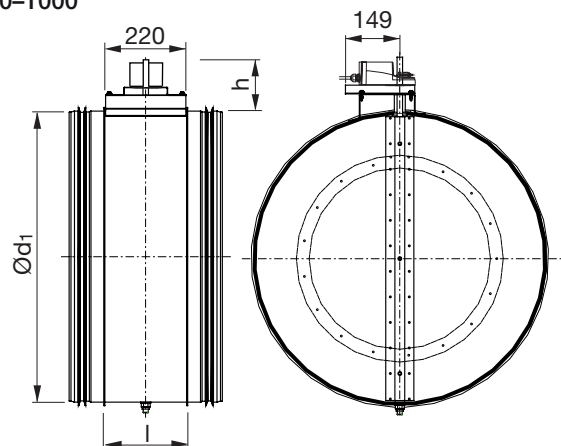
Ø80-500



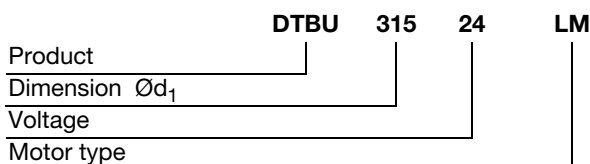
Ø630



Ø710-1000



Ordering example



| |
|----------|
| 1 |
| 2 |
| 3 |
| 4 |
| 5 |
| 6 |
| 7 |
| 8 |
| 9 |
| 10 |
| 11 |
| 12 |
| 13 |
| 14 |
| 15 |
| 16 |
| 17 |
| 18 |

Motorized shut-off damper

DTBU

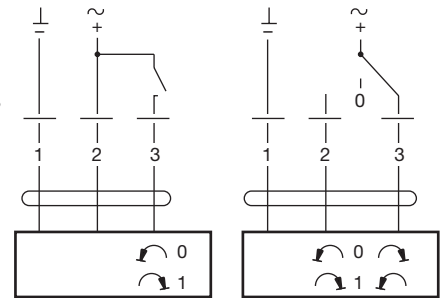
Dimensions

| Ød ₁ nom | l mm | h mm | m kg | Motor type | Sealing class past closed blade | Pressure class in closed posi- tion |
|------------------------|---------|---------|---------|---------------|---------------------------------------|---|
| 80 | 100 | 107 | 1,00 | LM | 4 | C |
| 100 | 100 | 107 | 1,08 | LM | 4 | C |
| 125 | 100 | 107 | 1,23 | LM | 4 | C |
| 160 | 100 | 107 | 1,44 | LM | 4 | C |
| 200 | 100 | 107 | 1,74 | LM | 4 | C |
| 250 | 100 | 107 | 2,22 | LM | 4 | C |
| 315 | 100 | 107 | 2,84 | LM | 4 | C |
| 400 | 100 | 105 | 4,59 | NM | 4 | B |
| 500 | 115 | 105 | 7,29 | NM | 4 | B |
| 630 | 115 | 120 | 10,5 | SM | 4 | B |
| 710 | 230 | 140 | 19,9 | GM | 4 | A |
| 800 | 230 | 140 | 22,4 | GM | 4 | A |
| 900 | 230 | 193 | 31,0 | GM (2x) | 4 | A |
| 1000 | 230 | 193 | 36,0 | GM (2x) | 4 | A |

Technical data for the motors

LM motor

| | LM 24 A-F | LM 230 A-F |
|---------------------------------|--|-----------------------------------|
| Power supply | AC 19,2–28,8 V, 50/60 Hz DC 19,2–28,8 V | AC 65–265 V, 50/60 Hz |
| Power consumption | 1 W | 1,5 W |
| For wire sizing | 2 VA | 4 VA |
| Connection | Cable 1 m, 3x0,75 mm ² | Cable 1 m, 3x0,75 mm ² |
| Operating angle | Max. 95°, adjustable 0–100% | Max. 95°, adjustable 0–100% |
| Torque at rated voltage | Min. 5 Nm | Min. 5 Nm |
| Direction of rotation | Switch selectable 0 ↻ or 1 ↻ | Switch selectable 0 ↻ or 1 ↻ |
| Position indication | Mechanical | Mechanical |
| Running time for 95° | 150 s | 150 s |
| Sound power level | Max. 35 dB (A) | Max. 35 dB (A) |
| Protection class | III Safety extra-low voltage | II Safety insulated |
| Protection type | IP 54 | IP 54 |
| Ambient temperature range | -30 to +50°C | -30 to +50°C |
| Ambient moisture | 95 % RH | 95 % RH |

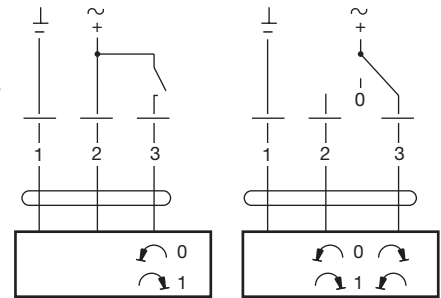


Motorized shut-off damper

DTBU

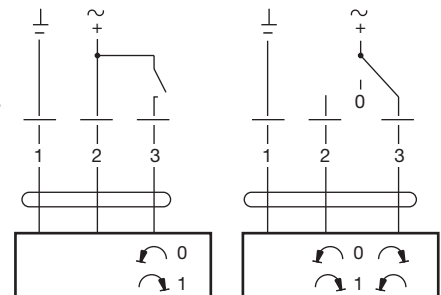
NM motor

| | | |
|--------------------------------|--|-----------------------------------|
| | NM 24 A-F | NM 230 A-F |
| Power supply | AC 19,2–28,8 V, 50/60 Hz DC 19,2–28,8 V | AC 85–265 V, 50/60 Hz |
| Power consumption | 1,5 W | 2,5 W |
| For wire sizing | 3,5 VA | 6 VA |
| Connection | Cable 1 m, 3x0,75 mm ² | Cable 1 m, 3x0,75 mm ² |
| Operating angle | Max. 95°, adjustable 0–100% | Max. 95°, adjustable 0–100% |
| Torque at rated voltage | Min. 10 Nm | Min. 10 Nm |
| Direction of rotation | Switch selectable 0 ↺ or 1 ↻ | Switch selectable 0 ↺ or 1 ↻ |
| Position indication..... | Mechanical | Mechanical |
| Running time for 95° | 150 s | 150 s |
| Sound power level..... | Max. 35 dB (A) | Max. 35 dB (A) |
| Protection class | III Safety extra-low voltage | II Safety insulated |
| Protection type..... | IP 54 | IP 54 |
| Ambient temperature range..... | -30 to +50°C | -30 to +50°C |
| Ambient moisture..... | 95 % RH | 95 % RH |



SM motor

| | | |
|--------------------------------|--|-----------------------------------|
| | SM 24 A | SM 230 A |
| Power supply | AC 19,2–28,8 V, 50/60 Hz DC 19,2–28,8 V | AC 85–265 V, 50/60 Hz |
| Power consumption | 2 W | 2,5 W |
| For wire sizing | 4 VA | 6 VA |
| Connection | Cable 1 m, 3x0,75 mm ² | Cable 1 m, 3x0,75 mm ² |
| Operating angle | Max. 95°, adjustable 0–100% | Max. 95°, adjustable 0–100% |
| Torque at rated voltage..... | Min. 20 Nm | Min. 20 Nm |
| Direction of rotation..... | Switch selectable 0 ↺ or 1 ↻ | Switch selectable 0 ↺ or 1 ↻ |
| Position indication..... | Mechanical | Mechanical |
| Running time for 95° | 150 s | 150 s |
| Sound power level | Max. 35 dB (A) | Max. 35 dB (A) |
| Protection class | III Safety extra-low voltage | II Safety insulated |
| Protection type..... | IP 54 | IP 54 |
| Ambient temperature range..... | -30 to +50°C | -30 to +50°C |
| Ambient moisture..... | 95 % RH | 95 % RH |



| |
|----|
| 1 |
| 2 |
| 3 |
| 4 |
| 5 |
| 6 |
| 7 |
| 8 |
| 9 |
| 10 |
| 11 |
| 12 |
| 13 |
| 14 |
| 15 |
| 16 |
| 17 |
| 18 |

Motorized shut-off damper

DTBU

- 1
- 2
- 3
- 4
- 5
- 6
- 7
- 8
- 9
- 10
- 11
- 12
- 13
- 14
- 15
- 16
- 17
- 18

GM motor

| | GM 24 A | GM 230 A |
|---------------------------------|--|-----------------------------------|
| Power supply | AC 19,2–28,8 V, 50/60 Hz DC 19,2–28,8 V | AC 85–265 V, 50/60 Hz |
| Power consumption | 4,5 W | 4,5 W |
| For wire sizing | 7 VA | 7 VA |
| Connection | Cable 1 m, 3x0,75 mm ² | Cable 1 m, 3x0,75 mm ² |
| Operating angle | Max. 95°, adjustable 0–100% | Max. 95°, adjustable 0–100% |
| Torque at rated voltage | Min. 40 Nm | Min. 40 Nm |
| Direction of rotation | Switch selectable 0 ↺ or 1 ↻ | Switch selectable 0 ↺ or 1 ↻ |
| Position indication | Mechanical | Mechanical |
| Running time for 95° | 150 s | 150 s |
| Sound power level | Max. 45 dB (A) | Max. 45 dB (A) |
| Protection class | III Safety extra-low voltage | II Safety insulated |
| Protection type | IP 54 | IP 54 |
| Ambient temperature range | -30 to +50 °C | -30 to +50 °C |
| Ambient moisture | 95 % RH | 95 % RH |

