

Circular curved silencer

BSLU 50



Description

Lack of space is a frequent problem in air treatment installations. This means that it is often difficult to find enough straight lengths to install a straight silencer.

This problem can be eliminated by installing a curved silencer.

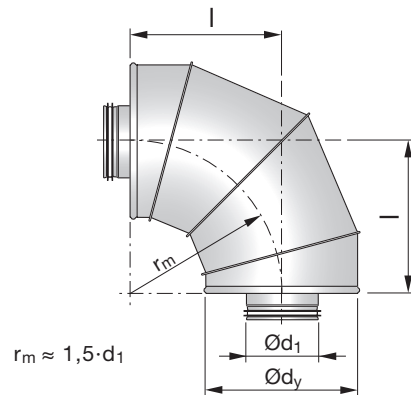
For the same length, it mostly has better attenuation than the equivalent straight silencer. In particular, you get better attenuation at high frequencies (4 and 8 kHz).

Insulation thickness 50 mm.

Fulfils tightness class D.
Tested according to ISO 7235.

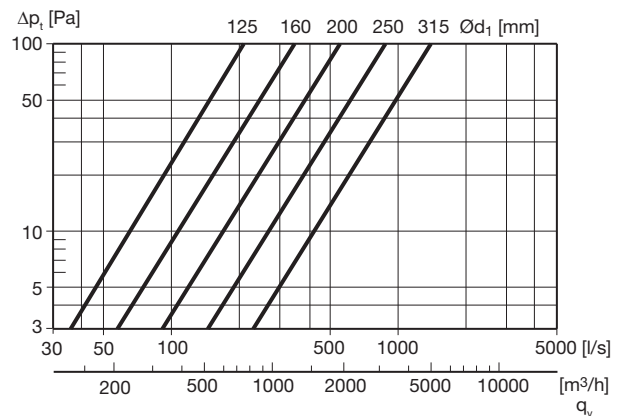
To select the appropriate silencer and optimize connection size and length for the best performance you can use our online tool lindQST or our free to download software DIMsilencer.

Dimensions and sound data



Ød ₁ nom	l [mm]	Insertion loss [dB] for centre frequency [Hz]								Ød _y [mm]	m [kg]
		63	125	250	500	1k	2k	4k	8k		
125	260	3	2	6	14	22	33	26	22	235	3,3
160	285	1	2	6	14	23	29	25	21	270	4,2
200	355	0	2	5	15	29	24	24	20	310	6,3
250	370	1	2	6	17	31	22	27	20	365	10,7
315	370	1	2	7	19	20	17	20	16	427	11,4

Technical data



Order code

Product	BSLU	aaa	50
BSLU			
Connection dim. Ød ₁		Ød ₁ = 125 - 315 mm	
Insulation thickness		50 mm	

Example: BSLU - 200 - 50