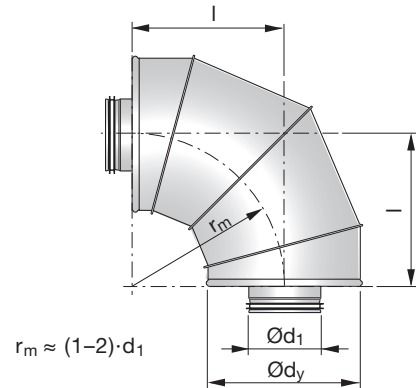


Circular curved silencer

BSLU 100



Dimensions and sound data



Description

Lack of space is a frequent problem in air treatment installations. This means that it is often difficult to find enough straight lengths to install a straight silencer.

This problem can be eliminated by installing a curved silencer.

For the same length, it mostly has better attenuation than the equivalent straight silencer. In particular, you get better attenuation at high frequencies (4 and 8 kHz).

Insulation thickness 100 mm.

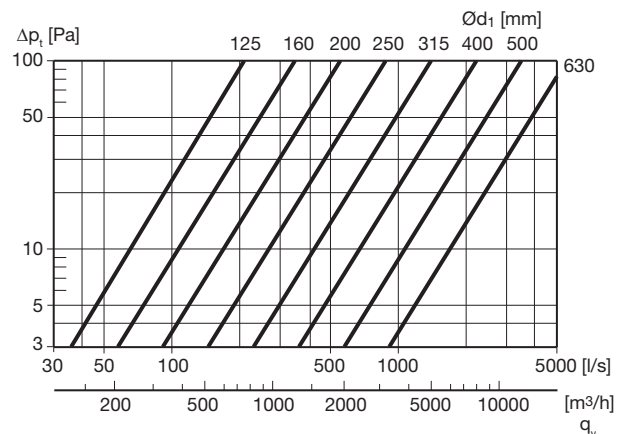
Fulfils tightness class D.
Tested according to ISO 7235.

To select the appropriate silencer and optimize connection size and length for the best performance you can use our online tool lindQST or our free to download software DIMsilencer.

Ød ₁ nom	l [mm]	Insertion loss [dB] for centre frequency [Hz]								Ød _y [mm]	m [kg]
		63	125	250	500	1k	2k	4k	8k		
125	260	7	6	17	22	28	38	33	26	325	7,7
160	280	4	6	13	17	25	33	26	25	365	8,9
200	325	2	5	14	19	29	24	25	22	410	11,8
250	370	3	5	11	15	28	22	26	21	465	16,0
315	375	2	4	10	15	20	17	22	17	510	19,6
400	* 420	2	4	8	13	13	13	14	13	615	29,9
500	* 510	1	4	9	13	10	13	13	12	735	45,0
630	* 610	2	6	13	12	11	12	13	12	880	64,1

* Supplied with two loose couplings.

Technical data



Order code

Product	BSLU	aaa	100
BSLU			
Connection dim. Ød ₁	Ød ₁ = 125 - 630 mm		
Insulation thickness	100 mm		

Example: BSLU - 200 - 100