

# Circular curved silencer

# BSLCU



## Description

BSLCU is a circular curved silencer.

Lack of space is a frequent problem in air treatment installations. This means that it is often difficult to find enough straight lengths to install a straight silencer. This problem can be eliminated by installing a curved silencer. For the same length, it mostly has better attenuation than the equivalent straight silencer. In particular, you get better attenuation at high frequencies (4 and 8 kHz).

Nominal insulation thicknesses are 50 mm or 100 mm.

Attenuation material is mineral wool. The BSLCU's are made of sheet metal and an inner tube made of sheet steel with small openings to be able to withstand mechanical cleaning and at the same time not interfere with the insertion loss. The space between them is filled with mineral wool and a nonwoven cloth is inserted between inner tube and the attenuation material, to prevent fibres from the insulation getting into the duct system. Silencer can be cleaned by rotating nylon brushes, vacuum cleaner or damp cloth.

Tested according to ISO 7235 standard.

Special materials, sizes and flanges on request. Please contact Lindab sales.

To select the appropriate silencer and optimize connection size and length for the best performance you can use our online tool LindQST or our free to download software DIMsilencer.

## Fire classes (According to Swedish regulations) for BSLCU 50

Fire classes without protective distance: EI 30, E 120

With protective distance to:

- evacuation person: 2,5 kW/m<sup>2</sup> EI 120 at distance 50 mm
- combustible materials: 10 kW/m<sup>2</sup> EI 120 at distance 50 mm

## Fire classes (According to Swedish regulations) for BSLCU 100

Fire classes without protective distance: EI 60, E 120

With protective distance to:

- evacuation person: 2,5 kW/m<sup>2</sup> EI 120 at distance 50 mm
- combustible materials: 10 kW/m<sup>2</sup> EI 120 at distance 50 mm

## Order code

Product	BSLCU	d	t
BSLCU			
<b>Connection (d) in mm (Ød<sub>1nom</sub>)</b>			
125 - 315 mm (50 mm insulation)			
125 - 630 mm (100 mm insulation)			
<b>Insulation thickness (t) in mm</b>			
50 or 100 mm			

Example: BSLCU - 200 - 900 - 50

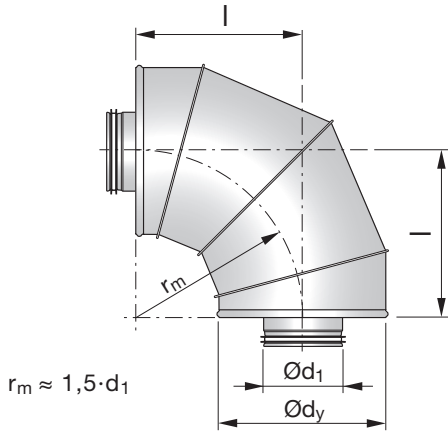


# Circular curved silencer

# BSLCU

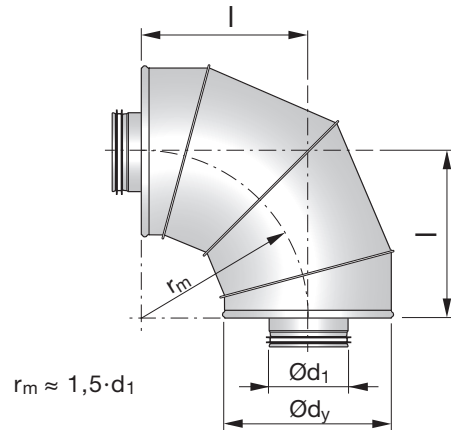
## Technical data for silencer with 50 and 100 mm insulation

Dimensions and sound data for silencer with 50 mm insulation.



Ød <sub>1</sub> nom	l [mm]	Insertion loss [dB] for centre frequency [Hz]								Ød <sub>y</sub> [mm]	m [kg]
		63	125	250	500	1k	2k	4k	8k		
125	260	3	2	6	14	22	33	26	22	235	3,3
160	285	1	2	6	14	23	29	25	21	270	4,2
200	355	0	2	5	15	29	24	24	20	310	6,3
250	370	1	2	6	17	31	22	27	20	365	9,7
315	370	1	2	7	19	20	17	20	16	427	13,6

Dimensions and sound data for silencer with 100 mm insulation.



Ød <sub>1</sub> nom	l [mm]	Insertion loss [dB] for centre frequency [Hz]								Ød <sub>y</sub> [mm]	m [kg]
		63	125	250	500	1k	2k	4k	8k		
125	260	7	6	17	22	28	38	33	26	325	6,9
160	280	4	6	13	17	25	33	26	25	365	8,0
200	325	2	5	14	19	29	24	25	22	410	10,6
250	370	3	5	11	15	28	22	26	21	465	14,4
315	375	2	4	10	15	20	17	22	17	510	17,6
400	* 420	2	4	8	13	13	13	14	13	615	26,9
500	* 510	1	4	9	13	10	13	13	12	735	38,5
630	* 610	2	6	13	12	11	12	13	12	880	57,7

\* Supplied with two loose couplings.

## Technical data

