

Circular curved silencer

BSLCU



Description

BSLCU is a circular curved silencer.

Nominal insulation thicknesses are 50 mm or 100 mm. Lack of space is a frequent problem in air treatment installations. This means that it is often difficult to find enough straight lengths to install a straight silencer. This problem can be eliminated by installing a curved silencer. For the same length, it mostly has better attenuation than the equivalent straight silencer. In particular, you get better attenuation at high frequencies 4 and 8 kHz.

Attenuation material is mineral wool. The BSLCU are made of sheet metal and an inner tube made of sheet steel with small openings to be able to withstand mechanical cleaning and at the same time do not interfere with the insertion-loss. The space between them is filled with mineral wool and a nonwoven cloth are inserted between inner tube and the attenuation material, to prevent fibres from the insulation getting into the duct system. Silencer can be cleaned by rotating nylon brushes, vacuum cleaner or damp cloth.

Technical data for insertion loss, pressure drop and self-generated noise based on test conducted in accordance with ISO 7235.

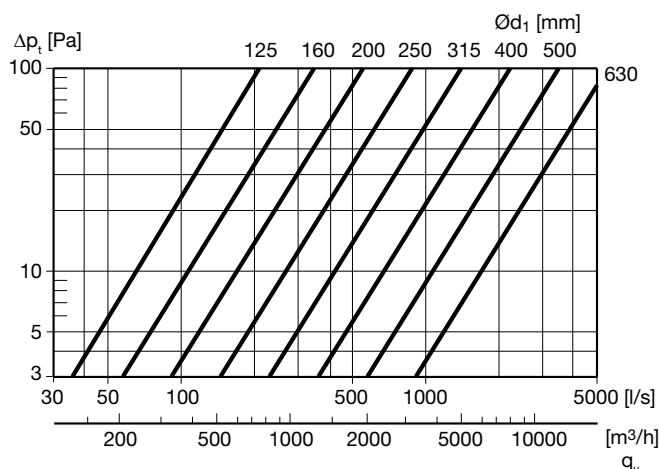
Special materials and sizes, please contact Lindab sales.

Order code

Product	BSLCU	d	t
BSLCU			
Connection (d), in mm ($\varnothing d_{nom}$)			
125 - 315 mm (50 mm insulation)			
125 - 630 mm (100 mm insulation)			
Insulation thickness (t) in mm			
50 or 100 mm			

Example: BSLCU 200 - 900 - 50

Technical data



Fire classes

Fire classes for BSLCU 50 (According to Swedish regulations)

Fire classes without protective distance:

EI 30, E 120

Protective distance to:

- evacuation:

2,5 kW/m² EI 120 at distance 50 mm

- combustible materials:

10 kW/m² EI 120 at distance 50 mm

Fire classes for BSLCU 100 (According to Swedish regulations)

Fire classes without protective distance:

EI 60, E 120

Protective distance to:

- evacuation:

2,5 kW/m² EI 120 at distance 50 mm

- combustible materials:

10 kW/m² EI 120 at distance 50 mm

LindQST

To select the appropriate silencer and optimize connection size and length for the best performance you can use our online tool LindQST or our free to download software DIMsilencer. Visit www.lindQST.com.

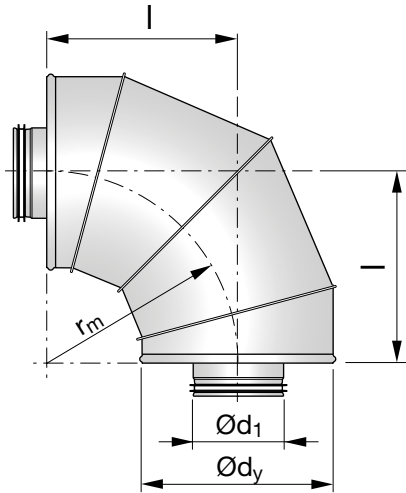


Circular curved silencer

BSLCU

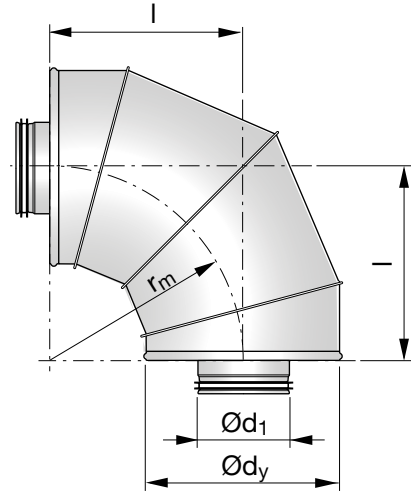
Dimensions and sound data

Dimensions and sound data for silencer with 50 mm insulation.



Ød ₁ [nom] [mm]	l	Insertion loss [dB] for centre frequency [Hz]								Ød _y [mm]	m
		63	125	250	500	1k	2k	4k	8k		
125	260	3	2	6	14	22	33	26	22	235	3,3
160	285	1	2	6	14	23	29	25	21	270	4,2
200	355	0	2	5	15	29	24	24	20	310	6,3
250	370	1	2	6	17	31	22	27	20	365	9,7
315	370	1	2	7	19	20	17	20	16	427	13,6

Dimensions and sound data for silencer with 100 mm insulation.



Ød ₁ [nom] [mm]	l	Insertion loss [dB] for centre frequency [Hz]								Ød _y [mm]	m
		63	125	250	500	1k	2k	4k	8k		
125	260	7	6	17	22	28	38	33	26	325	6,9
160	280	4	6	13	17	25	33	26	25	365	8,0
200	325	2	5	14	19	29	24	25	22	410	10,6
250	370	3	5	11	15	28	22	26	21	465	14,4
315	375	2	4	10	15	20	17	22	17	510	17,6
400 *	420	2	4	8	13	13	13	14	13	615	26,9
500 *	510	1	4	9	13	10	13	13	12	735	38,5
630 *	610	2	6	13	12	11	12	13	12	880	57,7

* Supplied with two loose couplings.