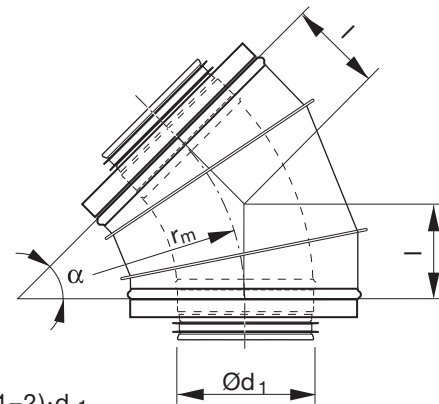


Bend, isol

BFUI 45°



Dimensions



Description

The bend is double-jacketed and insulated with mineral wool, and is supplied with Safe rubber seal in the inner dimension. The inner bend is build in segments.

25 mm insulation.

$\text{Ø}d_1$ nom	l mm	m kg
160	83	2,40
200	104	3,00
250	124	3,80
300	145	5,80
315	147	4,60
355	166	8,80
400	186	14,4
450	207	15,4
500	232	19,0

50 mm insulation.

$\text{Ø}d_1$ nom	l mm	m kg
160	108	3,40
200	124	4,20
250	147	5,10
300	166	7,30
315	166	8,60
355	186	12,0
400	207	14,4
450	232	18,2
500	249	22,3

Ordering example

