

Plenum box wall

PVWU/PVWUU



Description

The plenum box is intended for supply and exhaust air.

PVWU has female connection and is intended to accommodate directly a valve. PVWUU has Lindab Safe® connection and is intended to accommodate a valve with a duct.

It is designed for wall installation but can be used at other locations as well.

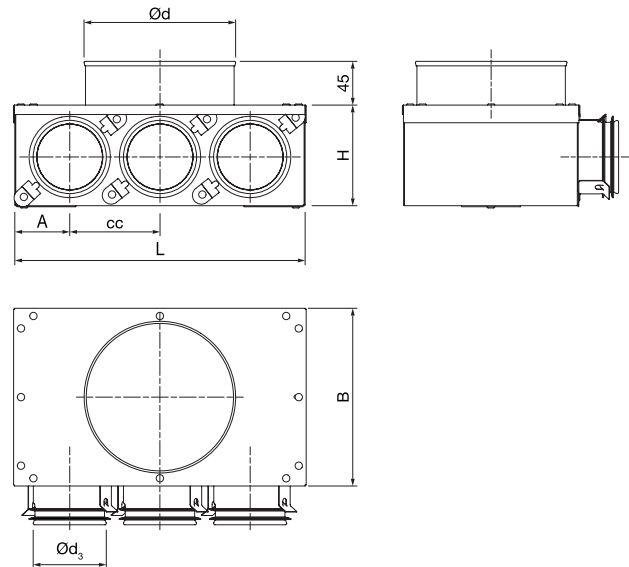
All types have couplings with Lindab safe sealings for connections of SR spiral-seamed ducts or semiflexible ducts LFPE. Boxes with Ø 76 couplings with Lindab safe sealings are intended for direct connection of the semiflexible duct LFPE. It is not intended for SR spiral-seamed duct.

The Smart Lock function allows you to fasten LFPE effortlessly to the Safe couplings.

Fulfils the requirements for air tightness class D.

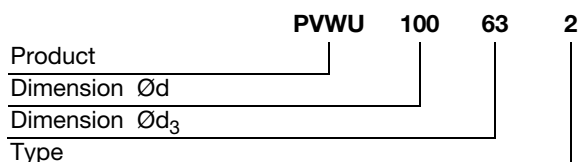
The shown pressure drop is for the box alone, which means that the pressure drop for the valve has to be added.

Dimensions



Ød nom	Ød ₃ nom	Type	L mm	B mm	H mm	cc mm	A mm	m kg
80	63	1	174	126	85	-	87	0,55
100	63	1	174	126	85	-	87	0,56
100	63	2	174	126	85	78	48	0,59
100	63	3	249	126	85	78	47	0,83
125	63	1	174	151	85	-	87	0,57
125	63	2	174	151	85	78	48	0,60
125	63	3	249	151	85	78	47	0,84
80	76	1	174	126	103	-	87	0,56
100	76	1	174	126	103	-	87	0,57
100	76	2	249	126	103	126	62	0,60
125	76	1	249	151	103	-	125	0,80
125	76	2	249	151	103	126	62	0,84
125	76	3	321	151	103	100	61	0,90
100	80	1	174	126	103	-	87	0,57
125	80	1	249	151	103	-	125	0,80
125	80	2	249	151	103	126	62	0,84

Ordering example

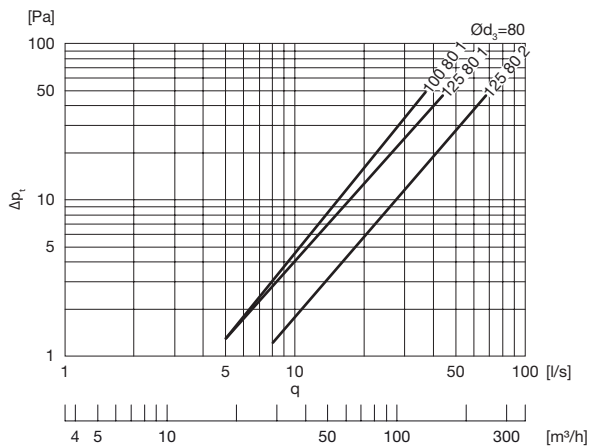
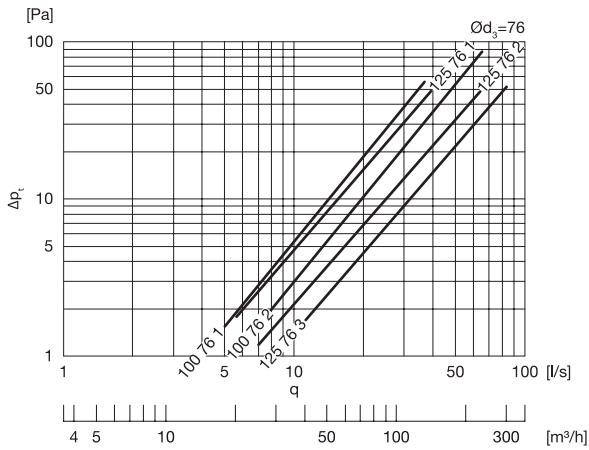
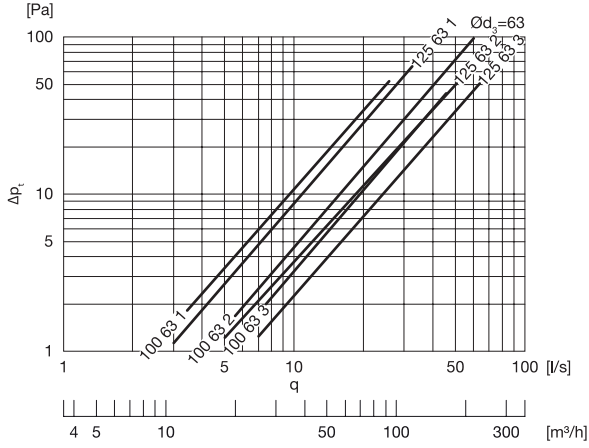


Plenum box wall

PWWU/PWWUU

Technical data

Supply



Extract

