

# UltraLink Monitor

# FTMU



## Description

### Application

The Monitor is suitable for measuring air flow and temperature. Communication is established via analog or digital signal using Modbus.

The Monitor can also be commissioned via Bluetooth.

The UltraLink App is the perfect tool to monitor the airflow directly via a mobile device, which speeds up installation and commissioning.

### Design

The Monitor consists of a sensor body with Lindab Safe gaskets. Two flow sensors are mounted on the sensor body and connected to a display unit. The display unit is mounted on top of a shelf on the sensor body.

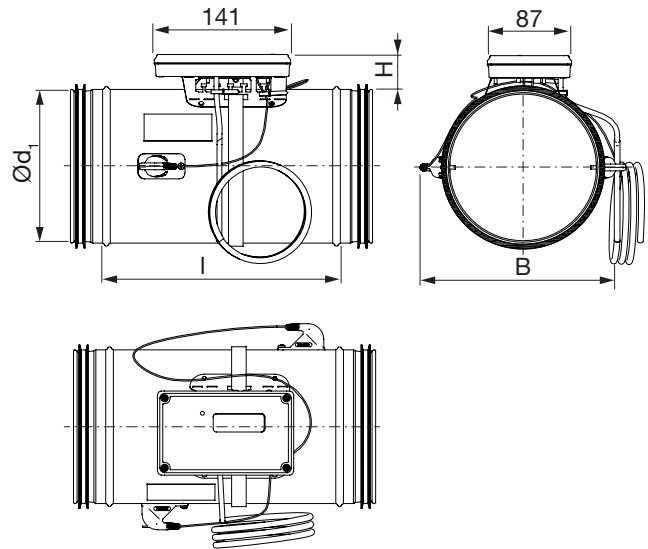
The product has a pre-mounted cable which makes it easy to connect. The shelf, FTES, can be used for mounting equipment such as an electrical junction box or a Regula Combi.

### Maintenance

Normally does not require any maintenance.

The visible parts of the device can be wiped with a damp cloth.

## Dimensions



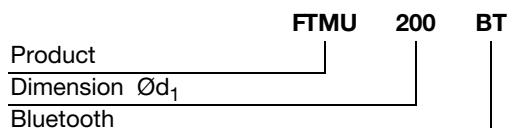
Ød <sub>1</sub> nom	l mm	H mm	B mm	m kg
100	186	33	160	0,58
125	212	36	185	0,72
160	245	40	220	0,94
200	284	42	260	1,24
250	337	44	310	1,80
315	402	44	375	2,51
400	508	44	470	4,60
500	598	44	570	8,00
630	738	44	700	12,4

## Special versions

We can supply FTMU with the following special designs:

- White (RAL 9003)
- Black (RAL 9005)
- Stainless steel 4404 (acid-proof)

## Ordering example



## UltraLink Monitor

## FTMU

## Technical data

Power supply	DC	24 (18-32)	V
	AC	24 (24-32)	V
Cable	Max outer diameter	7	mm
Power consumption		0,4	W
Power consumption	For wiring	0,5	VA
Premounted cable	Length	0,7	m
IP class		42	
Tightness class to the environment	EN 12237	D	
Storage temperature range		-30 to +50	°C
Maximum ambient moisture		95	% RH
Connection	RS485 standard or analog		
Cabel	RS485 standard cable, 2-wire shielded twisted pair, min. 0,1 mm <sup>2</sup> (LIYCY cable)		
Protocol	Modbus		
Output	Flow		m <sup>3</sup> /h
	Flow		l/s
	Velocity		m/s
	Temperature		°C
Velocity range	For guaranteed flow accuracy	0,2-15	m/s
Measurement uncertainty flow (assuming correct installation.)	Depending on which is the greatest of the percentage or the absolute number for the specific products size.	±5	% or
		Dim. 100 = ±1,00	l/s
		Dim. 125 = ±1,25	l/s
		Dim. 160 = ±1,60	l/s
		Dim. 200 = ±2,00	l/s
		Dim. 250 = ±2,50	l/s
		Dim. 315 = ±3,15	l/s
		Dim. 400 = ±4,00	l/s
	Dim. 500 = ±5,00	l/s	
	Dim. 630 = ±6,30	l/s	
Temperature range		-10 to +50	°C
Measurement uncertainty temperature		±1	°C
Screws on of lid display unit	Phillips	4	pcs
Bluetooth radio	Frequency	2402–2480	MHz
	Output power	-40 to +9	dB