

Regulating damper

DTBVU



Description

Continuous regulating damper with electric motor for balancing the flow.

DTBVU is a damper, which facilitates continuously balancing of ventilation systems and can be controlled by a superior control system.

Consists of a DTU damper with a 0-10 V continuous regulating 24 electric motor.

The motor shall be completed with control signal transmitter e.g. an external potentiometer or a proportionally regulating thermostat.

The motor has overload protection and stops automatically when the blade has reached its end stop. The stop can be continually adjusted. Although the current is connected, the motor is not damaged if blocked. The (0)2-10 V control signal corresponds to 0-90°.

The spindle and motor can be disconnected from each other via a release button on the motor housing.

In outdoor installation, the motor should be protected from direct UV radiation.

The motor is installed at a distance from the damper, which makes it easy to insulate the ventilation duct.

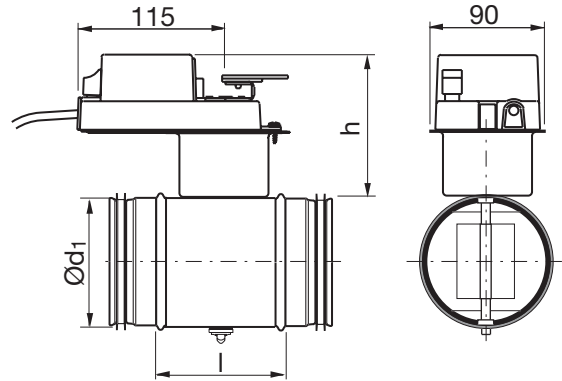
There is a separate assembly, measuring, balancing and maintenance instruction for this product.

Ordering example

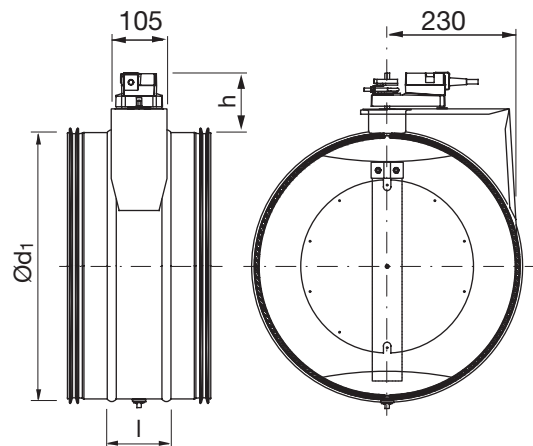
	DTBVU	200	24	LMSRF
Product				
Dimension Ød ₁				
Voltage				
Motor type				

Dimensions

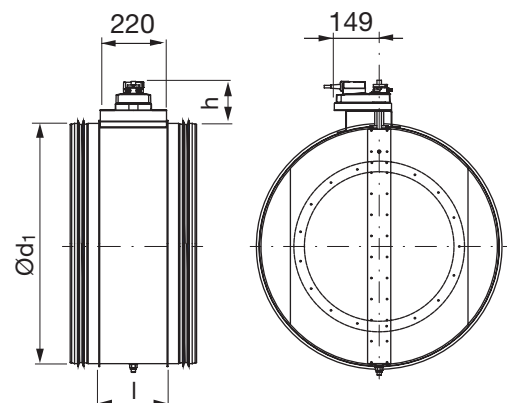
Ø80-500



Ø630



Ø710-800



Regulating damper

DTBVU

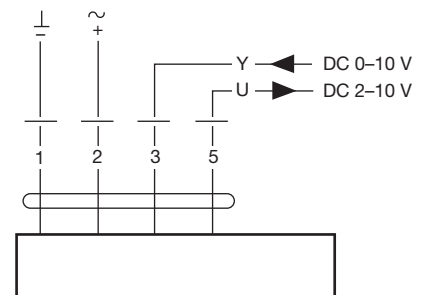
Dimensions

Ød ₁ nom	l [mm]	h [mm]	m [kg]	Motor type	Sealing class past closed blade	Pressure class in closed posi- tion
80	100	107	1,00	LM-SR	4	C
100	100	107	1,08	LM-SR	4	C
125	100	107	1,23	LM-SR	4	C
160	100	107	1,44	LM-SR	4	C
200	100	107	1,74	LM-SR	4	C
250	100	107	2,22	LM-SR	4	C
315	100	107	2,84	LM-SR	4	C
400	100	114	4,59	NM-SR	4	B
500	115	114	7,29	NM-SR	4	B
630	120	112	10,2	SM-SR	4	B
710	230	140	19,9	GM-SR	4	A
800	230	140	22,4	GM-SR	4	A

Technical data for the motors

LM-motor

	LM 24 A-SR
Power supply	AC 19,2–28,8 V, 50/60 Hz DC 19,2–28,8 V
Power consumption	1 W
For wire sizing	2 VA
Connection	Cable 1 m, 4x0,75 mm ²
Operating angle	Max. 95°, adjustable 0–100%
Torque at rated voltage	Min. 5 Nm
Operating range Y	DC (0)2-10 V
Direction of rotation	Switch selectable 0 ↺ or 1 ↻
Position indication.....	Mechanical
Running time for 95°	150 s
Sound power level	Max. 35 dB (A)
Protection class	III Safety extra-low voltage
Protection type.....	IP 54
Ambient temperature range.....	-30 to +50°C
Ambient moisture.....	95 % RH

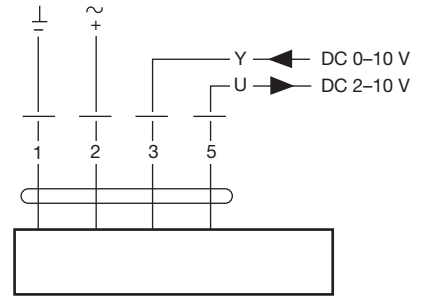


Regulating damper

DTBVU

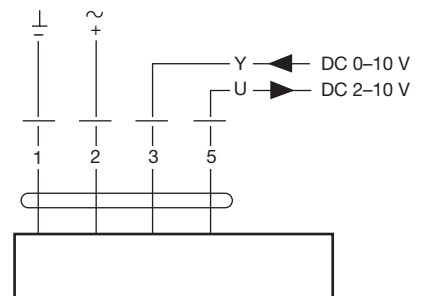
NM-motor

NM 24 A-SR	
Power supply	AC 19,2–28,8 V, 50/60 Hz DC 19,2–28,8 V
Power consumption	2 W
For wire sizing	4 VA
Connection	Cable 1 m, 4x0,75 mm ²
Operating angle	Max. 95°, adjustable 0–100%
Torque at rated voltage	Min. 10 Nm
Operating range Y	DC (0)2-10 V
Direction of rotation	Switch selectable 0 ↺ or 1 ↻
Position indication.....	Mechanical
Running time for 95°	150 s
Sound power level	Max. 35 dB (A)
Protection class	III Safety extra-low voltage
Protection type.....	IP 54
Ambient temperature range.....	-30 to +50°C
Ambient moisture.....	95 % RH



SM-motor

SM 24 A -SR	
Power supply	AC 19,2–28,8 V, 50/60 Hz DC 19,2–28,8 V
Power consumption	2 W
For wire sizing	4 VA
Connection	Cable 1 m, 4x0,75 mm ²
Operating angle	Max. 95°, adjustable 0–100%
Torque at rated voltage	Min. 20 Nm
Operating range Y	DC (0)2-10 V
Direction of rotation	Switch selectable 0 ↺ or 1 ↻
Position indication.....	Mechanical
Running time for 95°	150 s
Sound power level	Max. 35 dB (A)
Protection class	III Safety extra-low voltage
Protection type.....	IP 54
Ambient temperature range.....	-30 to +50°C
Ambient moisture.....	95 % RH



Regulating damper

DTBVU

GM-motor

	GM 24 A-SR
Power supply	AC 19,2–28,8 V, 50/60 Hz DC 19,2–28,8 V
Power consumption	4,5 W
For wire sizing	7 VA
Connection	Cable 1 m, 4x0,75 mm ²
Operating angle	Max. 95°, adjustable 0–100%
Torque at rated voltage	Min. 40 Nm
Operating range Y	DC (0)2-10 V
Direction of rotation	Switch selectable 0 ↺ or 1 ↻
Position indication.....	Mechanical
Running time for 95°	150 s
Sound power level.....	Max. 45 dB (A)
Protection class	III Safety extra-low voltage
Protection type.....	IP 54
Ambient temperature range.....	-30 to +50°C
Ambient moisture.....	95 % RH

