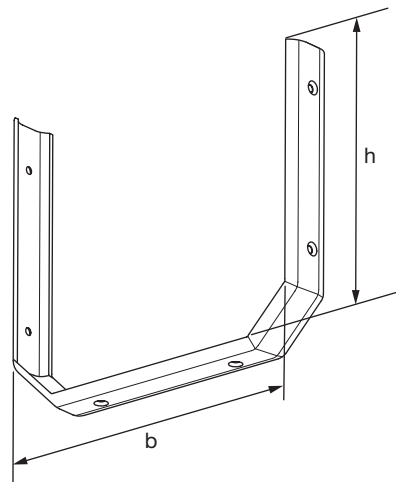


U outer panel joint

CPJUO



Dimensions



Description

Outer panel joint to hide gap between panels. Is used with three inner panel joints and six panel joint screws, FTK.

Materials and finish

Colour
White RAL 9002, gloss 30

b mm	h mm	m kg
192	166	0,08

Ordering example

Product **CPJUO**