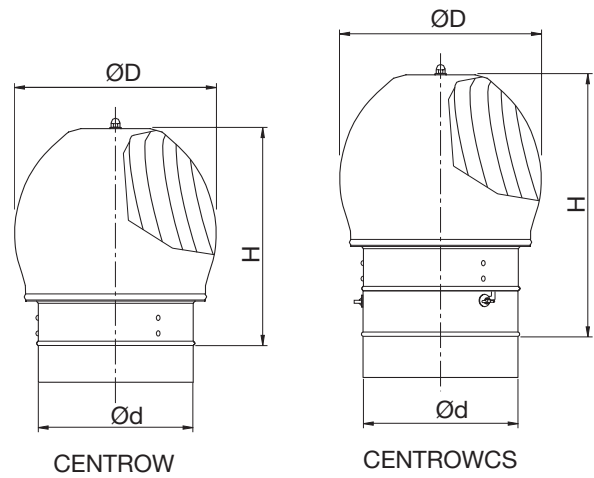


Chimney root centrowent

CENTROW



Dimensions



Description

The rotating hood, Centrowent, is a product that with help of the dynamics (chimney effect) in a vertical duct/ "chimney", ensures that the self-draft is increased by help of the wind.

The turbine always rotates in the same direction no matter for the wind strength or its direction.

Centrowent should not be used on a chimney for waste gas or smoke discharge.

Characteristics

- No corrosion – collar, rotor and flange made of not acid proof stainless steel
- Light weight
- Quiet operation – rotor bearings
- Easy cleaning – rotor fixed to axle with screw

| Ød mm | Tol ± mm | ØD mm | H mm | |
|----------|----------------|----------|---------|-----------|
| | | | CENTROW | CENTROWCS |
| 130 | 0,5 | 195 | 260 | 310 |
| 150 | 0,5 | 225 | 280 | 330 |
| 160 | 0,5 | 240 | 290 | 340 |
| 200 | 0,5 | 300 | 350 | 400 |
| 250 | 0,5 | 360 | 425 | 475 |
| 300 | 0,5 | 430 | 440 | 490 |

Ordering example

