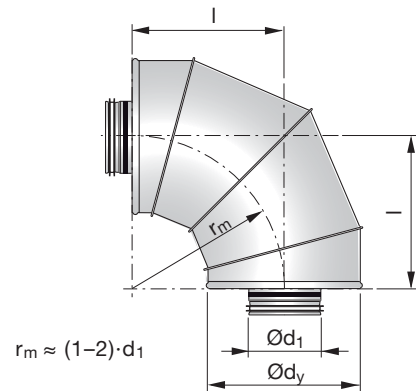


Circular curved silencer

BSLUSS2 100



Dimensions and sound data



Description

Lack of space is a frequent problem in air treatment installations. This means that it is often difficult to find enough straight lengths to install a straight silencer.

This problem can be eliminated by installing a curved silencer.

For the same length, it mostly has better attenuation than the equivalent straight silencer. In particular, you get better attenuation at high frequencies (4 and 8 kHz).

Insulation thickness 100 mm.

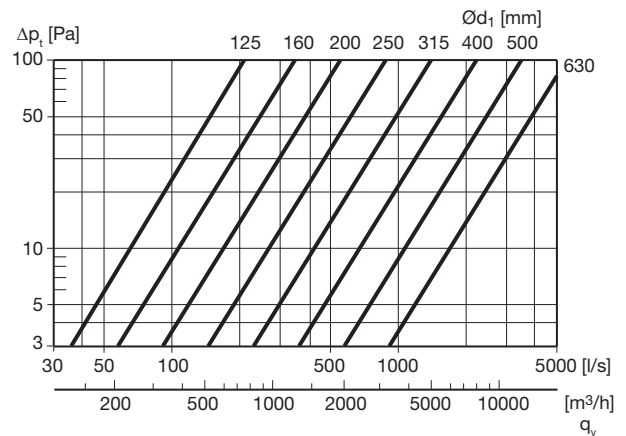
Tested according to ISO 7235.

The product is CE marked according to EN 12101-7 and used in a circular smoke control system - single compartment (see declaration of performance).

Ød ₁ nom	l mm	Attenuation [dB] for centre frequency [Hz]								Ød _y mm	m kg
		63	125	250	500	1k	2k	4k	8k		
125	260	7	6	17	22	28	38	33	26	325	7,7
160	280	4	6	13	17	25	33	26	25	365	8,9
200	325	2	5	14	19	29	24	25	22	410	11,8
250	370	3	5	11	15	28	22	26	21	465	16,0
315	375	2	4	10	15	20	17	22	17	510	19,6
400	* 420	2	4	8	13	13	13	14	13	615	29,9
500	* 510	1	4	9	13	10	13	13	12	735	45,0
630	* 610	2	6	13	12	11	12	13	12	880	64,1

* Supplied with two loose couplings.

Technical data



Order code

Product BSLUSS2 **aaa** **100**
 BSLUSS2
Connection dim. Ød₁
 Ød₁ = 125 - 630 mm
Insulation thickness
 100 mm

Example: BSLUSS2 - 200 - 100