

Axial

AOF



Description

Innovative exhaust fan with stylish design for new comfort level in shower rooms, bathrooms, kitchens and other residential premises. This product has an IP44 rating. Intellectual integrated control functions let adjust personal settings for the most balanced microclimate. Unique motor design and aerodynamic impellor profile ensures minimum noise levels with maximum airflows. The standard model comes with intellectual functions:

- **Humidity mode** – The fan is equipped with an intellectual humidity sensor with three operation modes:
 - SLEEP: the fan is ready to accept a signal from the humidity sensor or external switch.
 - SILENT: optimum humidity extraction mode that provides sufficient air capacity (up to 83 m³/h) combined with silent operation.
 - MAX: excessive humidity extraction mode with highest speed and maximum air capacity (up to 133 m³/h).
- **Timer mode** – The fan is equipped with three timers:
 - HUMIDITY TIMER: setting of the fan operation for total humidity extraction after its stabilization (30, 45, 60 min).
 - TURN-OFF TIMER: the fan continues operation for 5, 15 or 30 minutes after activation of the motion sensor or the external switch and then reverts to the previous operation mode.
 - SWITCH DELAY TIMER: adjust the switch delay timer to avoid the fan unnecessary switching if you use your bathroom shortly and frequently. After humidity increases or after signal from the external switch/motion sensor, the fan switches to higher speed not immediately, but after the timer countdown (0, 2 and 5 minutes).

Ordering example

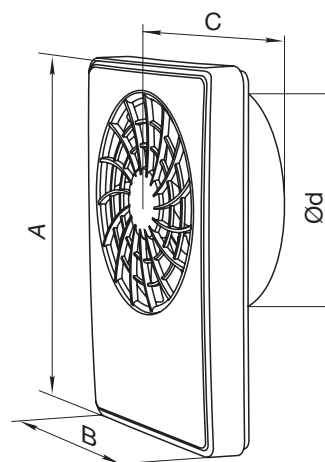
Product code	AOF	100/125
Dimension Ød		

- **Speed mode** – The fan has smooth ten step speed control:
 - for SILENT mode: from 40/33 to 83/72 m³/h (Ø 125/100 mm);
 - for MAX mode: from 83/72 to 133/106 m³/h (Ø 125/100 mm);
- **24 Hours mode** – Permanent low-speed operation mode ensures continuous minimum air exchange in the room with air capacity 40/33 m³/h (Ø 125/100 mm). After humidity change the fan is switched to MAX mode (by default) or SILENT mode. The fan is switched to SILENT mode after signal from the motion sensor or external switch.
- **Automatic interval ventilation** – Integrated function of automatic ventilation switching. Once in 15 hours the fan is switched on for 2 hours to ventilate the premise with air capacity 83/72 m³/h (Ø 125/100 mm).

Alternate Versions

AOF As Above
 AOFC Being equipped with a temperature sensor AOFC can detect a heat level increase and ensure efficient ventilation by balancing warm air streams among spaces. Maximum air capacity up to 133 m³/h

Dimensions



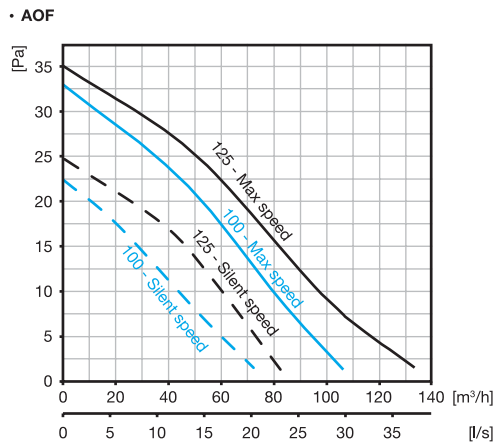
Product	A mm	B mm	C mm	m kg
AOFC 100/125	206	152	57	0,63
AOF 100/125	206	152	57	0,63

- 1
- 2
- 3
- 4
- 5
- 6
- 7
- 8
- 9
- 10
- 11
- 12
- 13
- 14
- 15
- 16
- 17
- 18

Axial

AOF

Technical data



Product	Connexion diameter mm	Mode	Frequency Hz	Voltage V	Electric Power Input W	Maximum air capacity m³/h	Air Flow Control Range m³/h	Sound pressure level at 3 m dB(A)	Max. operating temperature °C	SEC class	IP
AOF/AOFC	100	24 hours SILENT MAX	50	230	up to 3.8 W	33 72 106	- 33-72 72-106	17 22 31	+45	*	44
		24 hours SILENT MAX				40 83 133	- 40-83 83-133	17 21 32			
AOF/AOFC	125	24 hours SILENT MAX	50	230	up to 3.8 W	40 83 133	- 40-83 83-133	17 21 32	+45	*	44
		24 hours SILENT MAX				40 83 133	- 40-83 83-133	17 21 32			

(*): Regulation 1254/2014 does not apply if electric power input < 30 W