








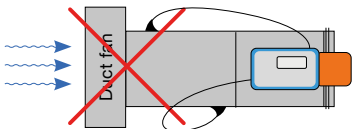
2021-12-08

Lindab **UltraLink[®]** Controller FTCU


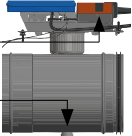
Mounting instruction



[For installation video, click here >>](#)


<p>Please note:</p> <ul style="list-style-type: none"> • Do not remove the transducers! • Do not use transducers as handles when you mount the FTCU since this may cause damage! 	 <p>Transducers</p>
<ul style="list-style-type: none"> • Make sure the airflow arrow is pointing in the direction of the airflow. 	 <p>Airflow direction arrow</p>
<ul style="list-style-type: none"> • Rotate the sensor body to the correct position according to next page. 	 <p>Flange</p>
<ul style="list-style-type: none"> • On FTCU's sizes 400 – 630 loosen the nut so the sensor body can be turned into the desired position. The flange must then be fastened by tightening the nut. 	
<ul style="list-style-type: none"> • Position the display so it is visible from a suitable direction. 	
<ul style="list-style-type: none"> • Mount the FTCU into the air duct system according to the mounting instructions for Lindab Safe. 	
<ul style="list-style-type: none"> • When the FTCU is positioned accurately it should be fixed with screws to the damper body in the same way as when you connect ducts and fittings. 	
<ul style="list-style-type: none"> • Never use a FTCU on the outlet side of a duct fan. Place it on the inlet side or in worst case use a flow conditioner if it must be placed on the outlet side. • The longer distance to disturbance, i.e. the longer straight duct before the UltraLink®, the higher the measurement accuracy will be. 	

Please note:

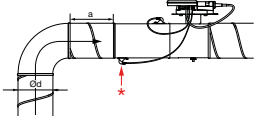
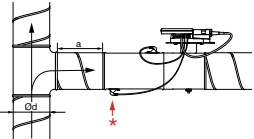
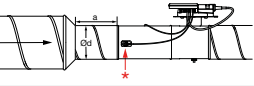
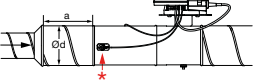
- The motor direction switch must always be set to “1” as supplied.
 
- If the damper needs to be turned manually, then press the manual override button on the motor and turn the damper shaft with a 8 mm wrench or similar.
 
- Note the ID-number of the FTCU. The ID is the three last numbers of the serial number and can be found:
 - on the label of the box it was delivered in
 - on the label on the FTCU itself
 - in the display after pressing the “MODE” button
 - in the App when the product is on

Controller FTCU Ø125

Serial no. 13260 052

 Lindab® UltraLink

Positioning

Disturbance	* Placement of first flow sensor	Measurement uncertainty ± % or X l/s depending which is the greatest*			
		A			
		2-4×Ød	>4-5×Ød	>5×Ød	
Bend		Inner radius (Best position)	5	5	5
T-piece		Inner radius (Best position)	10	5	5
Reducer		Duct diameter decrease	5	5	5
Reducer		Duct diameter increase	10	5	5

* ±5 % or l/s (Ø100 = ±1,00, Ø125 = ±1,25, Ø160 = ±1,60, Ø200 = ±2,00, Ø250 = ±2,50, Ø315 = ±3,15, Ø400 = ±4,00, Ø500 = ±5,00, Ø630 = ±6,30)

Declaration of incorporation for partly completed machinery and FCC statement

1. Declaration number	1002
2. Unique identification code of the product	FTCU
3. Type	Ultrasonic device
4. Product description	Measuring and controlling air flow and measuring temperature
5. Manufacturer	Lindab Ventilation AB Stålhögavägen 115, 26982 Båstad, Sweden Telephone +46 431 85000, www.lindab.com

Developed, designed and manufactured with the essential requirements by safe and security of the European Directive(s) and Regulation(s):		
2006/42/EC 1.1.2, 1.1.3, 1.3.4	Machinery Directive (MD)	Partly completed machinery must not be put into service until the final machinery into which it is to be incorporated has been declared in conformity with the provisions of the Machinery directive 2006/42/EC. We undertake to transmit, in response to a request by the national authorities, relevant information on the product.
2014/30/EU	Electromagnetic Compatibility Directive (EMC)	
2011/65/EU & 2015/863/EC	Restriction of Hazardous Substances (RoHS)	

The partly completed machinery is developed, designed and manufactured with the essential requirements of the following standards:	
EN 61000-6-1:2002 - Part 6-1	Generic standards - Immunity for residential, commercial and light-industrial environments
EN 61000-6-2:2005 - Part 6-2	Generic standards - Immunity for industrial environments
EN 61000-6-3:2002 - Part 6-3	Generic standards - Emission standard for residential, commercial and light-industrial environments
EN 61000-6-4:2002 - Part 6-4	Generic standards - Emission standard for industrial environments

FCC cuation and statement
<p>This device complies with Part 15 of the FCC Rules. Operation is subject to the following two conditions: (1) this device may not cause harmful interference, and (2) this device must accept any interference received, including interference that may cause undesired operation. Changes or modifications not expressly approved by the part responsible for compliance could void the user's authority to operate the equipment. This equipment complies with FCC exposure limits set forth for an uncontrolled environment.</p> <p>"This equipment has been tested and found to comply with the limits for a Class B digital device, pursuant to part 15 of the FCC Rules. These limits are designed to provide reasonable protection against harmful interference in a residential installation. This equipment generates, uses and can radiate radio frequency energy and, if not installed and used in accordance with the instructions, may cause harmful interference to radio communications. However, there is no guarantee that interference will not occur in a particular installation. If this equipment does cause harmful interference to radio or television reception, which can be determined by turning the equipment off and on, the user is encouraged to try to correct the interference by one or more of the following measures:</p> <ul style="list-style-type: none"> • Reorient or relocate the receiving antenna. • Increase the separation between the equipment and receiver. • Connect the equipment into an outlet on a circuit different from that to which the receiver is connected. • Consult the dealer or an experienced radio/TV technician for help."

This declaration of conformity is established under the sole responsibility of the manufacturer identified in point 5.

Signed for and on behalf of the manufacturers by:



Authorised person:
Karel Kleinmond
Group Operations Director
2021-01-18 Karlovarska, Czech Republic