

Lindab Smart tools

Tools that make your job easier, faster and less demanding



Smart tools that make your job easier, faster and less demanding

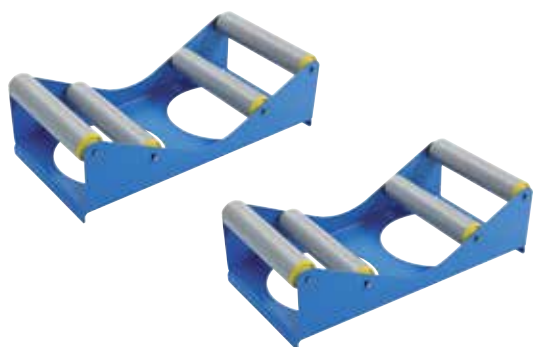
Time is limited and the working conditions are not always at its best. Lindab always strives to simplify construction and now we can present a new product range which aims on making your working day easier and on giving you better working conditions. At the same time you can save time, be kind to your body and ensure good quality when cutting ducts and mounting the duct system.

SR Cutter and SR Roller for improved cutting conditions

SR Roller

SRR is a cradle for cutting of ducts with \varnothing 315–1250 mm. The duct is placed on two or three cradles for simple, fast and ergonomically correct rotating while marking of cut length and at cutting.

The cradle substantially reduces the need of free floor space, and makes it easier to arrange a proper working place e.g. with simpler cord handling.



Advantages - SR Roller

The SR Roller lifts the duct from the floor surface which leads to the following advantages:

- easier to insert fittings in the duct,
- easier to slip on flat bar flanges.

The duct being easy to rotate also leads to the following advantages:

- full access all around and better working position to screw/rievet a fitting,
- easier to cut hole for and to screw/rievet e.g. a saddle piece.

Painted ducts run much smaller risk of being scratched.

Easily damaged floors run much smaller risk of being damaged.

New and improved!

SR Cutter 2

At Lindab we strive to improve our customers' every day working conditions. The SR Cutter gives you a fast, accurate and safe cut of ducts. This tool will make your job easier, faster and less demanding.

Soon we will bring you a new and updated version of our popular smart tool – the SR Cutter.



Set the desired duct length



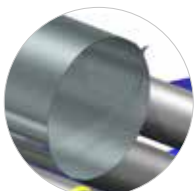
Position the duct



Make a starting point for cutting



Cut with the electric shears



You get a perfectly clean cut in no time



Cut the needle



Add Click notches to the duct



The SR Cutter folds easily and is fully portable

Advantages - SR Cutter 2

- Easy and fast cutting.
- Ergonomically correct cutting.
- Perpendicular cutting.
- Easy to mark the correct length while rotating the duct.
- No sparks from angle grinder and less noise.
- Easy to handle and transport.
- Separate tool for cutting the duct needle and a knife arm to make a hole for the shears.
- Gives you a more secure working place and less injuries.

Improvements on new version

- Shorter and lighter.
- Adjustable feet and lower working height.
- Dimension markings on the stand.
- More ergonomic knife arm.
- Wider wheelbase leads to a stable construction.

Leakage Tester makes leakage testing easy

New and improved version!

Leakage Tester



LTEST is a complete equipment for field measuring of leakage in duct systems. All is contained in two trunks with shock-absorbing cladding.

It consists of a combined measuring and pressurizing unit with connection hoses and adapters to the duct system. Thermal printer for (cordless) printing of reports, user manual, seal-off bladders with sealing clamps and

an air pump for sealing off circular ducts. The range of seal-off bladders can be used to seal off the dimensions Ø 100–630.

Advantages - Leakage Tester

- The unit automatically calculates leakage, leakage factor and whether the chosen leakage class is achieved.
- The unit automatically runs the measurement cycle according to the standards EN 12237 and EN 1507.
- The fully automatized operation makes the whole measurement process considerably faster and easier.
- Can also be run in manual mode.
- Simple to handle, carry and store.
- All is built in - no loose meters.
- The unit automatically regulates to the chosen pressure.
- A handheld printer with IR-port makes it possible to get a quick report instantly.

Improvements - Leakage Tester

- Improved measuring range.
- Easier operation.
- Two modes, expert or laboratory.
- Data storage.
- USB-connection for data transfer.
- Colour display with extensive information.

Tools to improve your every day working conditions

Carrying Handle



SRH is a carrying handle which makes it substantially easier to manually move circular ventilation ducts at the building site. The handle fits ducts \varnothing 315–1250, but it is adequate to limit its use to the sizes \varnothing 400–800. You ought not to exceed the recommended maximum carrying weight of 25 kg per person. One person at each duct end uses a handle each.

Advantages - Carrying Handle

- Connects and disconnects in a moment.
- Provides a superior better and more secure grip compared to hold directly on to the duct.
- Can be gripped with one or two hands.
- Can be held on the shoulder to relieve the load on the arms.
- Eliminates the risk of hitting the legs to the edge of the duct and makes it possible to walk with “normal” step length.
- Gives a much better all-around-view and in particular you can see where you put your feet.

Markingmeasure



TALMET is a combination tool for measuring and marking of lengths up to 3 m. Measures both external and internal lengths. Equipped with three steel scribing edges for marking. Locks the setting automatically and has a two-step release mechanism.

π - scale for direct reading of the diameter when measuring the circumference.

Advantages - Markingmeasure

- No need to see the scale, i.e. measurements can be taken at hard-to-reach or dark places.
- Transfers a measure directly without any need to read the scale, nor to remember nor to set the measure.
- Can be operated with one hand only.
- Can be used as a scratch gauge.
- Can be used as a spacer or gauge block.
- Can be used as a scribe-compass.
- Easily exchangeable scale and extender.
- Small dimensions – goes into any pocket.

Heavy duty knife



KNIFE is a sturdy and durably sharpened knife for tough tasks e.g. hole-making in ventilation ducts. The blade is manufactured of 3 mm Japanese carbon steel and sharpened with double edge angles. The handle and sheath are manufactured of extra impact resistant PP plastic.

Advantages - Heavy duty knife

- The sheath has a unique function to attach around a button on the clothing or to a belt so it doesn't fall off, at the same time it is easy to remove.
- Due to the thickness of the blade and the double edge angles it makes a perfect hole in the duct when cutting with a nibbler.
- More rigid compared to other knives when used to make hole in steel ducts.

Ring spanner



SPANN is a ring spanner with ratcheting mechanism for sheet metal screws with 1/4" hexagon head. The spanner has a hexagon grip. The other comes with either a 7 mm or an 8 mm fixed ring spanner with a twelve-point grip.

Advantages - Ring spanner

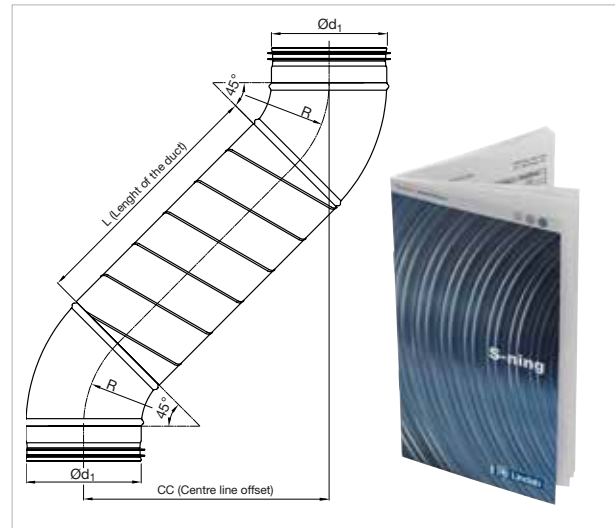
- Suitable in cramped spaces where there is no room for a common electric screwdriver.
- The stem is angled 15° for easier handling.

Duct cover protects your ducts



The Duct cover protects your ducts in bad weather conditions, and keeps the ducts clean during transport and storage.

Pocket guide for offset calculations



To make Offset calculations easier we have made a pocket guide. Instead of using your time to measure and test the duct length you can use your guide.

Advantages - Duct cover

- Protects your ducts in bad weather conditions.
- Keeps ducts clean during transport and storage.
- Equipped with Velcro®-fastenings at one gable.
- Has a binding loop at each bottom corner.

Advantages - Offset Calculation guide

- Reduced measuring - saves time and testing.
- Ensures correct duct length - less waste.
- Fits into your pocket so that you always have it close to your working place.

Trolley



TRO is a trolley which makes it substantially easier and more ergonomic to manually move circular ventilation ducts and other heavy products at the building site. The trolley is suitable for ducts Ø 400–1250. Trolley with loaded duct is easily moved by one person. Maximum load: approx. 100 kg. Weight: 4,0 kg.

Side bars



TROB are side bars to the trolley TRO which makes it possible to transport many small ventilation ducts at the building site at the same haulage. The side bars are suitable for ducts Ø 80–500. Trolley with bars and loaded ducts is easily run by one person. Weight: 6,0 kg.

Advantages - Trolley

- Very easy to load and unload the duct.
- Soft puncture proof tires.
- The wheels manage passing of smaller obstacles and semi-rough surface.
- Foldable for easier storage.
- You can also use it to transport large fittings in the building place like for example silencers and bends in big diameters.
- More flexibility at the building site as you can work alone.
- Improved ergonomics and working conditions and you reduce lifting of heavy products.

Advantages - Side bars

- Very easy to snap the bars on and off without any need of tools.
- Equipped with a handle that gives a good manoeuvrability and a comfortable driving position.
- The handle can be adopted to fit both right- and left-handed persons.
- Removable for easier storage.



Bits set



A bit collection specially selected to suit mounting of ventilation systems.
16 bits sits in a holster of red, flexible plastic.
The holster has a smart metal clip for rapid attachment to and removal from clothes or belt.

Needle cut pliers



Pliers to cut away the very sharp and dangerous needle which is formed when cutting a spirally lockseamed duct.

Advantages - Bits set

- A variety of useful bits are always at hand.
- The bit kit fits snugly in a pocket.
- The bit kit can easily be attached to your clothes.

Advantages - Needle cut pliers

- Cut off the needle without harming the duct wall.
- Sturdy construction for reliable function and longevity.
- Opening spring for easier work.
- Operated by one hand.

Joining aid tool



D3H is a helping tool to join rectangular ducts and fittings. The tool is clamped to the already mounted product. The tool carries the unmounted product's one end so you don't have to hold it yourself and also it guides the unmounted product in place so that the joining profiles are located at the right position. The tool only works at horizontal duct runnings. **NOTE! The tool only works with products equipped with joining profiles type LS.**

Advantages - Joining aid tool

- The troublesome joining procedure is simplified
- You don't have to support the product by yourself freeing your hands for other tasks.
- The tool can be fastened to and released from the joining profile and is easy to use.
- The device is easy to operate.
- A corrosion protection is presented and will keep the tool last long.

Marking pen



The PICA Marking pen allows marking on most surfaces and materials, even when wet, dirty or oily. The marking is water resistant and doesn't wash away if exposed to water. A 6,5 mm thin and 40 mm long tip of stainless steel makes it easy to mark in narrow spaces like deep holes for screws in consoles. The pen has a solid, protective sheath with a sturdy clip that makes for a simple and secure fastening to a pocket.

Advantages - Marking pen

- No need to dry or clean before marking.
- Possible to mark in tight spaces.
- Sharpener integrated in the sheath.
- Refill leads available on request.

CO₂ logger



The CO₂ logger measures the CO₂ level, the air temperature and the humidity and logs the measured data. It is therefore ideal for the monitoring and the evaluation of the interior climate in living spaces and in commercial premises.

Pressure drop meter



The pressure drop meter simplifies balancing of valves, reducers and diffusers. It has a powerful magnet so that you can attach it to the ventilation system while measuring and adjusting. Its small size and smart design makes it ideal for measuring on the go.

Advantages - CO₂ logger

- Measures the CO₂-level.
- Measures the air temperature.
- Measures the humidity.
- Logs data over time.
- Transfers data via USB.
- Easy to use.

Advantages - PC410

- Possibility to measure variable k-factors
- Logs data over time
- magnet which attaches it to ducts
- Transfers data via USB
- Can be operated with one hand

Smoke gun



The smoke gun makes it easy to find leaks in your ventilation system. It is also very good for demonstrating air flows, for example when controlling that your kitchen fan works as it should. The smoke from the smoke gun is not hazardous and the smoke gun only dispenses smoke when the trigger is pulled. It is fuelled with oil that is very easy to refill.

Advantages - Smoke gun

- **Makes it easy to find leaks.**
- **Makes it easy to demonstrate air flows.**
- **Easy to refill.**
- **No need for an open flame to generate smoke.**





We are committed to making your life easier and our environment better.

At Lindab our ambition is to simplify construction for our customers. We do that by designing our products with smart features that makes them easy to use. We are also working on ways to reduce our impact on our environment and climate. We do that by developing methods to produce our solutions using a minimum of energy and natural resources, and by reducing negative effects on the environment.

We use steel in our products. It's one of few materials that can be recycled an infinite number of times without losing any of its properties. That means less carbon emissions in nature and less energy wasted.

We have set three long term goals aimed at reducing our impact on the environment and the climate. These goals are based on EU's objectives for 2020 and mean that, taking 2008 as our starting point, we will:

- decrease energy consumption by 20 percent
- get 20 percent of our energy from renewable resources
- decrease greenhouse gas emissions by 20 percent

For more information about our environmental work, visit lindab.com/sustainability