

Duct filter units

■ Duct pre-filter units KPF

Application

Duct pre-filter units KPF are built in supply air installations before rooms, which demand higher air cleanness. KPF units extend the service life of HEPA filters, because larger dirty particles are removed by pre-filters, which are built in the system before HEPA filters.

St
RAL 9010
F EU...



Description

KPF unit comprises filter of B x H x L dimensions, filter frames and bag filters of G3 to F9 class. Filter housing is made of sheet metal, air-tight welded according to DIN 1946 and coloured in RAL 9010. Housing is fitted with connections for measuring of pressure drop. Galvanized steel sheet KPF possible (not airtight).

Installation

Basic frames are being fitted into the KPF units via the side opening. The procedure requires 1000 mm of free space (Fig. 1). KPF housing is fitted into the duct network via the self-locking flange.

Accessories

See chapter Accessories.

Fig. 1: Overview

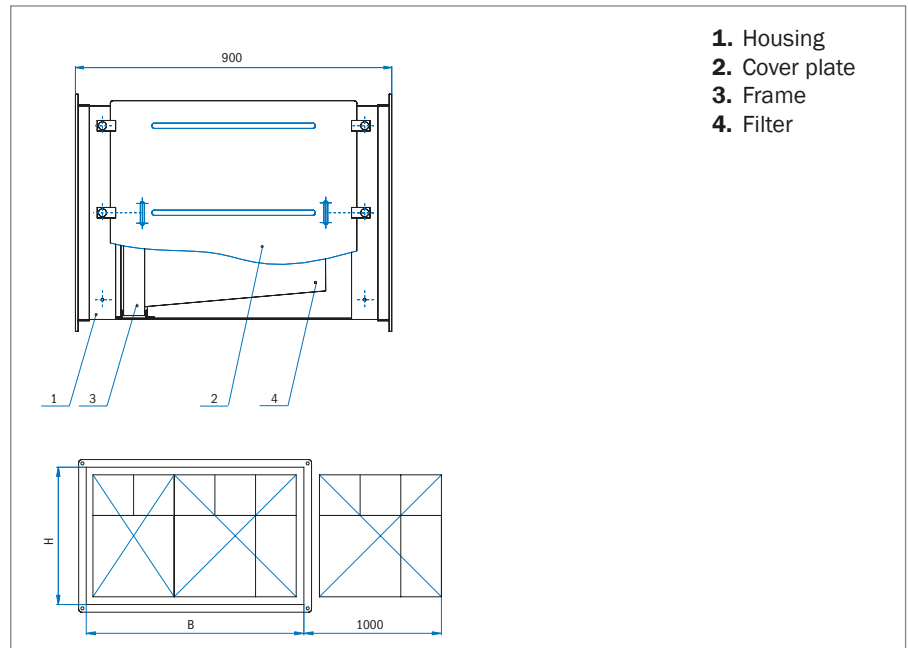


Table 1: Pre-filter unit size, quantity and size of bag filters

Size x	Weight (kg)	H (mm)	B (mm)	Bag filter, pocket length 630 mm		
				592 x 592	287 x 592	87 x 287
1A	40	618	618	1	-	-
1B	52	618	925	1	1	-
1C	63	618	1232	2	-	-
1D	75	618	1539	2	1	-
1E	82	618	1846	3	-	-
2A	53	925	618	1	-	2
2B	68	925	925	1	1	3
2C	82	925	1232	2	-	4
2D	91	925	1539	2	1	5
2E	110	925	1846	3	-	6
3A	63	1232	618	2	-	-
3B	81	1232	925	2	2	-
3C	93	1232	1232	4	-	-
3D	110	1232	1539	4	2	-
3E	123	1232	1846	6	-	-

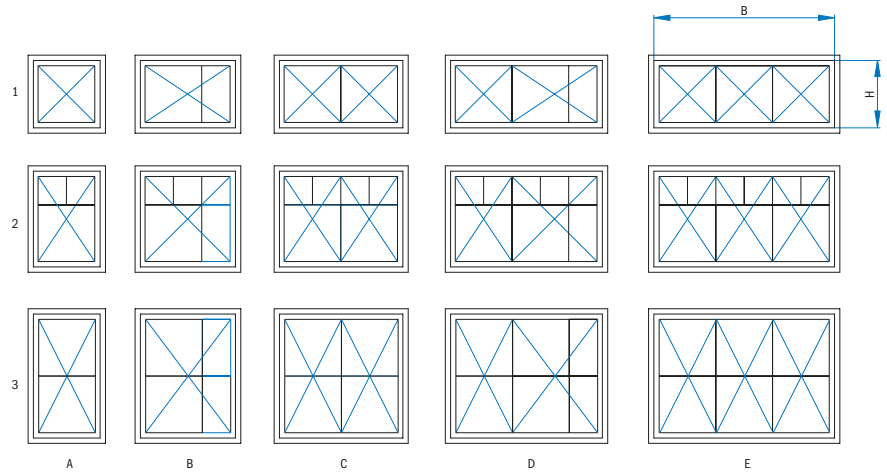
Technical data

See chapter Filter, subchapter Bag filters.

Filter lifetime

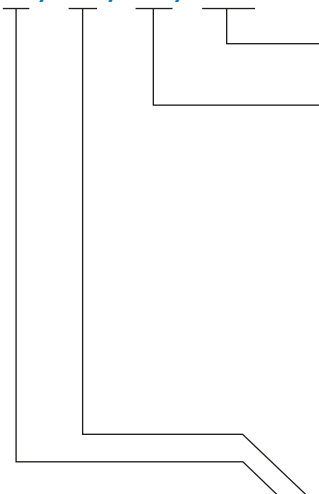
Filter pollution is controlled by means of a differential manometer. The connections for plastic tubes are already fitted on the duct pre-filter units KPF.

Fig. 2: Possible filter elements combinations



Ordering key

KPF-FV / G3 / 1A / POC



- POC** Galvanized steel
- RAL** Colored in RAL (standard color RAL 9010)
- 1A** 618 x 618 ... housing dimensions H x B
- 1B** 618 x 925
- 1C** 618 x 1232
- 1D** 618 x 1539
- 1E** 618 x 1846
- 2A** 925 x 618
- 2B** 925 x 925
- 2C** 925 x 1232
- 2D** 925 x 1539
- 2E** 925 x 1846
- 3A** 925 x 618
- 3B** 925 x 925
- 3C** 925 x 1232
- 3D** 925 x 1539
- 3E** 925 x 1846
- G3-F9** Filter class acc. to EN 779:2011
- FV** Bag filter
- FOKA** Carbon canister with KA (on customer's request)
- KA** Panel filters (on customer's request)
- KO** Compact filters (on customer's request)

Note:

- On request it is possible to produce also KPF units for other dimensions, types and classes of filters.
- Manometers have to be ordered separately.
- Filter is included.