

Det. no:		No:		Denomination		Material		Dimension		Note	
Designed	F.T.	Drawn	F.T.	Copy	Checked	Standard	Approved	Scale	1:10	Replaced By	Replaces
 Lindab Climate AB				PLAFOND B Montage et dimensions				File Name 1085163C		Date 080614	
								Drawing No: I 085163 C			

Nr	Ant	Change	Date	Inf.	Appr.
B		43x7(2x) was $\phi 7(2x)$	080620	F.T.	
C		Changed	080623	F.T.	

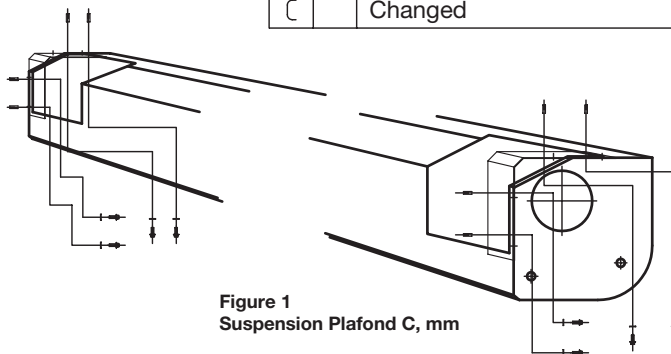
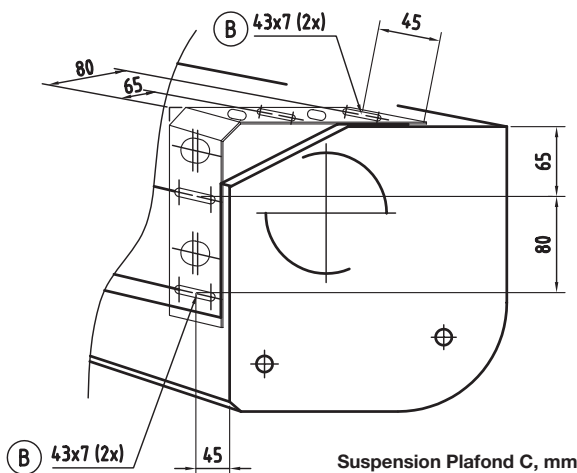
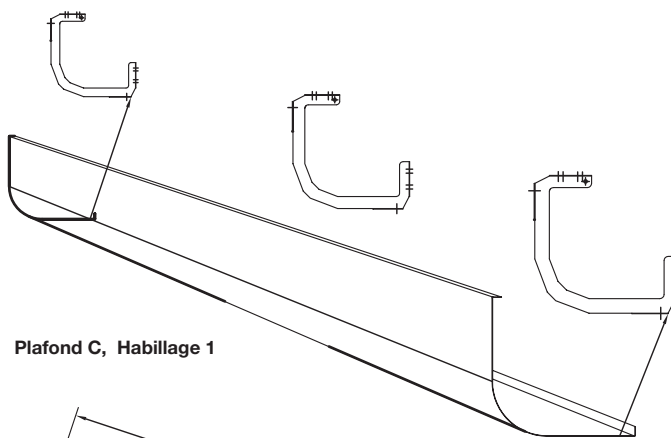


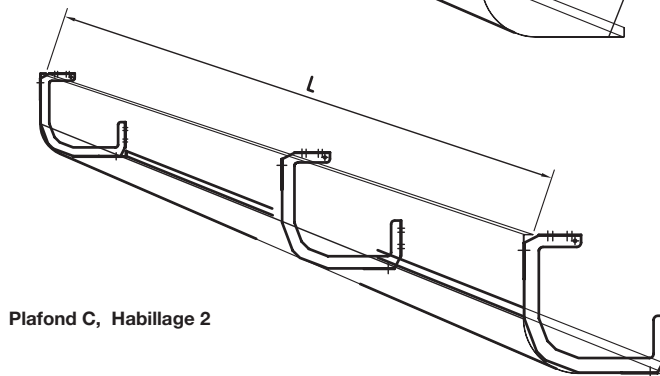
Figure 1
Suspension Plafond C, mm




Suspension Plafond C, mm



Plafond C, Habillage 1



Plafond C, Habillage 2

Det. no:	No:	Denomination			Material		Dimension	Note	
Designed	Drawn	Copy	Checked	Standard	Approved	Scale	Replaced By	Replaces	
F.T.	F.T.					1:10			
 Lindab Climate AB		PLAFOND C Montage et dimensions				File Name 1085162C	Date 080614	Drawing No: I 085162 C	

1

2

3

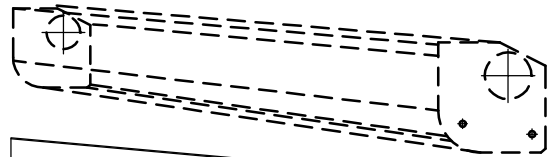
4

5

1 2 3 4 5

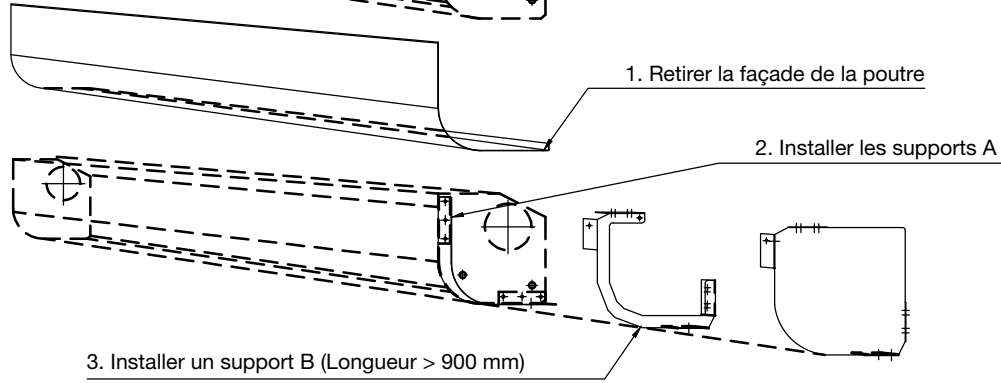
Nr	Ant	Change	Date	Inf.	Appr.
----	-----	--------	------	------	-------

A



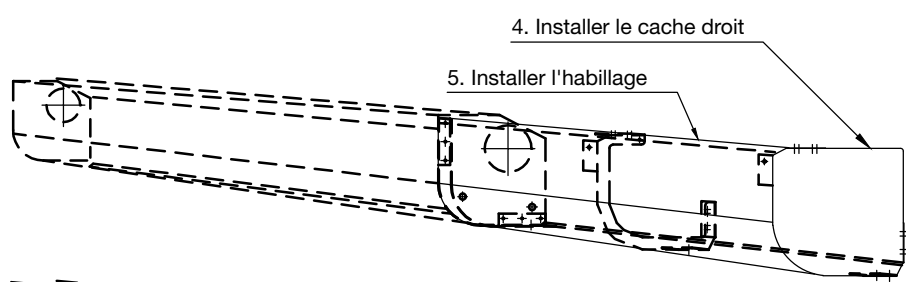
A

B



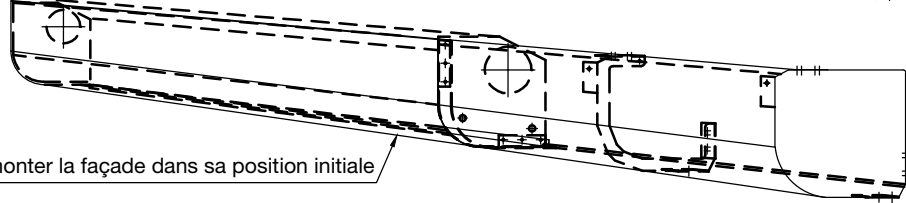
B

C



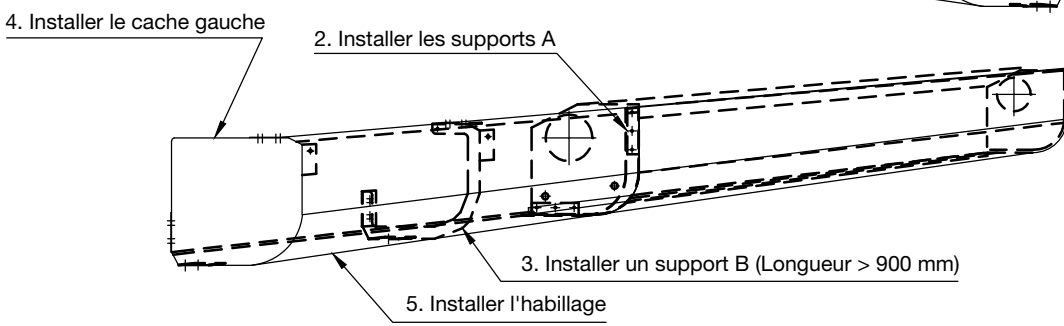
C

D



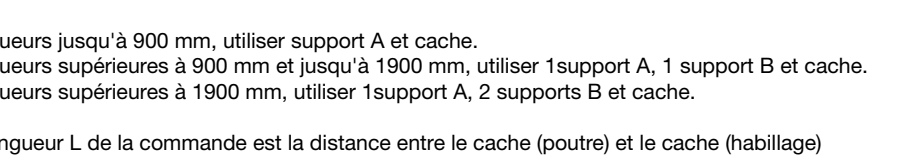
D

E



E

F



F

NB ! Longueurs jusqu'à 900 mm, utiliser support A et cache.
 Longueurs supérieures à 900 mm et jusqu'à 1900 mm, utiliser 1support A, 1 support B et cache.
 Longueurs supérieures à 1900 mm, utiliser 1support A, 2 supports B et cache.

La longueur L de la commande est la distance entre le cache (poutre) et le cache (habillage)

G

5	1	Gable smooth Left			P 085068 B
4	1	Gable smooth Right			P 085079 B
3	0-2	Bracket B			P 023040 D
2	2	Bracket A			P 075043 A
1	1	Cover plate			P 075044 C

G

H

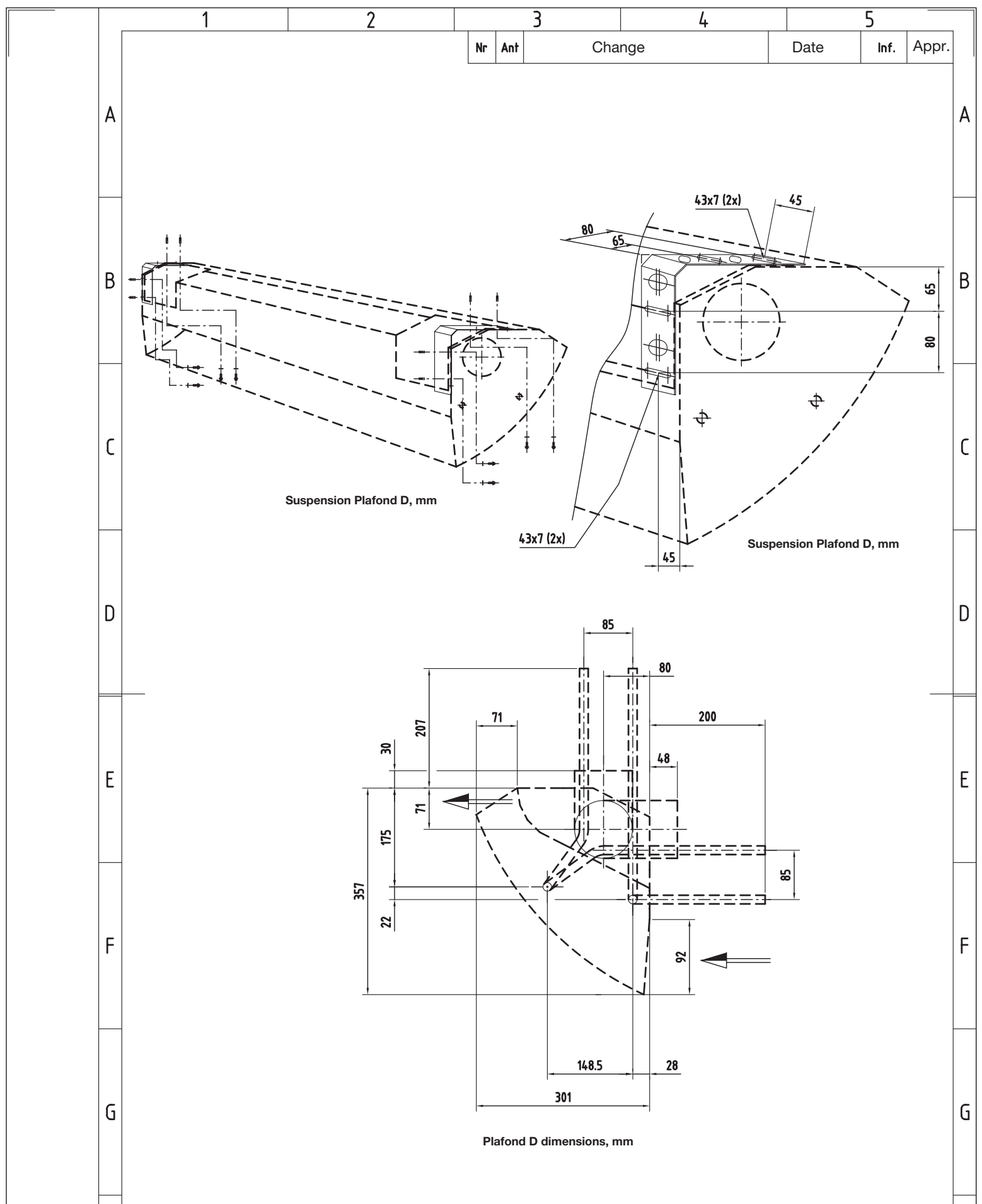
Def. no:	No:	Denomination	Material	Dimension	Note
Designed	Drawn	Copy	Checked	Standard	Approved
F.T.	F.T.				
Scale 1:12					Replaced By
File Name					Replaces
1115067A					110321
Drawing No:					
I 115067 A					

H



Plafond C - montage - habillage

1 2 3 4 5



Nr	Ant	Change	Date	Inf.	Appr.
----	-----	--------	------	------	-------

Det. no:	No:	Denomination	Material	Dimension	Note
Designed F.T.	Drawn F.T.	Copy	Checked	Standard	Approved
Scale				1:10	Replaced By
File Name				1085232A	Date
Drawing No:				1085232 A	080813



PLAFOND D
Montage et dimensions