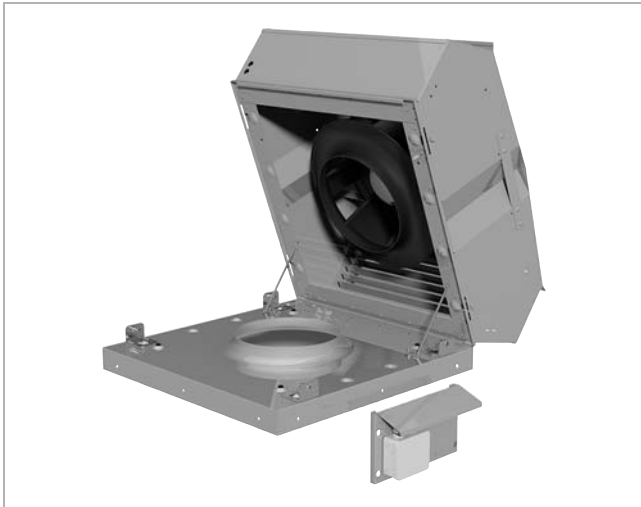


# Vertical Discharge Fan

# VDF



## Description

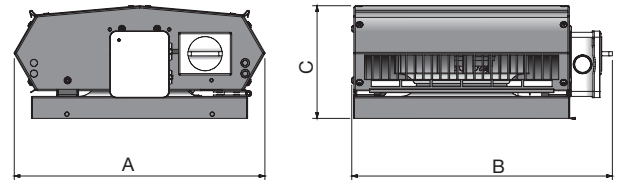
The VDF range of roof fans have a square connection with a vertical discharge pattern.

The combination of a high quality external rotor motor and backward curved impeller ensures high performance and safe operation.

They are manufactured from black polyester coated galvanised sheet metal for superior corrosion resistance. The speed controllable motors have sealed for life ball bearings.

VDF roof units have a swing out design for easy cleaning and maintenance and have an IP44 rating.

## Dimensions

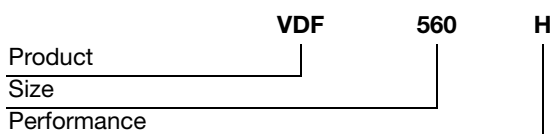


Product	Dim mm	A mm	B mm	C mm	m kg
VDF400	400	415	415	184	5,10
VDF400H	400	415	415	184	9,00
VDF560H	560	564	564	336	28,1
VDF660	660	663	663	391	39,7
VDF660H	660	663	663	391	47,5
VDF760	760	763	763	487	59,9
VDF760H	760	763	763	487	68,8
VDF960	960	963	963	534	103

VDF400-560 are 230 volt.

VDF560H-960 are 400 volt.

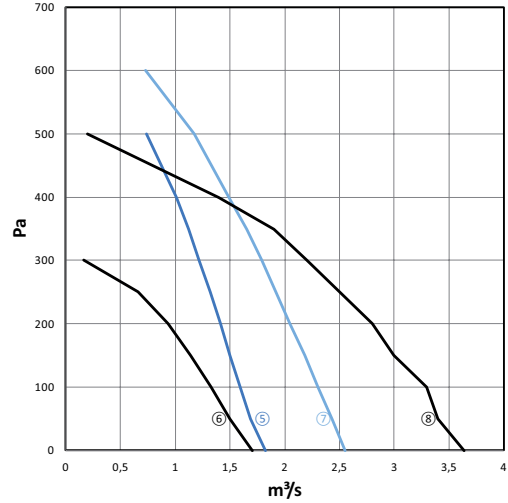
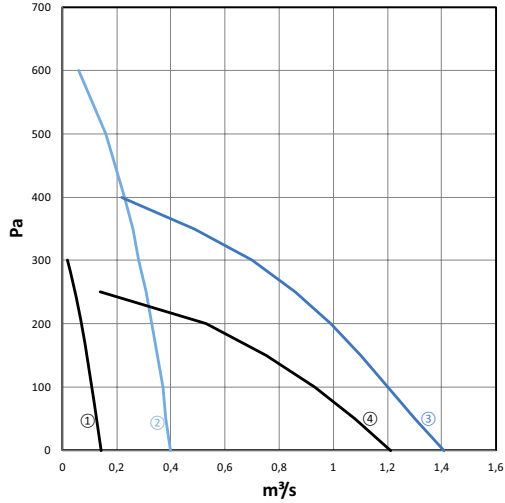
## Ordering example



# Vertical Discharge Fan

# VDF

## Technical data



Graph Ref.	Product	m <sup>3</sup> /s @ Pa											Motor W	Amps FLC	Speed RPM		
		0	50	100	150	200	250	300	350	400	500	600				800	
1	VDF400	0,144	0,124	0,108	0,09	0,071	0,046	0,018							60	0,26	2510
2	VDF400H	0,399	0,38	0,37	0,35	0,33	0,31	0,28	0,26	0,23	0,16	0,06			223	0,96	2780
3	VDF560H	1,41	1,3	1,2	1,1	0,99	0,86	0,7	0,49	0,22				435	0,8	1320	
4	VDF660	1,21	1,08	0,93	0,75	0,53	0,14							247	0,56	930	
5	VDF660H	1,82	1,69	1,59	1,5	1,41	1,32	1,22	1,12	1,01	0,74			836	1,58	1430	
6	VDF760	1,7	1,5	1,33	1,14	0,93	0,66	0,16						399	0,82	920	
7	VDF760H	2,55	2,43	2,3	2,18	2,05	1,92	1,79	1,65	1,49	1,17	0,73		1210	2,7	1360	
8	VDF960	3,64	3,4	3,3	3	2,8	2,5	2,2	1,9	1,4	0,2			1280	3,06	880	

Graph Ref.	Product	Frequency	Sound Power Level								dB(A) @ 3m
			63	125	250	500	1K	2K	4K	8K	
1	VDF400	Inlet	60	63	68	68	66	68	70	56	67
		Breakout	40	47	61	64	66	69	68	55	
2	VDF400H	Inlet	60	65	69	71	67	63	65	62	67
		Breakout	44	49	61	65	66	68	67	59	
3	VDF560H	Inlet	58	68	69	69	64	62	59	68	66
		Breakout	40	59	65	67	66	64	60	64	
4	VDF660	Inlet	57	65	63	62	57	55	56	43	58
		Breakout	41	51	57	59	59	56	52	42	
5	VDF660H	Inlet	64	71	74	78	73	70	68	69	70
		Breakout	46	65	68	70	71	68	64	61	
6	VDF760	Inlet	58	67	65	63	60	62	66	51	60
		Breakout	48	55	60	61	61	57	56	43	
7	VDF760H	Inlet	63	72	75	76	73	73	73	75	72
		Breakout	50	71	70	73	73	69	66	62	
8	VDF960	Inlet	66	73	73	73	71	68	61	71	80
		Breakout	44	65	69	75	82	83	78	70	