

# T-piece

# TVTR30



## Description

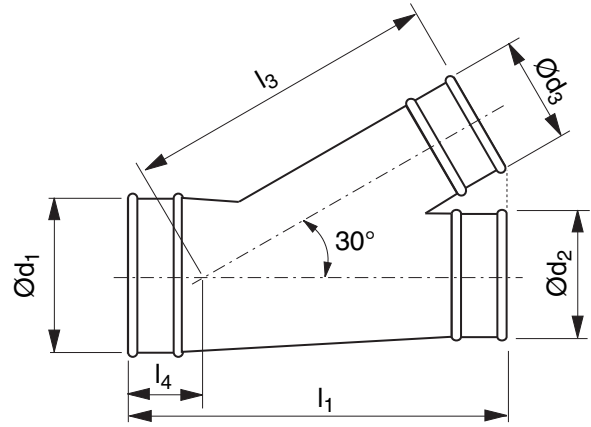
T-piece.

### NB

To save space, the adjacent table only contains a limited selection from our range the T-pieces where all dimensions  $d_1$ ,  $d_2$  and  $d_3$  are equal in size. Other dimensions are available to special order.

In all combinations, the installation length  $l_1$  is only governed by the branch diameter  $d_3$ . For example, all T-pieces with  $d_3 = 200$  have installation length  $l_1 = 589$  mm.

## Dimensions



Ød <sub>1</sub> nom	Ød <sub>2</sub> nom	Ød <sub>3</sub> nom	t mm	l <sub>1</sub> mm	l <sub>3</sub> mm	l <sub>4</sub> mm	m kg
80	80	80	0,7	358	263	109	0,90
100	100	100	0,7	398	301	112	1,20
125	125	125	0,7	448	347	116	1,60
140	140	140	0,7	478	375	118	1,80
150	150	150	0,7	498	394	119	2,00
160	160	160	0,7	518	413	120	2,30
180	180	180	0,7	549	445	119	2,80
200	200	200	0,7	589	482	121	3,40
224	224	224	0,7	637	527	124	4,20
250	250	250	0,7	689	576	128	4,90
300	300	300	0,7	777	662	129	7,00
315	315	315	0,7	807	690	131	7,30
350	350	350	0,7	960	755	177	9,00
400	400	400	0,9	1060	848	184	14,0
450	450	450	0,9	1160	942	190	16,9
500	500	500	0,9	1260	1035	197	20,1
560 *	560 *	560 *	0,9	1520	1245	275	26,0
600 *	600 *	600 *	0,9	1600	1320	280	29,0
630 *	630 *	630 *	0,9	1660	1376	284	31,0
710 *	710 *	710 *	0,9	1820	1525	295	41,0
800 *	800 *	800 *	0,9	2000	1693	307	51,0
900 *	900 *	900 *	0,9	2200	1879	321	64,0

\* Supplied with flange FL

## Ordering example

	<b>TVTR30</b>	<b>315</b>	<b>200</b>	<b>200</b>
Product				
Dimension Ød <sub>1</sub>				
Dimension Ød <sub>2</sub>				
Dimension Ød <sub>3</sub>				