

# Valve

# TAV



## Description

Valve for supply and exhaust air.  
 Designed for natural ventilation. Can also be used as an outdoor air valve.  
 Screws connect to a duct.

## Materials and finish

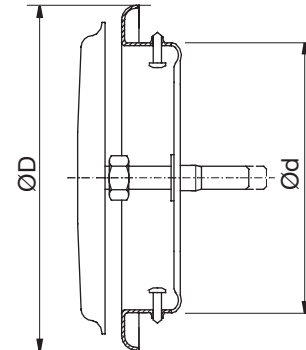
### Material

Coated galvanized sheet metal.

### Colour

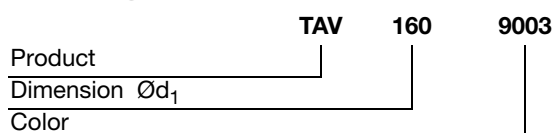
White RAL 9003, gloss 30.

## Dimensions



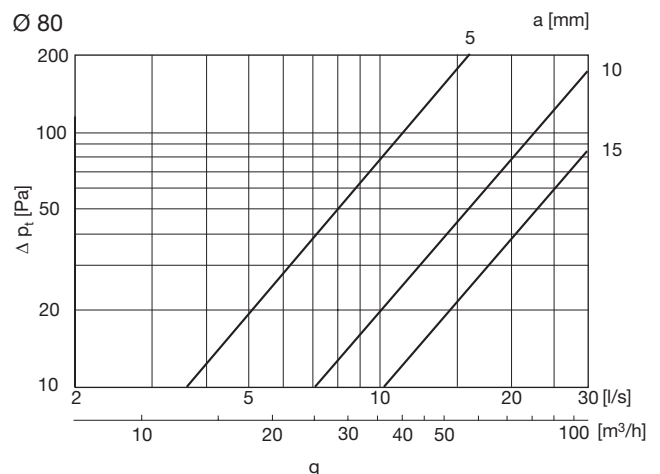
Ød nom	Ød [mm]	ØD [mm]	m [kg]
80	77	100	0,12
100	98	120	0,19
125	123	150	0,26
160	156	190	0,39
200	196	230	0,53
250	240	270	0,70
315	301	330	0,90

## Ordering example



## Technical data

Air flow,  $q$  [l/s] and [m<sup>3</sup>/h] and total pressure drop,  $\Delta p_t$  [Pa], for different settings,  $a$  [mm], are shown in the graphs.



# Valve

# TAV

