

Inline centrifugal plastic

SCF165



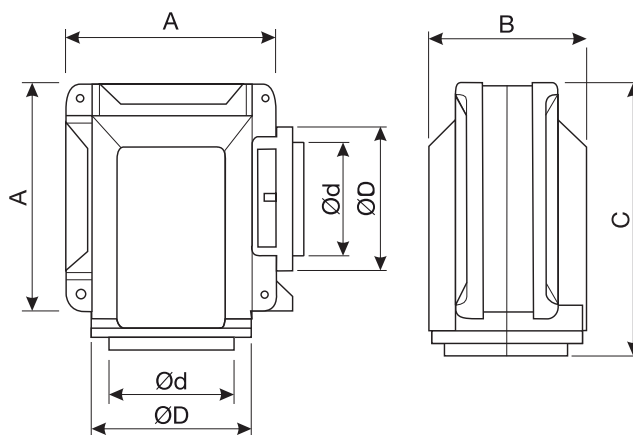
Description

Centrifugal fans to extract air through ducting; Unique adjustment possibility for in-line or angled mounting; For ducts Ø100mm and 120mm;

The fan is typically controlled via a light switch or with a standard thyristor controller.

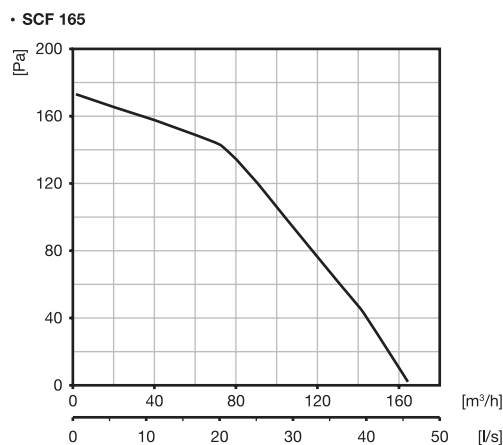
The fan is made of ABS plastic.

Dimensions



Product	Configu- ration	A mm	B mm	C mm	Ød mm	ØD mm	m kg
SCF 165	In line	205	148	263	102	126	1,90
	Angled	205	148	242	102	126	1,90

Technical data



Ordering example

Product **SCF165**

- 1
- 2
- 3
- 4
- 5
- 6
- 7
- 8
- 9
- 10
- 11
- 12
- 13
- 14
- 15
- 16
- 17
- 18

Inline centrifugal plastic

SCF165

Technical data

Product	Frequency Hz	Voltage V	Electric Power Input W	Current A	r.p.m	Maximum air capacity m ³ /h	Sound pressure level at 3 m dB(A)	Max. operating temperature °C	SEC class	IP
SCF165	50	220-240	80	0,8	2450	165	51	+40	F	X0

1

2

3

4

5

6

7

8

9

10

11

12

13

14

15

16

17

18