

# Thermal contact relay

# MPM MPT



## Description

The thermal contact relay is used for motors with protracted thermal contact conductors, and disconnects main supply if the motor's thermal contacts are open.

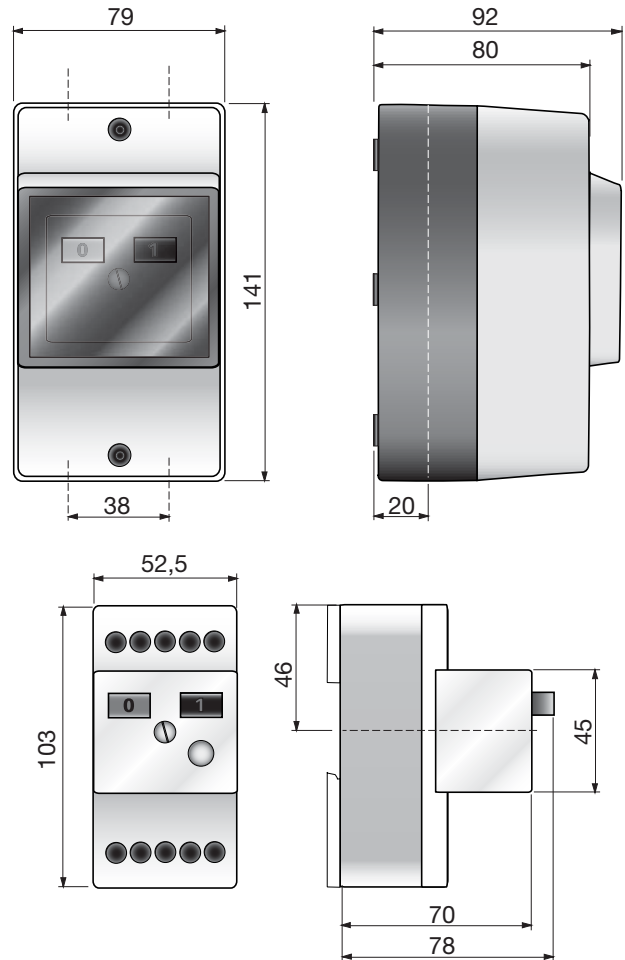
The thermal contact on the motor automatically resets when the motor has cooled, but the thermal contact relay must be reset manually by pressing the black button.

MPM for single phase motors 230V 0.4-10.0 A.  
 MPT for 3-phase motors 400V 0.1-25.0 A.

The enclosure fits the thermal contacts MPM and MPT.

It enables the MPM and MPT to be used in an IP 55 environment.

## Dimensions



## Technical data

Product	Current A	Voltage V	Enc. Class IP
MPM 10A	0,40-10	230	
MPT 25A	0,10-25	400	
MP Enclosure			IP55

## Ordering example

Product MPM MPT

- 1
- 2
- 3
- 4
- 5
- 6
- 7
- 8
- 9
- 10
- 11
- 12
- 13
- 14
- 15
- 16
- 17
- 18