

Valve

KIR



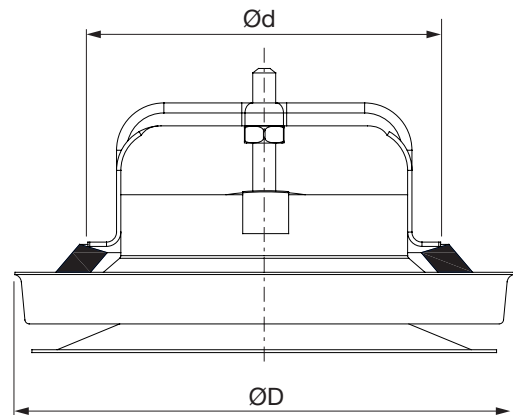
Description

Valve for supply air.
Designed for ceiling mounting.
Equipped with a removable blanking-off sector plate (KIRS) for preventing the air flow in a desired direction.
Bayonet holders connect to socket VRGU, VRGL or VRGM.

Maintenance

The visible parts can be wiped with a damp cloth.

Dimensions



Ød nom	ØD [mm]	m [kg]
100	141	0,28
125	174	0,42
160	215	0,60

Ordering example

	KIR	100
Product		
Dimension Ød		

Materials and finish

Material

Coated galvanized sheet metal.

Colour

White RAL 9003, gloss 30 or white RAL 9010 gloss30.

Valve

KIR

Technical data

Without sector plate

Air flow, q [l/s] and [m³/h], total pressure drop, Δp_t [Pa], throw length, $l_{0,2}$ [m], and A-weighted sound power level, L_{WA} [dB], for different settings, a [mm], are shown in the graphs.

Maximal vertical width, b_v [m] and Maximal horizontal width, b_h [m], are shown in the tables.

Sound power level, L_{Wok} [dB], in octave bands

is calculated as $L_{WA} + K_{ok}$. K_{ok} is found in the table below.

Ød nom	Valve mounted in	Centre frequency [Hz]							
		63	125	250	500	1K	2K	4K	8K
100	Duct	-	-6	-2	-3	-5	-8	-9	-15
125	Duct	-	0	1	-1	-5	-15	-21	-33
160	Duct	-	3	2	-1	-6	-15	-23	-36

Tolerance	-	±3	±2	±2	±2	±2	±2	±2	±3
-----------	---	----	----	----	----	----	----	----	----

Sound attenuation, ΔL , [dB]

Ød nom	Valve mounted in	Centre frequency [Hz]							
		63	125	250	500	1K	2K	4K	8K
100	Duct	22	18	13	11	9	8	7	8
125	Duct	20	16	11	9	9	7	6	5
160	Duct	18	14	10	9	9	7	6	6

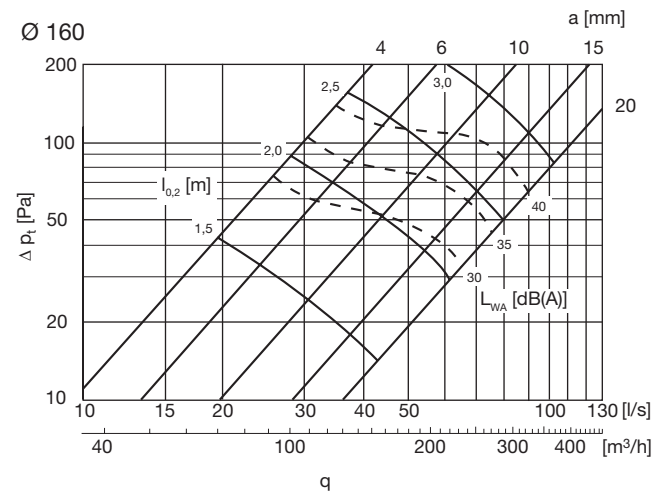
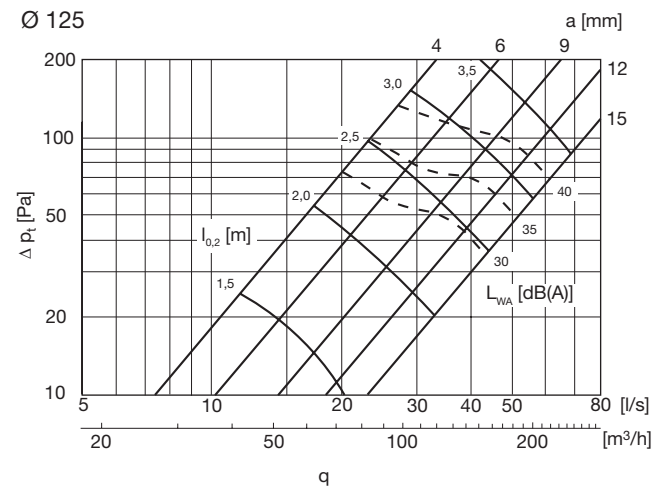
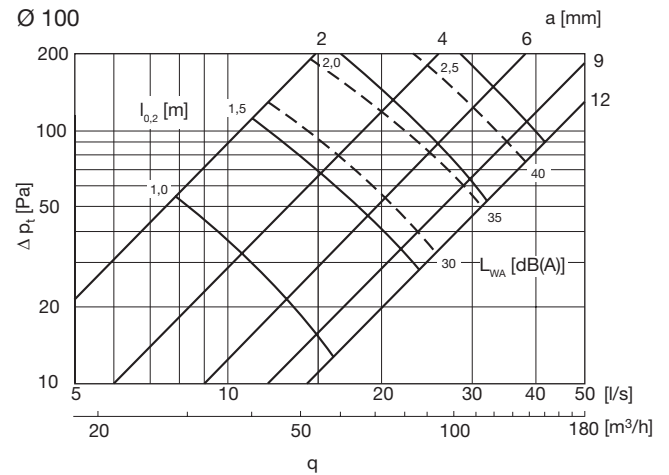
Tolerance	±6	±3	±2	±2	±2	±2	±2	±2	±3
-----------	----	----	----	----	----	----	----	----	----

Measurement of air flow

Data is available in a separate brochure.

Air jet diffusion pattern

Maximal vertical width, b_v [m]:



Valve

KIR

