

Access door

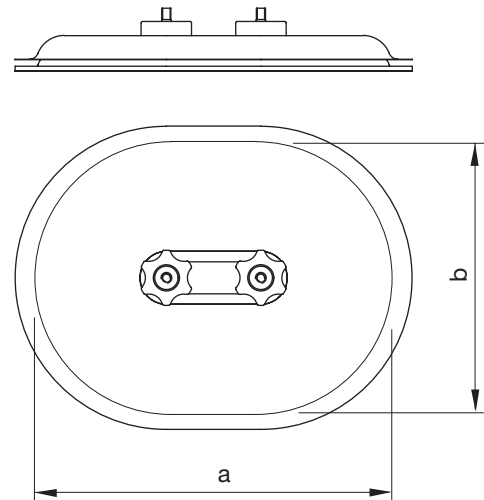
IPF



Description

Access door, which fits on the flat side of a rectangular duct. A rubber gasket seals on the duct's inside. Supplied with a self adhesive template which guides when cutting the rectangular aperture. Can achieve maximum tightness class C.

Dimensions



a* mm	b* mm	m kg
180	80	0,16
200	100	0,33
250	150	0,65
300	200	1,10
400	300	2,10
500	400	4,10
600	450	4,90
600	500	

* Note! Opening dimensions.

Ordering example

Product	IPF	250	150
Largest side	a		
Smallest side	b		