

Slave Unit

FDS-S



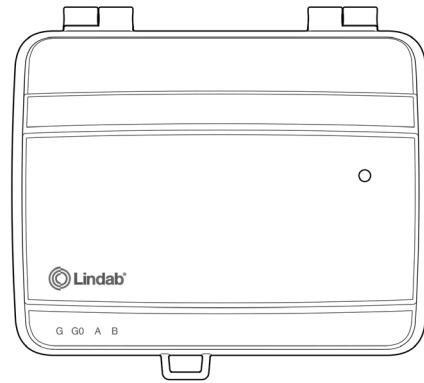
Description

FDS-S slave unit is a pre-programmed controller with internal display.

The display is backlit and the menus are easy accessible and controlled by pushbuttons on the front together with two LED indicators for alarm and write indication.

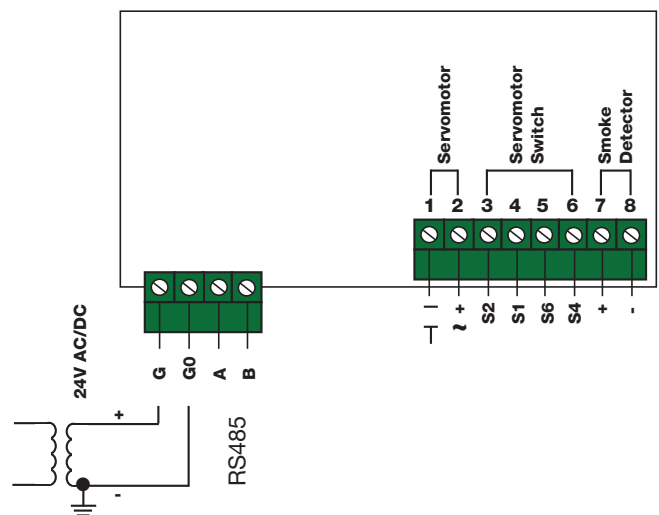
It can provide one fire damper and one smoke detector.

Dimensions



Width: 105 mm
 Height: 90 mm
 Length: 40 mm

Wiring diagram



Please see FDS user manual for further information.

Ordering example

Type **FDS-S**

- 1
- 2
- 3
- 4
- 5
- 6
- 7
- 8
- 9
- 10
- 11
- 12
- 13
- 14
- 15
- 16
- 17
- 18