

Shut-off damper with motor

DTBLU



Description

Shut-off damper with electric motor LM 24 A-F, LM 230 A-F, CM 24 F or CM 230 F.

Consists of a DTU damper with a 24 or 230 V motor added. Has a low height to fit at narrow spaces.

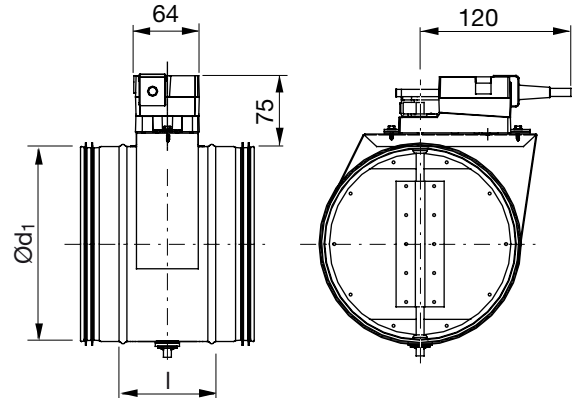
In outdoor installation, the motor should be protected from direct UV radiation.

There is a separate assembly, measuring, balancing and maintenance instruction for this product.

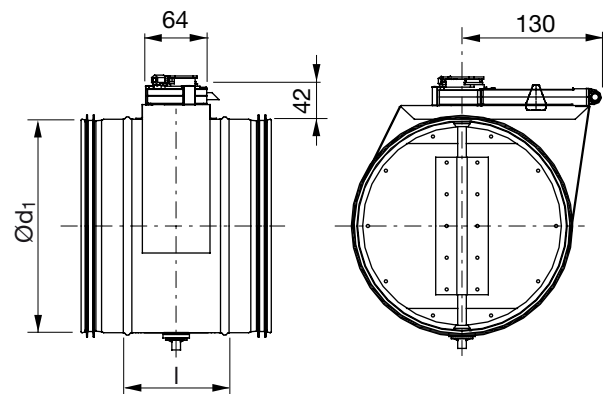
Fulfills pressure class C in closed position.

Dimensions

LM-motor



CM-motor



Ordering example

	DTBLU	125	24	LMF
Product				
Dimension Ød ₁				
Voltage				
Motor type				



Shut-off damper with motor

DTBLU

Dimensions

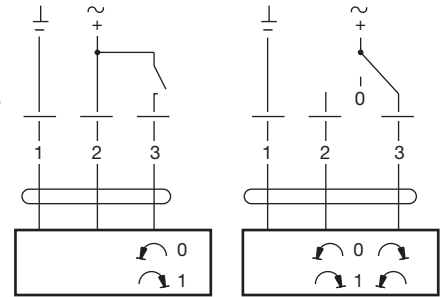
Ød ₁ nom	l [mm]	m [kg]	Motor type	Sealing class past closed blade	Pressure class in closed posi- tion	Design	Link to technical data for Belimo motors
80	100	1,06	TF-SR	4	C	1	TF24-SR
80	100	1,06	TF	4	C	1	TF24 TF230
80	100	2,54	NF-MOBA	4	C	3	NF24A-MOD
100	100	1,14	TF-SR	4	C	1	TF24-SR
100	100	1,14	TF	4	C	1	TF24 TF230
100	100	2,62	NF-MOBA	4	C	3	NF24A-MOD
125	100	1,29	TF-SR	4	C	1	TF24-SR
125	100	1,29	TF	4	C	1	TF24 TF230
125	100	2,77	NF-MOBA	4	C	3	NF24A-MOD
160	100	1,50	TF-SR	4	C	1	TF24-SR
160	100	1,50	TF	4	C	1	TF24 TF230
160	100	2,98	NF-MOBA	4	C	3	NF24A-MOD
200	100	1,90	TF-SR	4	C	1	TF24-SR
200	100	1,90	TF	4	C	1	TF24 TF230
200	100	3,58	NF-MOBA	4	C	3	NF24A-MOD
250	100	3,29	LF	4	C	2	LF24 LF230
250	100	3,39	LF-SR	4	C	2	LF24-SR
250	100	3,99	NF-MOBA	4	C	3	NF24A-MOD
315	100	3,91	LF	4	C	2	LF24 LF230
315	100	4,01	LF-SR	4	C	2	LF24-SR
315	100	4,61	NF-MOBA	4	C	3	NF24A-MOD
400	100	6,32	SFA	4	B	3	SFA
400	100	6,42	SF-SR	4	B	3	SF24-SR
400	100	6,52	SF-MOBA	4	B	3	SF24A-MOD
500	115	8,74	SFA	4	B	3	SFA
500	115	8,84	SF-SR	4	B	3	SF24-SR
500	115	8,94	SF-MOBA	4	B	3	SF24A-MOD
630	115	10,5	SFA	4	B	3	SFA
630	115	10,6	SF-SR	4	B	3	SF24-SR
630	115	10,7	SF-MOBA	4	B	3	SF24A-MOD
710	230	25,2	EF	4	A	4	EF24A EF230A
800	230	27,7	EF	4	A	4	EF24A EF230A

Shut-off damper with motor

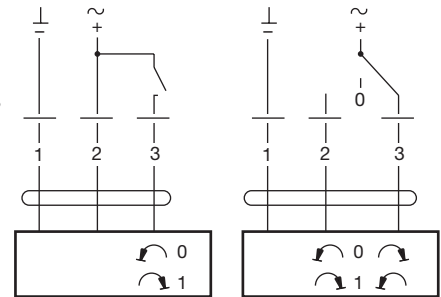
DTBLU

Technical data for the motors

	LM 24 A-F	LM 230 A-F
Power supply	AC 19,2–28,8 V, 50/60 Hz DC 19,2–28,8 V	AC 65–265 V, 50/60 Hz
Power consumption	1 W	1,5 W
For wire sizing	2 VA	4 VA
Connection	Cable 1 m, 3x0,75 mm ²	Cable 1 m, 3x0,75 mm ²
Operating angle	Max. 95°, adjustable 0–100%	Max. 95°, adjustable 0–100%
Torque at rated voltage	Min. 5 Nm	Min. 5 Nm
Direction of rotation	Switch selectable 0 ↺ or 1 ↻	Switch selectable 0 ↺ or 1 ↻
Position indication	Mechanical	Mechanical
Running time for 95°	150 s	150 s
Sound power level	Max. 35 dB (A)	Max. 35 dB (A)
Protection class	III Safety extra-low voltage	II Safety insulated
Protection type	IP 54	IP 54
Ambient temperature range	-30 to +50°C	-30 to +50°C
Ambient moisture	95 % RH	95 % RH



	CM 24 F	CM 230 F
Power supply	AC 19,2–28,8 V, 50/60 Hz DC 19,2–28,8 V	AC 65–265 V, 50/60 Hz
Power consumption	0,5 W	1,5 W
For wire sizing	1 VA	3 VA
Connection	Cable 1 m, 3x0,75 mm ²	Cable 1 m, 3x0,75 mm ²
Operating angle	Continuously rotating	Max. 95°, adjustable 0–100%
Torque at rated voltage	Min. 2 Nm	Min. 2 Nm
Direction of rotation	-L or -R	-L or -R
Position indication	Mechanical, removable	Mechanical, removable
Running time for 90°	75 s	75 s
Sound power level	Max. 35 dB (A)	Max. 35 dB (A)
Protection class	III Safety extra-low voltage	II Safety insulated
Protection type	IP 54	IP 54
Ambient temperature range	-30 to +50°C	-30 to +50°C
Ambient moisture	95 % RF	95 % RF



Technical data

For technical data go to [LindQST](#).