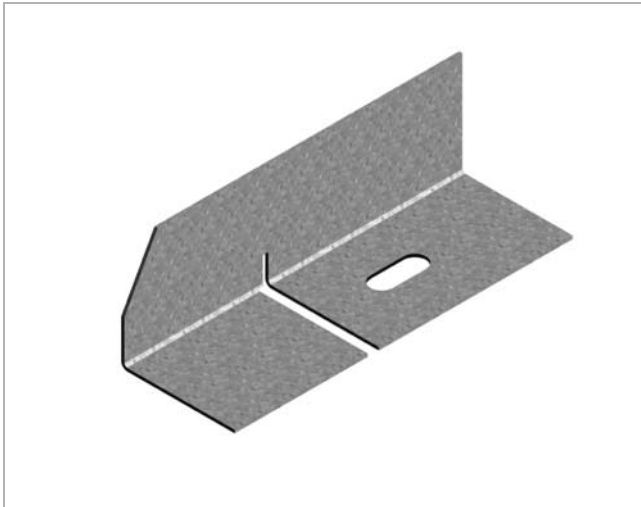
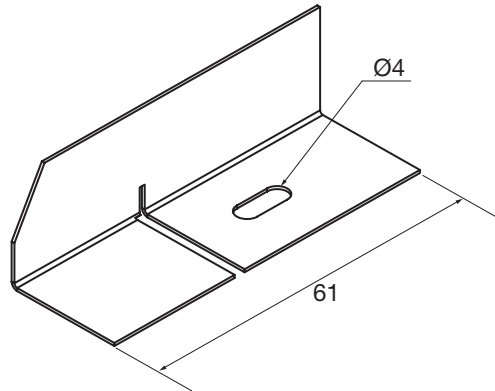


# Support plate

CSP



## Dimensions



### Description

Support plate which supports steel rails, CSR. Is used where it is not possible to mount consoles, CC, and where extra support is needed to stabilize the suspension of the duct system.

m
kg
0,01

### Ordering example

Product CSP