

Inline Centrifugal Plastic

CPF

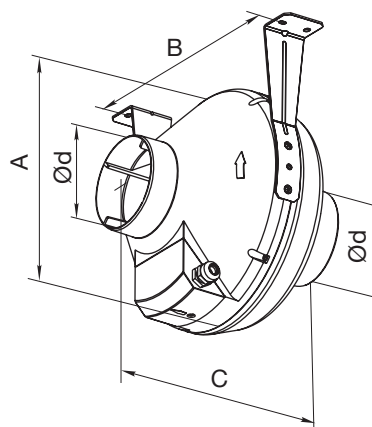


Description

CPF fans are typically for supply and exhaust ventilation systems of commercial, office and other premises. Due to the corrosion-resistant durable plastic casing, these models are the perfect solution for the installation in humid applications such as bathrooms, kitchens etc.

The casing is made of high-quality durable ABS plastic. The fans are equipped with waterproof terminal boxes. The product has an IPX4 rating.

Dimensions



Product	Ød mm	A mm	B mm	C mm	m kg
CPF100	100	250	270	230	2,01
CPF 125	125	250	270	220	2,20
CPF 150	150	300	310	286	2,45
CPF 200	200	340	354	276	3,00

Ordering example



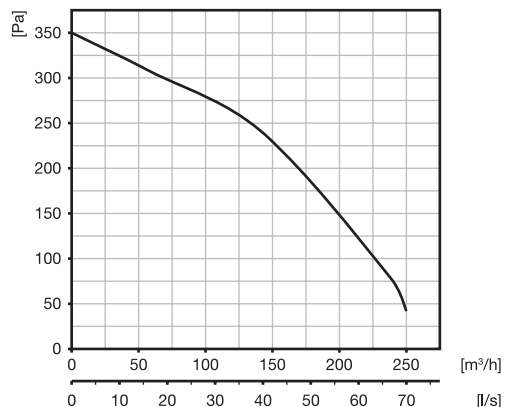
- 1
- 2
- 3
- 4
- 5
- 6
- 7
- 8
- 9
- 10
- 11
- 12
- 13
- 14
- 15
- 16
- 17
- 18

Inline Centrifugal Plastic

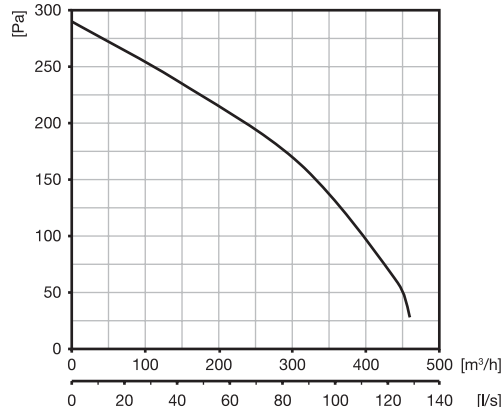
CPF

Technical data

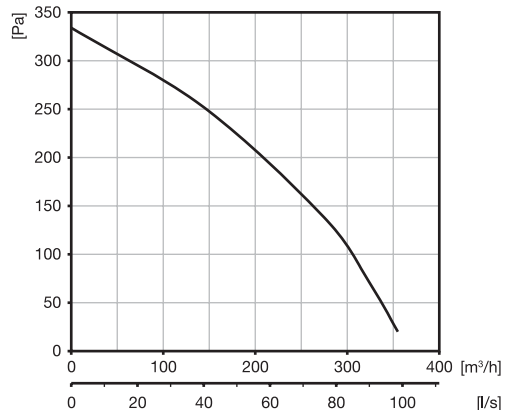
• CPF 100



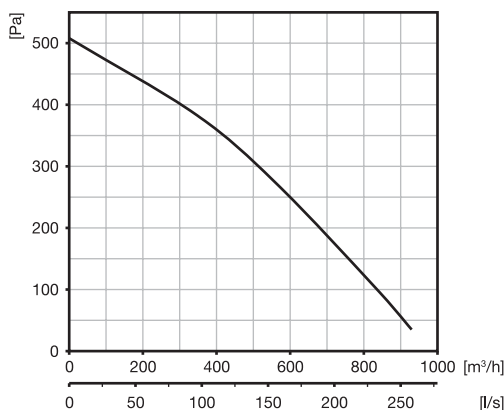
• CPF 150



• CPF 125



• CPF 200



Technical data

Product	Frequency Hz	Voltage V	Electric Power Input W	Current A	r.p.m	Maximum air capacity m³/h	Sound pressure level at 3 m dB(A)	Max. operating temperature °C	SEC class	IP
CPF 100	50	230	80	0,34	2820	250	46	-25/+50	C	X4
CPF 125	50	230	79	0,34	2800	355	46	-25/+50	B	X4
CPF 150	50	230	80	0,35	2725	460	46	-25/+50	B	X4
CPF 200	50	230	107	0,47	2660	780	48	-25/+50	B	X4