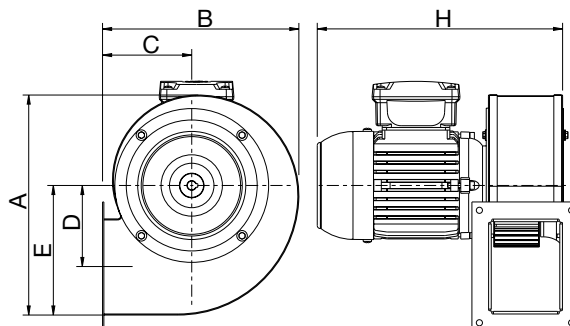


Centrifugal Fan

CFLX



Dimensions



Description

Centrifugal medium pressure ATEX fan.
 Rolling steel sheet housing.
 Completely joined or welded housing.
 Simple inlet forward curved impeller made of aluminium.
 Epoxy powder finishing coat.
 Inlet sparkproof ring made of copper or aluminium.
 Standard asynchronous squirrel-cage motor with IP-55 protection and Class F insulation. ATEX certified EEx-d. Manufactured with standard voltages: 230V 50Hz in single phase motors and 230/400V 50Hz in three phase motors up to 4kW, and 400/690V 50Hz for higher powers.

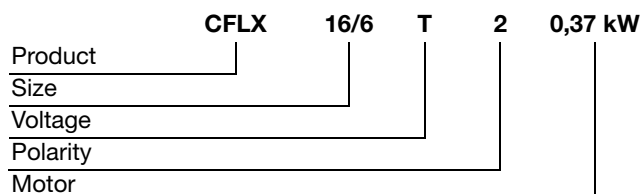
APPLICATIONS

Designed for inline installation, they are suitable for:
 General ventilation in closed environments classified as ATEX zone 2 or 22.
 Maximum air working temperature from -20°C to 80°C.
 ATEX for different categories available under request.
 In compliance with the 94/9/CE Directive. ATEX II2G built.
 Certified II3G with certified ATEX EEx-d II2G motor for areas 2 (gas) or 22 (dust).

Product	A mm	B mm	C mm	m kg
CFLX 16/6 T4 0,18kW	293	254	118	9,5
CFLX 16/6 T2 0,37kW	293	254	118	9,5
CFLX 20/6 T2 0,37kW	347	300	128	14,0
CFLX 18/7 T4 0,25kW	347	302	128	10,0
CFLX 18/7 T2 0,75kW	347	302	128	15,0
CFLX 20/8 T4 0,37kW	375	321	138	15,0
CFLX 20/8 T2 1,1kW	375	321	138	19,0
CFLX 22/9 T4 0,55kW	452	386	181	22,0
CFLX 22/9 T2 1,1kW	452	386	181	24,0
CFLX 22/9 T2 2,2kW	452	386	181	30,0
CFLX 25/10 T2 2,2kW	501	425	197	32,0
CFLX 25/10 T4 1,1kW	501	425	197	33,0
CFLX 25/10 T2 3kW	501	425	197	38,0
CFLX 28/11 T6 0,75kW	553	471	216	37,0
CFLX 28/11 T4 2,2kW	553	471	216	44,0
CFLX 28/11 T2 4kW	553	471	216	46,0
CFLX 31/12 T4 3kW	644	528	246	57,0
CFLX 31/12 T4 4kW	644	528	246	59,0
CFLX 35/14 T4 3kW	718	584	267	63,0
CFLX 35/14 T4 5,5kW	718	584	267	76,0
CFLX 40/16 T6 2,2kW	795	649	300	94,0
CFLX 40/16 T4 5,5kW	795	649	300	101,0
CFLX 45/18 T6 2,2kW	885	728	326	112,0
CFLX 45/18 T4 5,5kW	885	728	326	116,0
CFLX 45/18 T4 7,5kW	885	728	326	119,0
CFLX 45/18 T4 11kW	885	728	326	190,0

T= 400 volt
 M = 230 volt

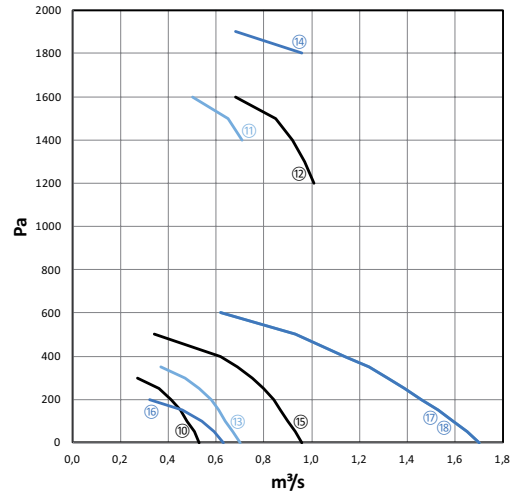
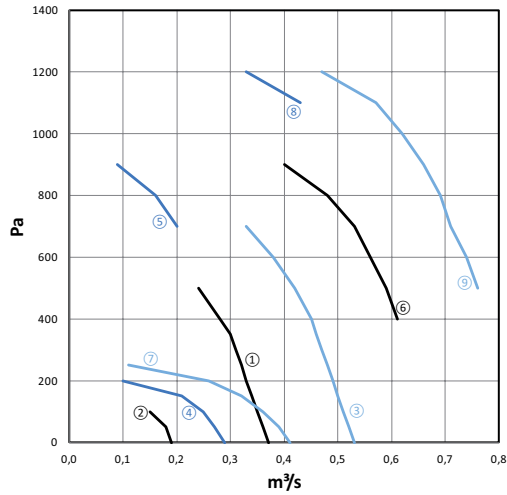
Ordering example



Centrifugal Fan

CFLX

Technical data



Graph Ref.	Product	m³/s @ Pa											
		0	50	100	150	200	250	300	350	400	500	600	700
1	CFLX 16/6 T2 0,37kW	0,370	0,360	0,350	0,340	0,330	0,320	0,310	0,300	0,280	0,240		
2	CFLX 16/6 T4 0,18kW	0,190	0,180	0,150									
3	CFLX 18/7 T2 0,75kW	0,530	0,520	0,510	0,500	0,490	0,480	0,470	0,460	0,450	0,420	0,380	0,330
4	CFLX 18/7 T4 0,25kW	0,290	0,270	0,250	0,210	0,100							
5	CFLX 20/6 T2 0,37kW												0,200
6	CFLX 20/8 T2 1,1kW									0,610	0,590	0,560	0,530
7	CFLX 20/8 T4 0,37kW	0,410	0,390	0,360	0,320	0,260	0,110						
8	CFLX 22/9 T2 1,1kW												
9	CFLX 22/9 T2 2,2kW										0,760	0,740	0,710
10	CFLX 22/9 T4 0,55kW	0,530	0,510	0,480	0,450	0,410	0,360	0,270					
11	CFLX 25/10 T2 2,2kW												
12	CFLX 25/10 T2 3kW												
13	CFLX 25/10 T4 1,1kW	0,700	0,760	0,640	0,610	0,580	0,530	0,470	0,370				
14	CFLX 28/11 T2 4kW												
15	CFLX 28/11 T4 2,2kW	0,960	0,930	0,900	0,870	0,840	0,800	0,750	0,690	0,620	0,340		
16	CFLX 28/11 T6 0,75kW	0,630	0,590	0,540	0,460	0,320							
17	CFLX 31/12 T4 3kW	1,700	1,650	1,590	1,530	1,460	1,390	1,320	1,240	1,140	0,930	0,620	
18	CFLX 31/12 T4 4kW	1,700	1,650	1,590	1,530	1,460	1,390	1,320	1,240	1,140	0,930	0,620	
19	CFLX 35/14 T4 3kW									1,800	1,710	1,600	1,450
20	CFLX 35/14 T4 5,5kW	2,270	2,230	2,190	2,150	2,100	2,050	2,000	1,940	1,880	1,740	1,570	1,340
21	CFLX 40/16 T4 5,5kW												
22	CFLX 40/16 T6 2,2kW								1,990	1,920	1,740		
23	CFLX 45/18 T4 5,5kW	Contact Lindab for airflow data											
24	CFLX 45/18 T4 7,5kW	Contact Lindab for airflow data											
25	CFLX 45/18 T4 11kW	Contact Lindab for airflow data											
26	CFLX 45/18 T6 2,2kW	Contact Lindab for airflow data											

Centrifugal Fan

CFLX

Technical data

Graph Ref.	Product	m ³ /s @ PA											
		800	900	1000	1100	1200	1300	1400	1500	1600	1700	1800	1900
1	CFLX 16/6 T2 0,37kW												
2	CFLX 16/6 T4 0,18kW												
3	CFLX 18/7 T2 0,75kW												
4	CFLX 18/7 T4 0,25kW												
5	CFLX 20/6 T2 0,37kW	0,160	0,090										
6	CFLX 20/8 T2 1,1kW	0,480	0,400										
7	CFLX 20/8 T4 0,37kW												
8	CFLX 22/9 T2 1,1kW				0,430	0,330							
9	CFLX 22/9 T2 2,2kW	0,690	0,660	0,620	0,570	0,470							
10	CFLX 22/9 T4 0,55kW												
11	CFLX 25/10 T2 2,2kW							0,710	0,650	0,500			
12	CFLX 25/10 T2 3kW					1,010	0,970	0,920	0,850	0,680			
13	CFLX 25/10 T4 1,1kW												
14	CFLX 28/11 T2 4kW										0,960	0,680	
15	CFLX 28/11 T4 2,2kW												
16	CFLX 28/11 T6 0,75kW												
17	CFLX 31/12 T4 3kW												
18	CFLX 31/12 T4 4kW												
19	CFLX 35/14 T4 3kW	1,160											
20	CFLX 35/14 T4 5,5kW	1,000											
21	CFLX 40/16 T4 5,5kW					2,430	2,160						
22	CFLX 40/16 T6 2,2kW												
23	CFLX 45/18 T4 5,5kW												
24	CFLX 45/18 T4 7,5kW												
25	CFLX 45/18 T4 11kW				3,820	3,690	3,530	3,340	3,040				
26	CFLX 45/18 T6 2,2kW												

- 1
- 2
- 3
- 4
- 5
- 6
- 7
- 8
- 9
- 10
- 11
- 12
- 13
- 14
- 15
- 16
- 17
- 18

Centrifugal Fan

CFLX

Technical data

Graph Ref.	Product	Motor	Amps	Speed
		kW	FLC	RPM
1	CFLX 16/6 T2 0,37kW	0,37	0,95	2800
2	CFLX 16/6 T4 0,18kW	0,18	0,65	1400
3	CFLX 18/7 T2 0,75kW	0,75	1,75	2800
4	CFLX 18/7 T4 0,25kW	0,25	0,83	1400
5	CFLX 20/6 T2 0,37kW	0,37	0,95	2800
6	CFLX 20/8 T2 1,1kW	1,10	2,55	2800
7	CFLX 20/8 T4 0,37kW	0,37	1,12	1400
8	CFLX 22/9 T2 1,1kW	1,10	2,55	2800
9	CFLX 22/9 T2 2,2kW	2,20	4,98	2800
10	CFLX 22/9 T4 0,55kW	0,55	1,56	1400
11	CFLX 25/10 T2 2,2kW	2,20	4,98	2800
12	CFLX 25/10 T2 3kW	3,00	6,40	2800
13	CFLX 25/10 T4 1,1kW	1,10	2,75	1400
14	CFLX 28/11 T2 4kW	4,00	8,20	2890
15	CFLX 28/11 T4 2,2kW	2,20	5,00	1400
16	CFLX 28/11 T6 0,75kW	0,75	2,30	910
17	CFLX 31/12 T4 3kW	3,00	6,80	1430
18	CFLX 31/12 T4 4kW	4,00	8,80	1440
19	CFLX 35/14 T4 3kW	3,00	6,80	1430
20	CFLX 35/14 T4 5,5kW	5,50	12,00	1440
21	CFLX 40/16 T4 5,5kW	5,50	12,00	1440
22	CFLX 40/16 T6 2,2kW	2,20	5,60	940
23	CFLX 45/18 T4 5,5kW	5,50	12,00	1440
24	CFLX 45/18 T4 7,5kW	7,50	15,00	1440
25	CFLX 45/18 T4 11kW	11,00	20,90	1440
26	CFLX 45/18 T6 2,2kW	2,20	5,60	940

Centrifugal Fan

CFLX

Technical data

Graph Ref.	Product	Sound Power Level (Breakout)								Power	dB(A)
		63	125	250	500	1K	2K	4K	8K	dB(A)	@ 3m
1	CFLX 16/6 T2 0,37kW	48	60	71	74	76	80	75	73	84	66
2	CFLX 16/6 T4 0,18kW	46	59	65	66	71	72	68	65	77	60
3	CFLX 18/7 T2 0,75kW	51	62	73	76	78	82	78	76	86	69
4	CFLX 18/7 T4 0,25kW	48	61	67	68	73	74	70	67	79	61
5	CFLX 20/6 T2 0,37kW	49	60	71	74	76	80	76	74	84	67
6	CFLX 20/8 T2 1,1kW	53	65	76	79	81	85	80	79	89	72
7	CFLX 20/8 T4 0,37kW	51	64	70	71	76	77	73	70	82	64
8	CFLX 22/9 T2 1,1kW	46	57	68	71	73	77	73	71	81	66
9	CFLX 22/9 T2 2,2kW	56	67	78	81	83	87	83	81	91	76
10	CFLX 22/9 T4 0,55kW	54	66	73	74	79	80	76	72	85	70
11	CFLX 25/10 T2 2,2kW	53	64	75	78	80	84	80	78	88	73
12	CFLX 25/10 T2 3kW	57	68	79	83	85	88	84	82	92	78
13	CFLX 25/10 T4 1,1kW	54	67	73	74	79	80	76	73	85	70
14	CFLX 28/11 T2 4kW	61	72	83	86	88	92	88	86	96	81
15	CFLX 28/11 T4 2,2kW	60	73	79	80	85	86	82	79	91	76
16	CFLX 28/11 T6 0,75kW	51	64	70	71	76	77	73	70	81	64
17	CFLX 31/12 T4 3kW	58	71	77	78	83	84	80	77	89	74
18	CFLX 31/12 T4 4kW	58	71	77	78	83	84	80	77	89	74
19	CFLX 35/14 T4 3kW	60	73	79	80	85	86	82	79	91	76
20	CFLX 35/14 T4 5,5kW	59	72	78	79	84	85	81	78	90	75
21	CFLX 40/16 T4 5,5kW	63	76	82	83	88	89	85	82	94	79
22	CFLX 40/16 T6 2,2kW	56	68	71	79	79	80	76	72	85	71
23	CFLX 45/18 T4 5,5kW	72	85	91	92	97	98	94	91	103	85
24	CFLX 45/18 T4 7,5kW	73	86	92	93	98	99	95	92	104	86
25	CFLX 45/18 T4 11kW	71	84	90	91	96	97	93	90	102	87
26	CFLX 45/18 T6 2,2kW	60	73	76	84	84	85	80	76	90	76

- 1
- 2
- 3
- 4
- 5
- 6
- 7
- 8
- 9
- 10
- 11
- 12
- 13
- 14
- 15
- 16
- 17
- 18