

Circular Connection flange

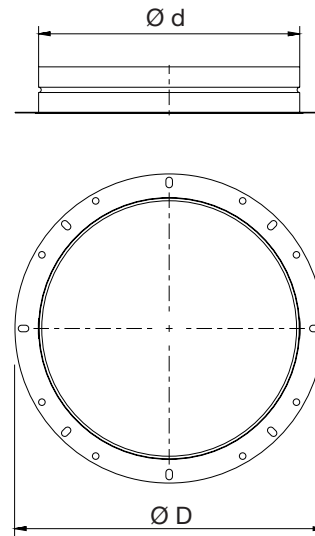
CCF



Description

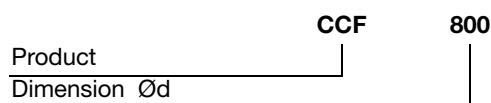
Connexion flange to be fitted in the long casd axial fans inlet and outlet. For centrifugal models only extraction and for Axial models extraction and impulsion.

Dimensions



Product	Ød mm	ØD mm
CCF250	248	310
CCF300	298	380
CCF350	353	420
CCF400	398	470
CCF450	448	530
CCF500	498	590
CCF560	558	650
CCF630	628	720
CCF710	708	800
CCF800	798	890
CCF900	898	995
CCF1000	998	1115
CCF1100	1098	1215
CCF1250	1248	1382

Ordering example



- 1
- 2
- 3
- 4
- 5
- 6
- 7
- 8
- 9
- 10
- 11
- 12
- 13
- 14
- 15
- 16
- 17
- 18