

Bend

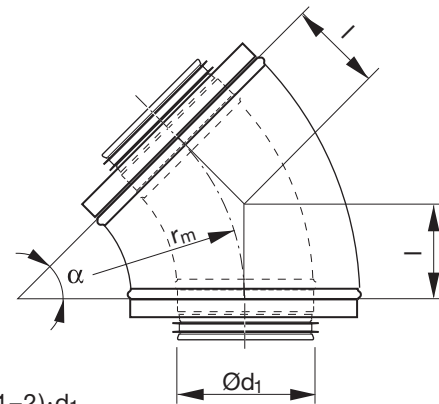
BUI 45°



Description

Bend with pressed outer casing.

Dimensions



$$r_m \approx (1-2) \cdot d_1$$

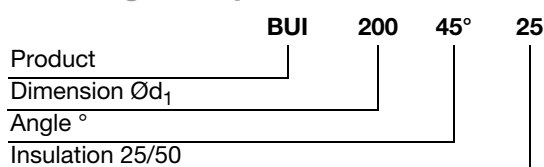
25 mm insulation.

$\text{Ø}d_1$ nom	l mm	m kg
100	62	1,20
125	73	1,40
150	83	1,90
160	83	2,10
200	104	2,80

50 mm insulation.

$\text{Ø}d_1$ nom	l mm	m kg
100	83	1,60
125	93	2,20
150	104	2,60

Ordering example



- 1
- 2
- 3
- 4
- 5
- 6
- 7
- 8
- 9
- 10
- 11
- 12
- 13
- 14
- 15
- 16
- 17
- 18